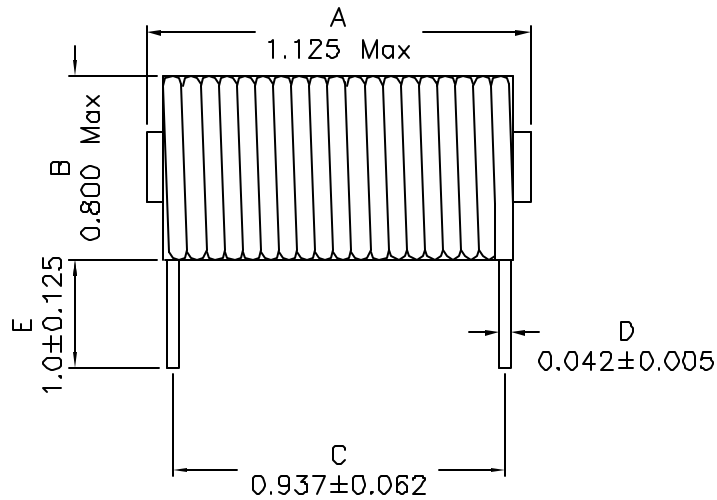


1. Mechanical Dimensions:



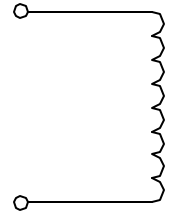
Leads tinned to within 1/8" of body

Notes:

1. Solderability: Leads shall meet MIL-STD-202, Method 208D for solderability.
2. Flammability: UL94V-0
3. ASTM oxygen index: > 28%
4. Insulation System: Class F 155°C, UL file E151556
5. Operating Temperature Range: All listed parameters are to be within tolerance from -40°C to +85°C
6. Storage Temperature Range: -55°C to +125°C
7. Aqueous wash compatible
8. SMD Lead Coplanarity: ±0.004*(0.102mm)
9. Moisture Sensitivity: Level 3
10. Electrical and mechanical specifications 100% tested
11. RoHS Compliant Component

DOC. REV. A/1

2. Schematic:



3. Electrical Specifications:

Inductance: 100uH±10% @1.0KHz,1.0V

DCR: 0.065 Ohms Max

Rated Current: 5.2A Max

Incremental Current: 6A reduces inductance by 10% or less

PROPRIETARY Document is the property of XFMRS Group & is not allowed to be duplicated without authorization.

XFMRS Inc www.XFMRS.com	Title: FILTER CHOKES		
	UNLESS OTHERWISE SPECIFIED TOLERANCES: xxx. ±0.010	P/N: XFAL2226-3-100	REV. A
Dimensions in INCH	DWN.	李小锋	Dec-15-04
SHEET 1 OF 1	CHK.	廖玉坤	Dec-15-04
	APP.	J Ng	Dec-15-04