

**Common Mode Filter**

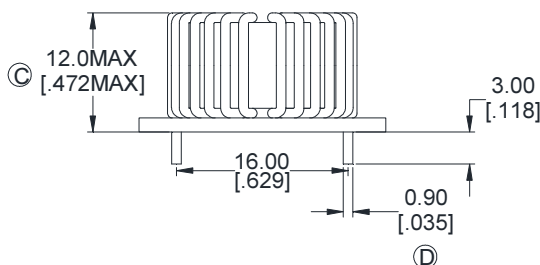
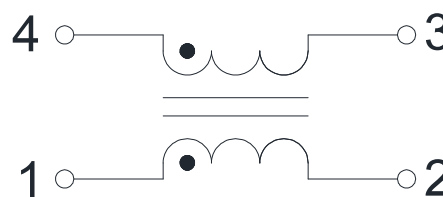
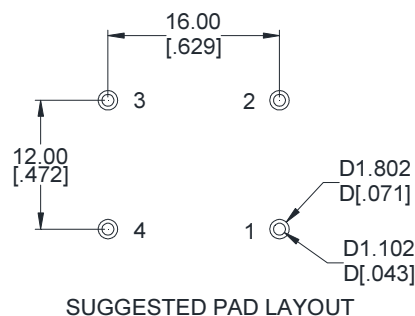
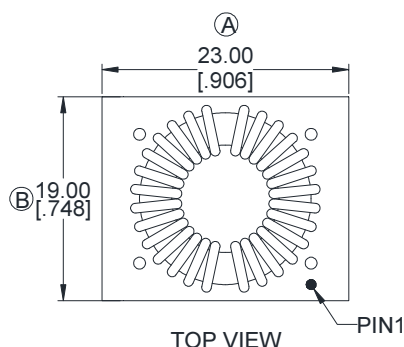
- RoHS Compliant
- Operating Temperature -40°C to +85°C
- 10A of Rated Current ( $\Delta T=55$  K)

**Electrical Specifications @25°C**

Inductance	PIN1-2 = 1.7mH Min. @ 10kHz/0.1V/Series
D.C.R.	PIN1-2 = 25 mohm Max.
	PIN4-3 = 25 mohm Max.
Turn Ratio	PIN1-2 : PIN4-3 = 1±2% :1
Hi-POT	500Vdc/1Seconds/1mA

**Dimensions**

(Units:  $\frac{\text{mm}}{\text{inches}}$  , Unless otherwise specified, all tolerances are  $\pm \frac{0.25}{[.010]}$  )



**Schematic**

**Mark**

1. Part Number----LTC0566
2. X----PRODUCT LINE OR BLANK
3. DATE CODE----YYWW
4. SS----50 OR BLANK
5. G----RoHS

**Package info**

LTC0566-50R – Tape reel

**Attenuation**

