

02 0274

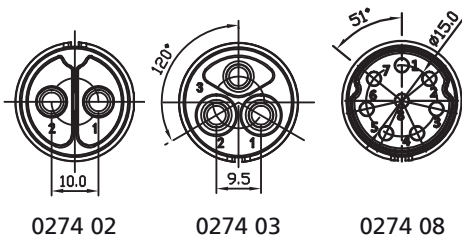
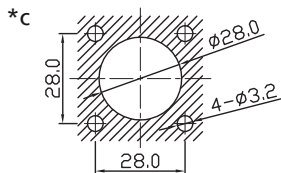
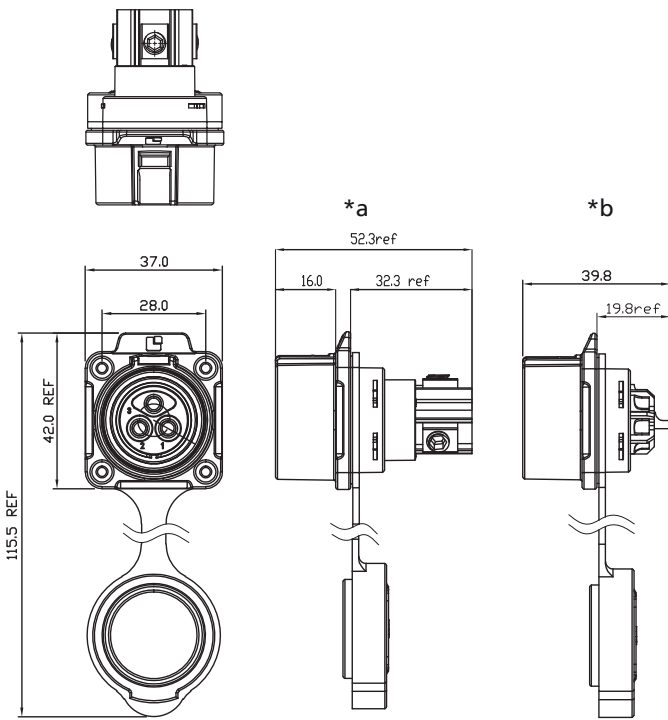
Quicklock circular connectors, IP67



Quicklock flange chassis socket, IP67, size 28, straight version, with metal housing, screw clamps (8-pole version with solder terminals) and protecting cap (IP65)

Approvals:  02/03 poles

02 0274



- *a 2 and 3 pole versions with screw clamps
- *b 8 pole version with solder contacts
- *c port

Environmental conditions

Temperature range -40 °C/+80 °C

Materials

Insulating body	PBT, V-0 according to UL94
Contact bush	CuZn, gold-plated
Housing	Zn alloy, chrome-plated
Cap	SI

Mechanical data

Mating cycles	1700
Insertion force	≤ 130 N
Withdrawal force	≤ 120 N
Protection class	IP67 (protecting cap IP65) ¹

¹ only in locked condition with an appropriate counterpart

Connectable conductors for screw clamp

Section	2.5–16.0 mm ² /AWG 14–6 (2–3 poles)
---------	--

Connectable conductors for solder area

Section	1.5–4.0 mm ² /AWG 16–12 (8 poles)
---------	--

Electrical data (at T_{amb} 20 °C)

Contact resistance	≤ 5 mΩ
Rated current	50 A (2 poles) 43 A (3 poles) 17 A (8 poles)
Rated voltage	500 V AC
Rated impulse voltage	≤ 2500 V
Creepage distance	≥ 2 mm
Clearance	≥ 2 mm
Insulation resistance	> 500 MΩ

Associated products

Counterparts
☞ 0254

02

0274

Designation	Pole Number	PU (Pieces)	MDQ (Pieces)
0274 02	2	4	20
0274 03	3	4	20
0274 08	8	4	20

Packaging:

in individual plastic bags, in a cardboard box