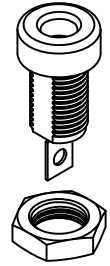
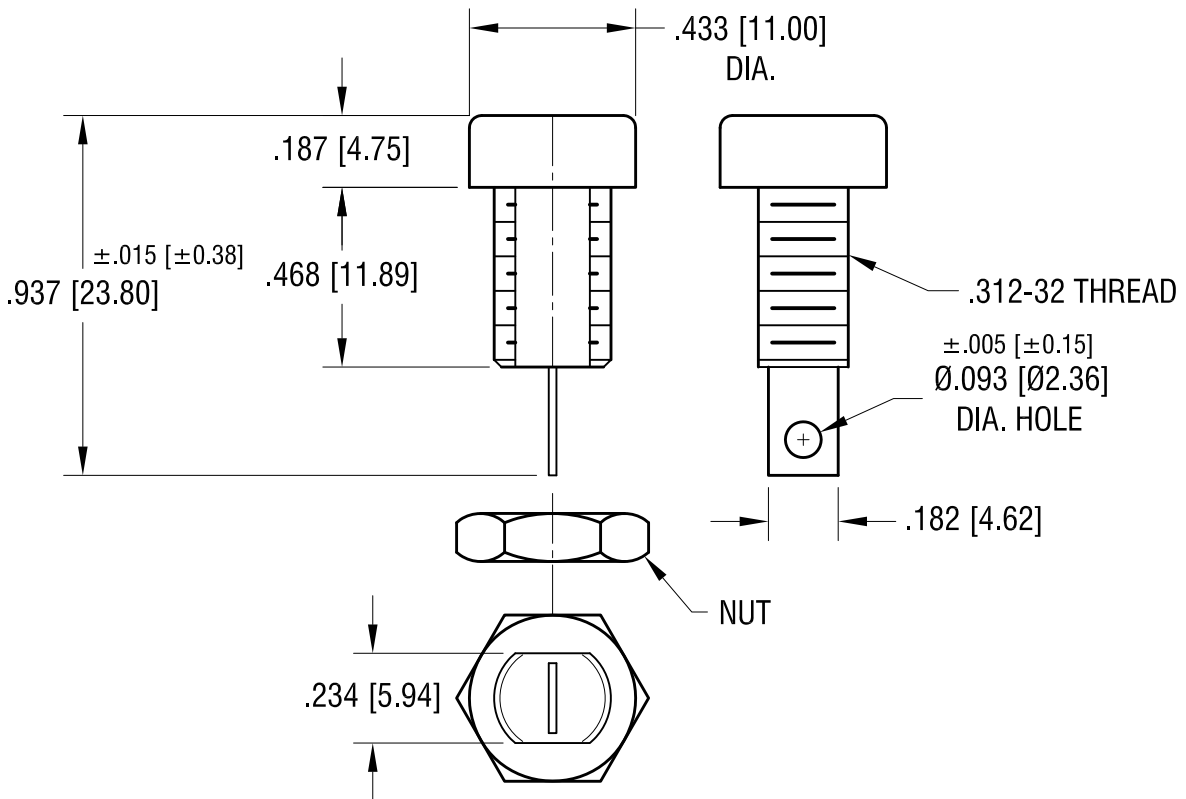
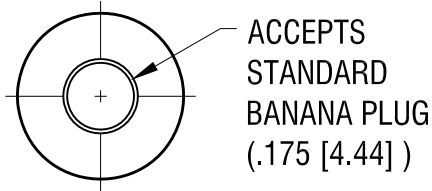
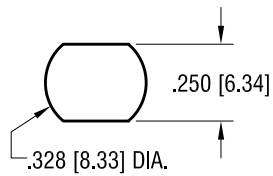


THIS DOCUMENT IS THE PROPERTY OF
KEYSTONE ELECTRONICS CORP. AND
SHALL NOT BE REPRODUCED, DISTRIBUTED
OR USED AS A BASIS FOR MANUFACTURE
WITHOUT PRIOR WRITTEN PERMISSION
FROM KEYSTONE ELECTRONICS CORP.

ACTUAL SIZE



MOUNTING DETAIL



NOTES:

- 1. BODY: MAT'L - NYLON (RED COLOR)
- SOLDER LUG: MAT'L - BRASS, TIN PLATE
- NUT: MAT'L - BRASS, NICKEL PLATE

DATE	DESCRIPTION	REV.
7.08.15	CHANGE AS PER ECN 15-067	C
1.06.14	CHANGE AS PER ECN 14-008	B
8.31.11	CHANGE AS PER ECN 11-120	A

KEYSTONE ELECTRONICS CORP.			
www.keyelco.com • ASTORIA, N.Y. 11105-2017 • Tel (718) 956-8900			
PART NAME		INSULATED BANANA JACK	
MATERIAL		AS NOTED	
FINISH	AS NOTED	DRN BY	BOONE
		DATE	1.11.06
		APP'D	LN
		SCALE	2X
TOLERANCES	INCH [MM]	CODE	DWG NO.
DECIMAL	± .010 [± 0.25]	C	6091
ANGULAR	± 1°		
UNLESS OTHERWISE SPECIFIED			