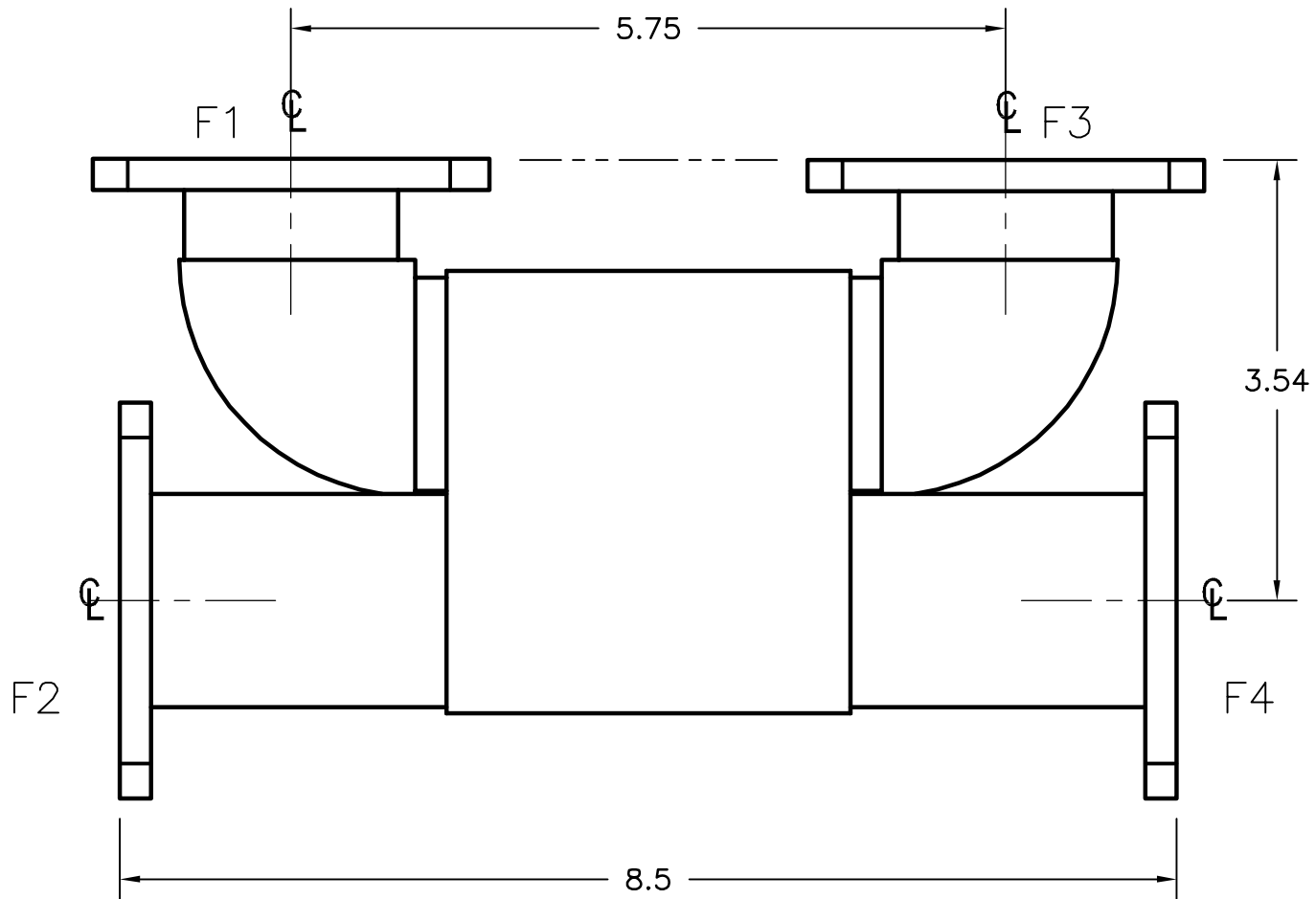


REV <b>A</b>	AUTH <b>JLE</b>	DATE <b>10/17/02</b>	INITIAL RELEASE
REV <b>B</b>	AUTH <b>RL</b>	DATE <b>10/30/06</b>	FREQ. NOTES CORRECTED; ILLUSTRATION, FORMAT UPDATED.



FLANGE TYPE
1 = CPRG
2 = CPRF

FREQUENCY	MODEL
5.40–5.90 GHz	159–261A–Z–F1–F2–F3–F4
5.90–6.50 GHz	159–262A–Z–F1–F2–F3–F4

NOTE: REPLACE "F1, F2, F3, & F4" NOTATION WITH NUMBER CORRESPONDING TO FLANGE TYPE DESIRED, AS SHOWN ON TABLE ABOVE.

THIRD ANGLE PROJECTION:		APPROVALS	DATE	<b>ADVANCED TECHNICAL MATERIALS, INC.</b> TEL: (631) 289-0363 FAX: (631) 289-0358 www.atmmicrowave.com	<small>THE INFORMATION IN THIS DRAWING IS PROPRIETARY AND SHALL NOT BE USED OR DISCLOSED WITHOUT THE PRIOR WRITTEN CONSENT OF ATM, INC. DO NOT SCALE DWG.</small>		
UNLESS OTHERWISE NOTED, DIMENSIONS ARE IN INCHES, TOLERANCES ARE: FRACTIONS: ±1/64 ANGLES: ±1/2°		DRAWN <b>JLE</b>	<b>10/17/02</b>				
BASIC DIMENSION	DECIMALS 2 PLACE   3 PLACE	APRVD.		<b>OUTLINE, WR159</b> <b>'Z'-STYLE COMBINER-DIVIDER (HYBRID-COUP.)</b>			
UNDER 6"	<b>±.02</b>   <b>±.005</b>	MATERIAL <b>PER ORDER</b>					
6" – 12"	<b>±.03</b>   <b>±.010</b>	TREATMENT <b>-</b>					
OVER 12"	<b>±.06</b>   <b>±.015</b>	FINISH <b>ATM STD. GRAY</b>		SIZE <b>A</b>	CAGE CODE <b>0R8N4</b>	ATM DWG # <b>5233W</b>	REVISION <b>B</b>
				SCALE <b>NONE</b>	MODEL # <b>159-26XX-Z-F1-F2-F3-F4</b>	SHEET <b>1/1</b>	