

**PLEASE CHECK WWW.MOLEX.COM FOR LATEST PART INFORMATION**

**Part Number:** [0432026101](#)  
**Status:** **Active**  
**Overview:** [modular\\_plugs\\_jacks](#)  
**Description:** Modular Jack, Right Angle, Low Profile, 6/6

**Documents:**

[3D Model](#) [Product Specification PS-43202-001 \(PDF\)](#)  
[Drawing \(PDF\)](#) [RoHS Certificate of Compliance \(PDF\)](#)

**Agency Certification**

CSA LR19980  
 UL E107635

**General**

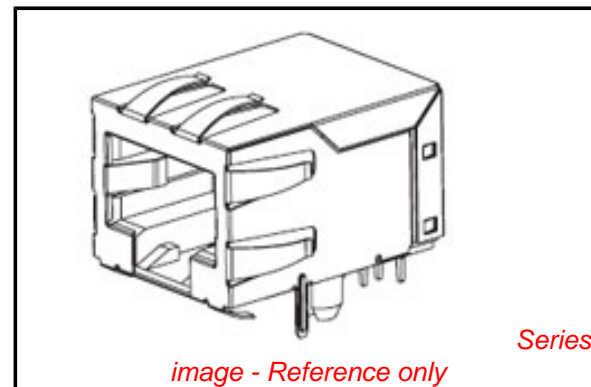
Product Family Modular Jacks/Plugs  
 Series [43202](#)  
 Comments Enhanced panel grounding tabs  
 Component Type PCB Jack  
 Magnetic No  
 Overview [modular\\_plugs\\_jacks](#)  
 Performance Category 3, 4  
 Power over Ethernet (PoE) N/A  
 Product Name RJ11

**Physical**

Color - Resin Black  
 Durability (mating cycles max) 500  
 Flammability 94V-0  
 Inverted / Top Latch No  
 Lightpipes/LEDs None  
 Material - Metal Phosphor Bronze  
 Material - Plating Mating Gold  
 Material - Plating Termination Tin  
 Material - Resin High Temperature Thermoplastic  
 Orientation Right Angle (Side Entry)  
 PCB Retention Yes  
 PCB Thickness Recommended (in) 0.062 In  
 PCB Thickness Recommended (mm) 1.60 mm  
 Packaging Type Tray  
 Pitch - Mating Interface (in) 0.050 In  
 Pitch - Mating Interface (mm) 1.27 mm  
 Plating min: Mating (µin) 50  
 Plating min: Mating (µm) 1.25  
 Plating min: Termination (µin) 100  
 Plating min: Termination (µm) 2.5  
 Ports 1  
 Positions / Loaded Contacts 6/6  
 Surface Mount Compatible (SMC) Yes  
 Temperature Range - Operating -40°C to +85°C  
 Termination Interface: Style Through Hole  
 Wire/Cable Type N/A

**Electrical**

Current - Maximum per Contact 1.5A  
 Shielded No  
 Voltage - Maximum 125V



**EU RoHS**

**ELV and RoHS  
 Compliant**  
**REACH SVHC  
 Contains SVHC: No**  
**Halogen-Free  
 Status**

**China RoHS**



**Need more information on product  
 environmental compliance?**

Email [productcompliance@molex.com](mailto:productcompliance@molex.com)  
 For a multiple part number RoHS Certificate of  
 Compliance, [click here](#)

Please visit the [Contact Us](#) section for any  
 non-product compliance questions.

**Search Parts in this Series**

[43202Series](#)

**Mates With**

FCC 68 Plugs

**Solder Process Data**

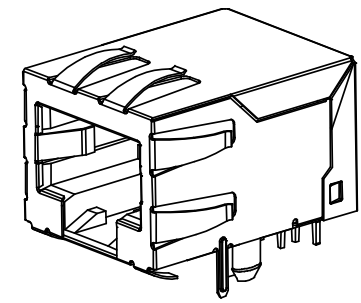
|  |                        |
|--|------------------------|
| Duration at Max. Process Temperature (seconds) | 5                      |
| Lead-free Process Capability                   | Wave Capable (TH only) |
| Max. Cycles at Max. Process Temperature        | 1                      |
| Process Temperature max. C                     | 260                    |

**Material Info****Reference - Drawing Numbers**

|                         |                             |
|-------------------------|-----------------------------|
| Packaging Specification | PK-43202-003                |
| Product Specification   | PS-43202-001, RPS-43202-002 |
| Sales Drawing           | SDA-43202                   |

This document was generated on 06/07/2010

**PLEASE CHECK [WWW.MOLEX.COM](http://WWW.MOLEX.COM) FOR LATEST PART INFORMATION**



SHIELDED MODULAR JACK SHOWN WITH PANEL GROUND OPTION 'D' AND FRONT PCB GROUND TABS.

NOTES:

- 1) MATERIAL:
  - HOUSING: NYLON(PA), GLASS FILLED, UL94V-0, COLOR: SEE SHEETS 5 AND 6
  - INSULATOR: NYLON(PA), GLASS FILLED, UL94V-0, COLOR: SEE SHEETS 5 AND 6
  - TERMINALS: PHOSPHOR BRONZE, .012/ 0.30 THICK
  - SHIELD: BRASS, .007/ 0.18 THICK
- 2) FINISH:
  - TERMINALS:
    - A = SELECT GOLD IN CONTACT AREA: 50 MICROINCHES / 1.27 MICROMETERS MIN., \*SELECT TIN IN PC TAIL AREA: 100 MICROINCHES / 2.54 MICROMETERS MIN., WITH OVERALL NICKEL UNDERPLATE: 50 MICROINCHES / 1.27 MICROMETERS MIN.
    - B = SELECT GOLD IN CONTACT AREA: 30 MICROINCHES / 0.76 MICROMETERS MIN., \*SELECT TIN IN PC TAIL AREA: 100 MICROINCHES / 2.54 MICROMETERS MIN., WITH OVERALL NICKEL UNDERPLATE: 50 MICROINCHES / 1.27 MICROMETERS MIN.
    - \*THE PRIMARY SHIPPING CARTON WILL BE LABELED "COMPLIANT TO RoHS DIRECTIVE 2002/95/EC AND ELV ANNEX II OF DIRECTIVE 2000/53/EC". CARTONS WITHOUT THIS LABEL MAY CONTAIN PRODUCT WITH TIN-LEAD IN THE PC TAILS AND/OR SHIELD.
  - SHIELD:
    - 100 MICROINCHES / 2.54 MICROMETERS NICKEL OVER 50 MICROINCHES / 1.27 MICROMETERS COPPER UNDERPLATE PCB GROUND TABS DIPPED IN TIN
- 3) PRODUCT SPECIFICATION AND PROCESSING PARAMETERS: PS-43202.
- 4) PACKAGING SPECIFICATION:
  - UNSHIELDED CONNECTOR ASSEMBLIES PACKAGED IN THERMOFORMED TRAYS PER MOLEX PACKAGING SPECIFICATION PK-43202-003.
  - UNSHIELDED CONNECTOR ASSEMBLIES PACKAGED IN TUBES PER MOLEX PACKAGING SPECIFICATION PK-43202-005.
  - SHIELDED CONNECTOR ASSEMBLIES PACKAGED IN THERMOFORMED TRAYS PER MOLEX PACKAGING SPECIFICATION PK-43202-004.
- 5) SEE SHEETS 7 - 9 FOR P.C. BOARD LAYOUTS.
- 6) CONFORMS TO FCC REGULATION PART 68.5 FOR MODULAR JACKS.
- 7) THIS PART CONFORMS TO CLASS B REQUIREMENTS OF COSMETIC SPECIFICATION PS-45499-002.

|    |     |
|----|-----|
| 9  | L2  |
| 8  | L2  |
| 7  | L2  |
| 6  | L4  |
| 5  | L   |
| 4  | K2  |
| 3  | L1  |
| 2  | L1  |
| 1  | L4  |
| SH | REV |

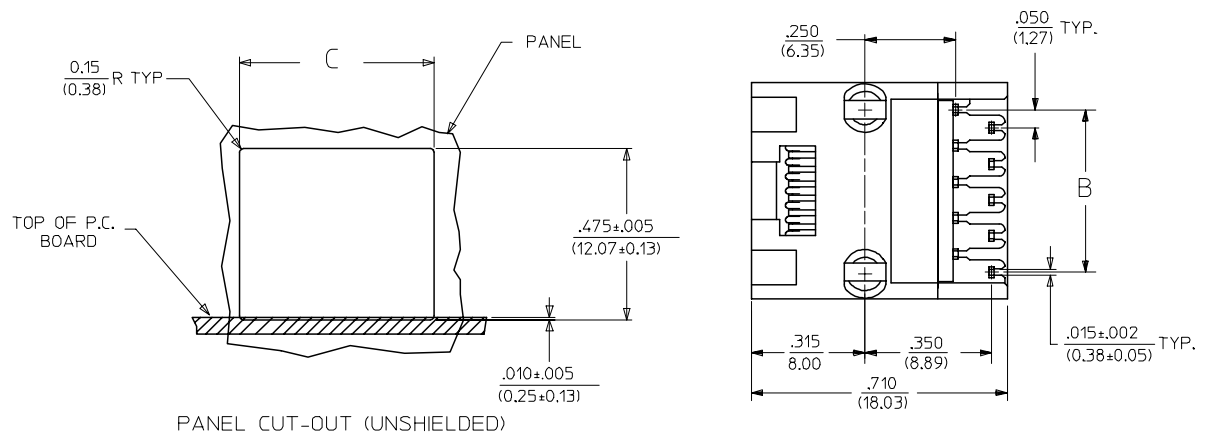
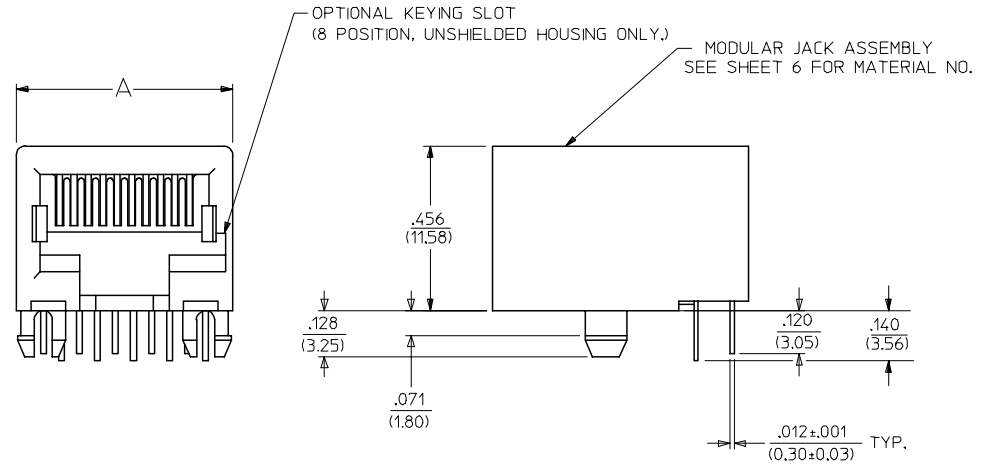
DRAWING LEGEND

- SHEET 1- NOTES, DRAWING LEGEND
- SHEET 2- SHIELDED MODULAR JACK W/ BOTTOM GROUND TABS
- SHEET 3- SHIELDED MODULAR JACK W/O BOTTOM GROUND TABS
- SHEET 4- UNSHIELDED MODULAR JACK
- SHEET 5- PART NUMBER CHARTS
- SHEET 6- PART NUMBER CHARTS
- SHEET 7- FOOTPRINT LAYOUT FOR 4 POSITION HOUSING
- SHEET 8- FOOTPRINT LAYOUT FOR 6 POSITION HOUSING
- SHEET 9- FOOTPRINT LAYOUT FOR 8 POSITION HOUSING

|  |  |                                       |                       |   |                      |                                    |                        |   |
|--|--|---------------------------------------|-----------------------|---|----------------------|------------------------------------|------------------------|---|
| OBS COLORED JACKS<br>EC NO: UCP2008-1189<br>DRAWN:JBELL 2007/11/30<br>CHKD:LSCHMIDT 2008/02/20<br>APPR:FSM/TH 2008/03/04 | QUALITY SYMBOLS                                      | GENERAL TOLERANCES (UNLESS SPECIFIED) |                       | DIMENSION STYLE   | SCALE                | DESIGN UNITS                       | THIRD ANGLE PROJECTION |   |
|  | ▼=0<br>▽=0   | mm                                    | INCH                  | IN/MM   | 4:1                  | INCH                               |                        |   |
|  |  | 4 PLACES ± --- ± ---                  | 3 PLACES ± --- ± .010 | 2 PLACES ± 0.25 ± .014  | 1 PLACE ± 0.36 ± --- | DRAWN BY DATE<br>JTR 1993/03/31    |                        | TITLE<br><b>ULTRA LOW PROFILE<br/>RIGHT ANGLE MODULAR JACK<br/>ASSEMBLY</b> |
|  |  | ANGULAR ±1/2°                         |                       | CHECKED BY DATE<br>JTR 1993/03/31   |                      | APPROVED BY DATE<br>RAS 1993/03/31 |                        |   |
|  | DRAFT WHERE APPLICABLE MUST REMAIN WITHIN DIMENSIONS |                                       | MATERIAL NO.          | SEE SHTS 5&6  | DOCUMENT NO.         |                                    | SHEET NO.              |   |
| L4   | REV  |                                       |                       | THIS DRAWING CONTAINS INFORMATION THAT IS PROPRIETARY TO MOLEX INCORPORATED AND SHOULD NOT BE USED WITHOUT WRITTEN PERMISSION |                      | SDA-43202                          |                        | 1 OF 9  |

# UNSHIELDED MODULAR JACKS

SIZE 8, LOADED 10 SHOWN



PANEL CUT-OUT (UNSHIELDED)

| HOUSING SIZE | LOADED CIRCUITS | A               | B                         | C                         |
|--------------|-----------------|-----------------|---------------------------|---------------------------|
| 4            | 4               | .440<br>(11.18) | .150±.005<br>(3.81±0.13)  | .460±.005<br>(11.68±0.13) |
| 4            | 2               | .440<br>(11.18) | .050±.005<br>(1.27±0.13)  | .460±.005<br>(11.68±0.13) |
| 6            | 6               | .520<br>(13.21) | .250±.005<br>(6.35±0.13)  | .540±.005<br>(13.72±0.13) |
| 6            | 4               | .520<br>(13.21) | .150±.005<br>(3.81±0.13)  | .540±.005<br>(13.72±0.13) |
| 6            | 2               | .520<br>(13.21) | .050±.005<br>(1.27±0.13)  | .540±.005<br>(13.72±0.13) |
| 8            | 10              | .600<br>(15.24) | .450±.005<br>(11.43±0.13) | .620±.005<br>(15.75±0.13) |
| 8            | 8               | .600<br>(15.24) | .350±.005<br>(8.89±0.13)  | .620±.005<br>(15.75±0.13) |
| 8            | 6               | .600<br>(15.24) | .250±.005<br>(6.35±0.13)  | .620±.005<br>(15.75±0.13) |
| 8            | 4               | .600<br>(15.24) | .150±.005<br>(3.81±0.13)  | .620±.005<br>(15.75±0.13) |
| 8            | 2               | .600<br>(15.24) | .050±.005<br>(1.27±0.13)  | .620±.005<br>(15.75±0.13) |


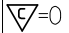

|   |                             |  |  |                                    |                      |  |   |                     |
|---|-----------------------------|--|--|------------------------------------|----------------------|--|---|---------------------|
| SEE SHEET ONE<br>FC NO: UCP2004-1194<br>DRWN: LSCHMIDT 2004/01/02<br>CHKD: LSCHMIDT 2004/01/05<br>APPR: ESMITH 2004/01/09<br>K2 | QUALITY SYMBOLS<br>-0<br>-0 | GENERAL TOLERANCES (UNLESS SPECIFIED)  |  | SCALE<br>4:1                       | DESIGN UNITS<br>INCH | THIRD ANGLE PROJECTION<br>REVISE ON CAD ONLY | ULTRA LOW PROFILE<br>RIGHT ANGLE MODULAR JACK<br>ASSEMBLY |                     |
|   |                             | DIMENSION STYLE<br>IN/MM   |  | DRAWN BY DATE<br>JTR 1993/03/31    |                      |  |   |                     |
|   |                             | 4 PLACES ± --- ± ---<br>3 PLACES ± --- ± .010<br>2 PLACES ± 0.25 ± .014<br>1 PLACE ± 0.36 ± ---                                  |  | CHECKED BY DATE<br>JTR 1993/03/31  |                      |  |   |                     |
|   |                             | ANGULAR ±1/2°  |  | APPROVED BY DATE<br>RAS 1993/03/31 |                      |  |   |                     |
| DRAFT WHERE APPLICABLE<br>MUST REMAIN WITHIN DIMENSIONS   |                             | THIS DRAWING CONTAINS INFORMATION THAT IS PROPRIETARY TO MOLEX<br>INCORPORATED AND SHOULD NOT BE USED WITHOUT WRITTEN PERMISSION |  | MOLEX MOLEX INCORPORATED           |                      | MATERIAL NO.<br>SEE SHT 6                    | DOCUMENT NO.<br>SDA-43202                                 | SHEET NO.<br>4 OF 9 |

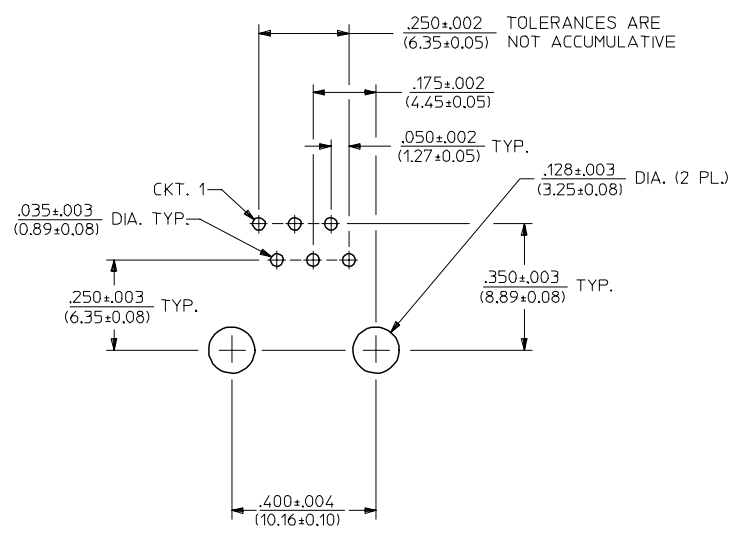
SHIELDED MODULAR JACKS W/O BOTTOM GROUND TABS (SHEET 3)

UNSHIELDED MODULAR JACKS- (SHEET 4)

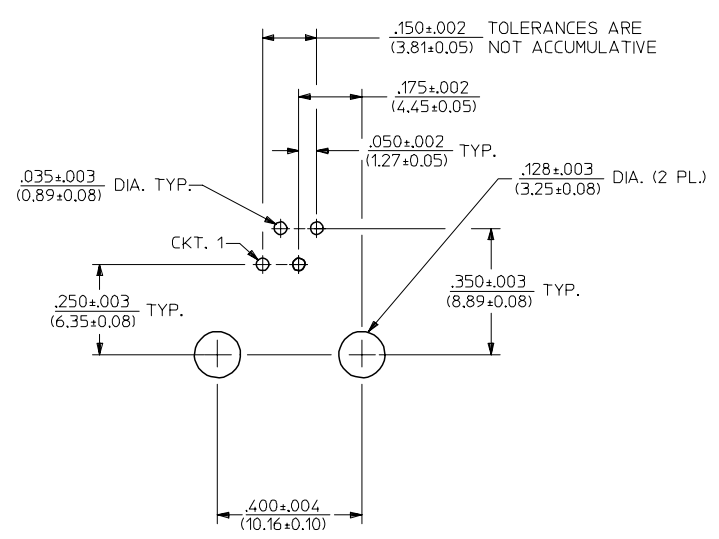
| ASSEMBLY MATERIAL NUMBER | CONNECTOR SIZE | NUMBER OF CIRCUITS | SIDE/TOP PANEL GROUND TAB OPTION | PCB GROUND TAB OPTION | TERMINAL PLATING OPTION | PACKAGING | HOUSING COLOR |
|--------------------------|----------------|--------------------|----------------------------------|-----------------------|-------------------------|-----------|---------------|
| 43202-8800               | 8              | 10                 | E                                | FRONT POSITION        | A                       | TRAY      | BLACK         |
| 43202-8801               | 8              | 10                 | F                                | FRONT POSITION        | A                       | TRAY      |               |
| 43202-8802               | 8              | 10                 | G                                | FRONT POSITION        | A                       | TRAY      |               |
| 43202-8803               | 8              | 10                 | H                                | FRONT POSITION        | A                       | TRAY      |               |
| 43202-8808               | 8              | 10                 | E                                | REAR POSITION         | A                       | TRAY      |               |
| 43202-8809               | 8              | 10                 | F                                | REAR POSITION         | A                       | TRAY      |               |
| 43202-8810               | 8              | 10                 | G                                | REAR POSITION         | A                       | TRAY      |               |
| 43202-8811               | 8              | 10                 | H                                | REAR POSITION         | A                       | TRAY      |               |
| 43202-8816               | 8              | 8                  | E                                | FRONT POSITION        | A                       | TRAY      |               |
| 43202-8817               | 8              | 8                  | F                                | FRONT POSITION        | A                       | TRAY      |               |
| 43202-8818               | 8              | 8                  | G                                | FRONT POSITION        | A                       | TRAY      |               |
| 43202-8819               | 8              | 8                  | H                                | FRONT POSITION        | A                       | TRAY      |               |
| 43202-8824               | 8              | 8                  | E                                | REAR POSITION         | A                       | TRAY      |               |
| 43202-8825               | 8              | 8                  | F                                | REAR POSITION         | A                       | TRAY      |               |
| 43202-8826               | 8              | 8                  | G                                | REAR POSITION         | A                       | TRAY      |               |
| 43202-8827               | 8              | 8                  | H                                | REAR POSITION         | A                       | TRAY      |               |

| ASSEMBLY MATERIAL NUMBER | CONNECTOR SIZE | NUMBER OF CIRCUITS | TERMINAL PLATING OPTION | KEYING OPTION | PACKAGING OPTION | HOUSING COLOR |
|--------------------------|----------------|--------------------|-------------------------|---------------|------------------|---------------|
| 43202-4101               | 4              | 4                  | A                       | NO            | TRAY             | BLACK         |
| 43202-4104               | 4              | 2                  | A                       | NO            | TRAY             |               |
| 43202-6101               | 6              | 6                  | A                       | NO            | TRAY             |               |
| 43202-6102               | 6              | 6                  | B                       | NO            | TRAY             |               |
| 43202-6104               | 6              | 4                  | A                       | NO            | TRAY             |               |
| 43202-6105               | 6              | 4                  | B                       | NO            | TRAY             |               |
| 43202-6107               | 6              | 2                  | A                       | NO            | TRAY             |               |
| 43202-6110               | 6              | 6                  | B                       | NO            | TUBE             |               |
| 43202-8101               | 8              | 10                 | A                       | NO            | TRAY             |               |
| 43202-8104               | 8              | 8                  | A                       | NO            | TRAY             |               |
| 43202-8105               | 8              | 8                  | B                       | NO            | TRAY             |               |
| 43202-8113               | 8              | 8                  | A                       | YES           | TRAY             |               |
| 43202-8116               | 8              | 6                  | A                       | NO            | TRAY             |               |
| 43202-8119               | 8              | 4                  | A                       | NO            | TRAY             |               |
| 43202-8122               | 8              | 2                  | A                       | NO            | TRAY             |               |
| 43202-8504               | 8              | 8                  | A                       | NO            | TUBE             |               |
| 43202-8513               | 8              | 8                  | A                       | YES           | TUBE             |               |

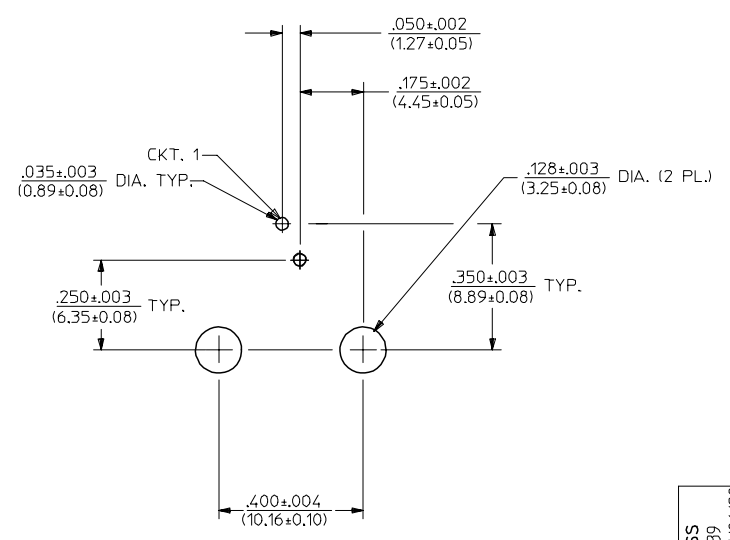
|  |   |  |                       |                          |                      |                |                      |  |  |  |
|--|---|--|-----------------------|--------------------------|----------------------|----------------|----------------------|--|--|--|
| <b>OBS COLORED JACKS</b><br>EC NO: UCP2008-1189<br>DRWN:JBELL 2007/11/30<br>CHKD:LSCHMIDT 2008/02/20<br>APPR:FSM1TH 2008/03/04 | QUALITY SYMBOLS<br> = 0<br> = 0.010 | GENERAL TOLERANCES (UNLESS SPECIFIED)                      |                       | DIMENSION STYLE<br>IN/MM |                      | SCALE<br>4:1   | DESIGN UNITS<br>INCH |  THIRD ANGLE PROJECTION |  |  |
|  |   | 4 PLACES ± --- ± ---                                       | 3 PLACES ± --- ± .010 | 2 PLACES ± 0.25 ± .014   | 1 PLACE ± 0.36 ± --- | ANGULAR ± 1/2° | DRAWN BY<br>JBS      | DATE<br>2000/10/03   | TITLE<br>ULTRA LOW PROFILE<br>RIGHT ANGLE MODULAR JACK<br>ASSEMBLY |  |
|  |   | DRAFT WHERE APPLICABLE<br>MUST REMAIN<br>WITHIN DIMENSIONS |                       |                          |                      |                | APPROVED BY<br>BW    | DATE<br>2000/10/03   | MOLEX INCORPORATED   |  |
|  |   | SEE CHART  |                       |                          |                      |                | MATERIAL NO.         | DOCUMENT NO.   | SDA-43202  |  |



PC BOARD LAYOUT FOR 6 POSITION HOUSING  
(6 CIRCUIT FOOT PRINT SHOWN)  
(COMPONENT SIDE OF BOARD)



PC BOARD LAYOUT FOR 6 POSITION HOUSING  
(4 CIRCUIT FOOT PRINT SHOWN)  
(COMPONENT SIDE OF BOARD)



PC BOARD LAYOUT FOR 6 POSITION HOUSING  
(2 CIRCUIT FOOT PRINT SHOWN)  
(COMPONENT SIDE OF BOARD)

NOTES:  
1. RECOMMENDED PCB THICKNESS: .062±.005/(1.57±0.13)

|  |                 |                                       |   |                       |                        |   |  |
|--|-----------------|---------------------------------------|---|-----------------------|------------------------|---|--|
| ADD PCB THICKNESS<br>EC NO: UCP2005-2739<br>DRWN:L.SCHMIDT 2005/06/20<br>CHKD:ELHAG 2005/06/22<br>APPR:FSMITH 2005/06/23<br>L2 | QUALITY SYMBOLS | GENERAL TOLERANCES (UNLESS SPECIFIED) | SCALE 4:1   | DESIGN UNITS INCH     | THIRD ANGLE PROJECTION | REVISE ON CAD ONLY                                  |  |
|  | DESCRIPTION     | mm                                    | INCH  | DIMENSION STYLE IN/MM | TITLE                  |   |  |
|  |                 | 4 PLACES ±.005                        | ±.005   | DRAWN BY L.E.LENZ     | DATE 1995/03/09        | ULTRA LOW PROFILE RIGHT ANGLE MODULAR JACK ASSEMBLY |  |
|  |                 | 3 PLACES ±.010                        | ±.010   | CHECKED BY JTR        | DATE 1995/03/09        | MOLEX MOLEX INCORPORATED                            |  |
|  | 2 PLACES ±0.25  | ±.014                                 | APPROVED BY RAS   | DATE 1995/03/09       | MATERIAL NO. SEE SHT 6 | DOCUMENT NO. SDA-43202                              |  |
|  | 1 PLACE ±0.36   | ±.014                                 | DRAFT WHERE APPLICABLE MUST REMAIN WITHIN DIMENSIONS  |                       | SHEET NO. 8 OF 9       |   |  |
|  |                 | ANGULAR ±1/2°                         | THIS DRAWING CONTAINS INFORMATION THAT IS PROPRIETARY TO MOLEX INCORPORATED AND SHOULD NOT BE USED WITHOUT WRITTEN PERMISSION |                       |                        |   |  |