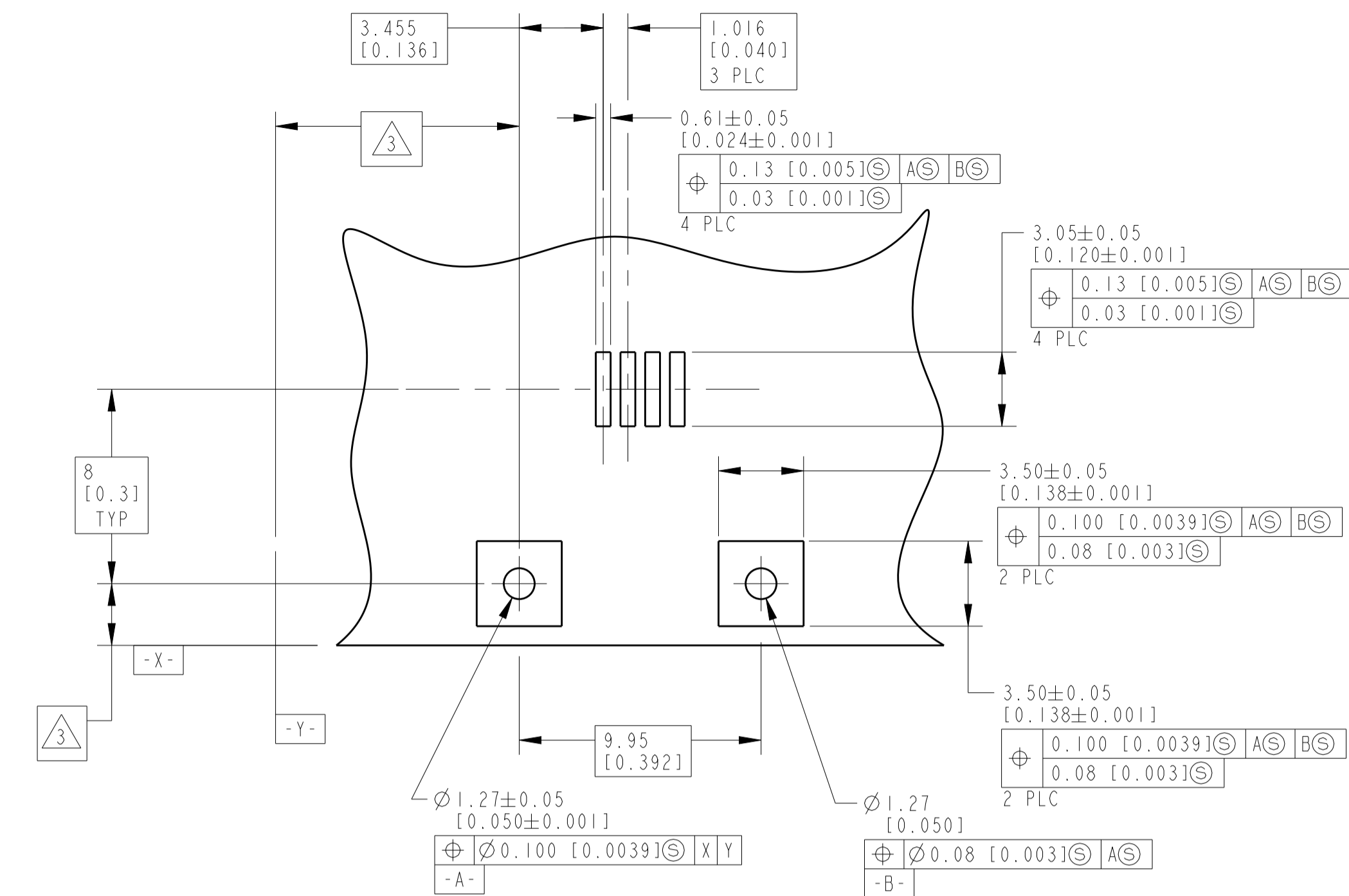
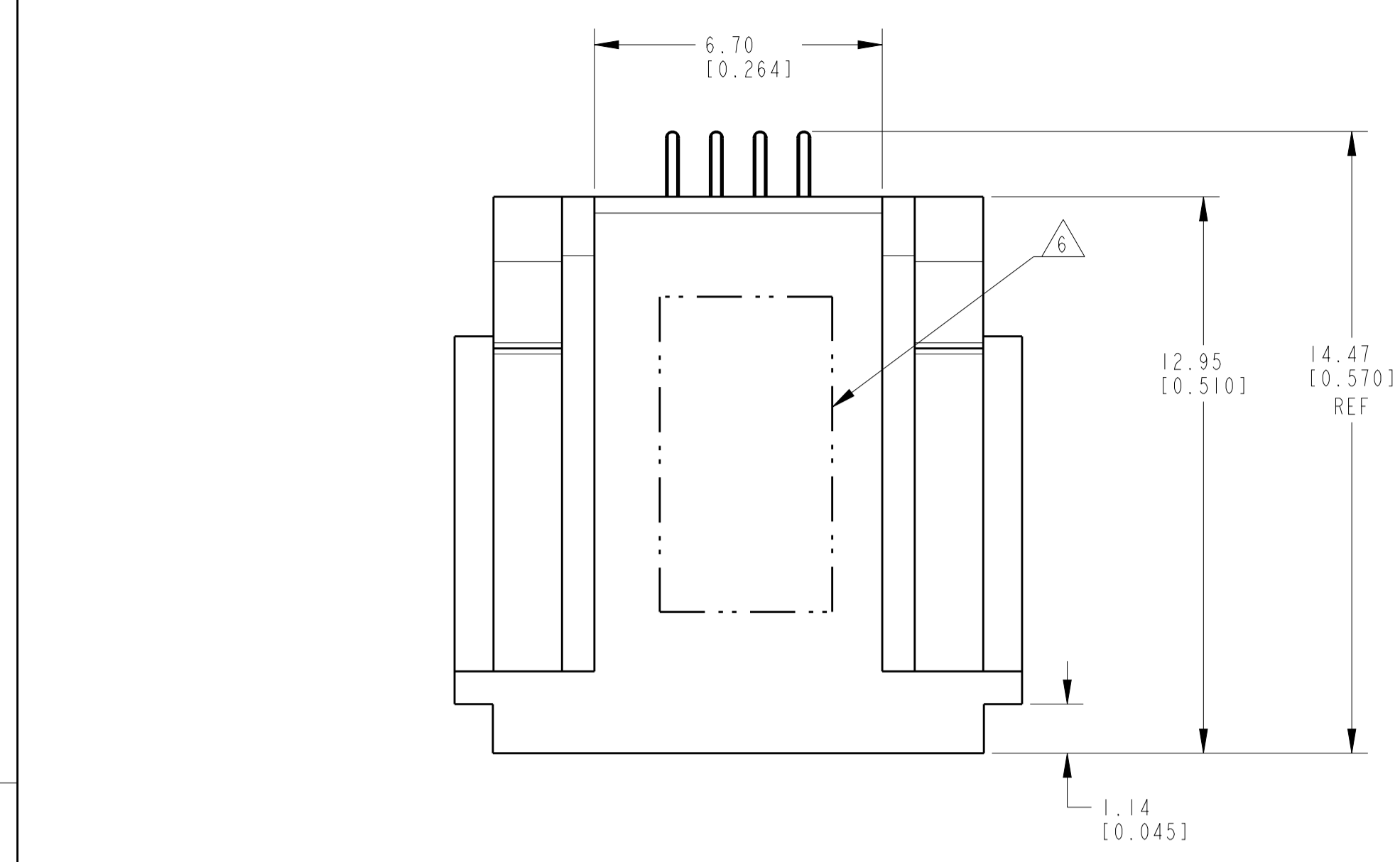
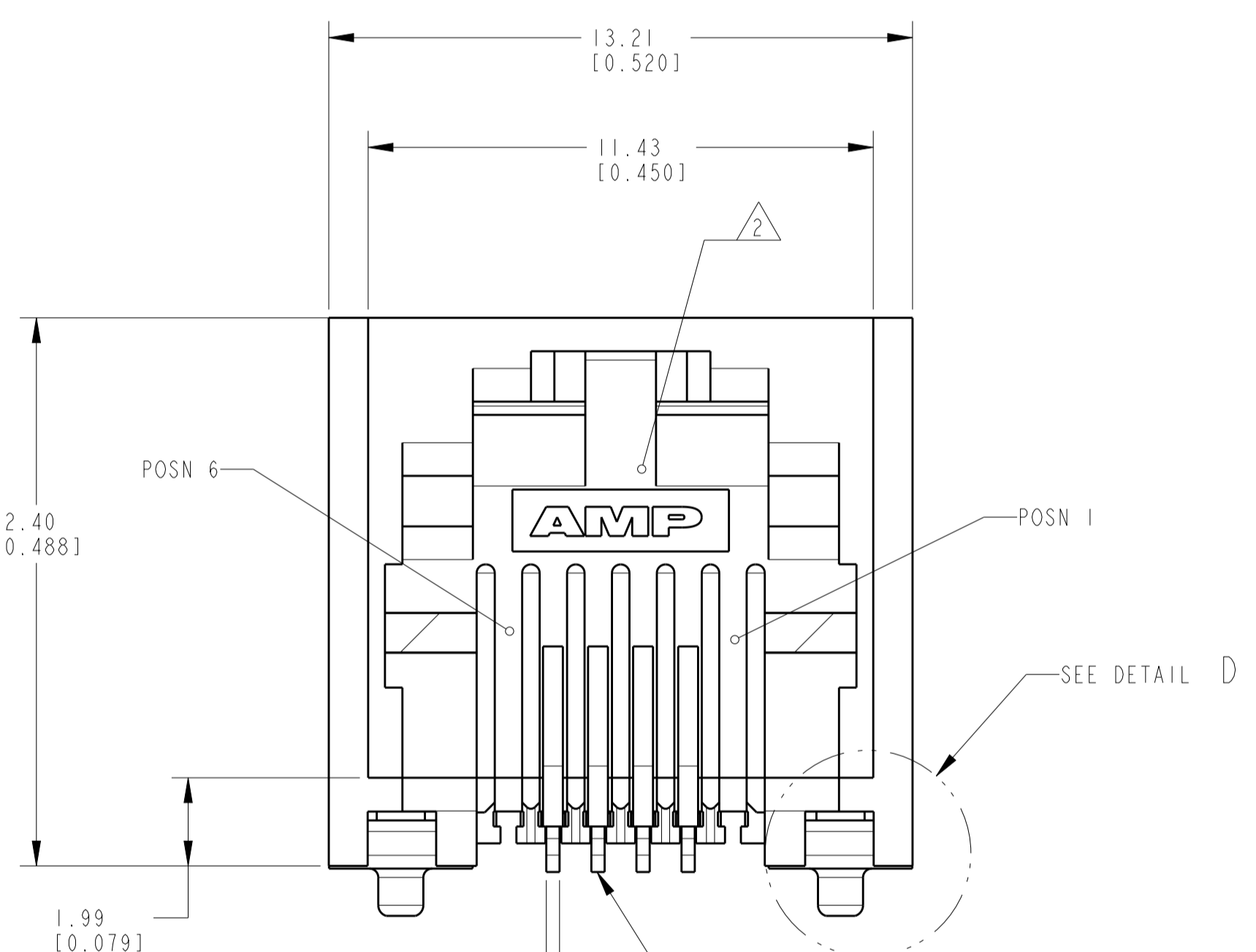


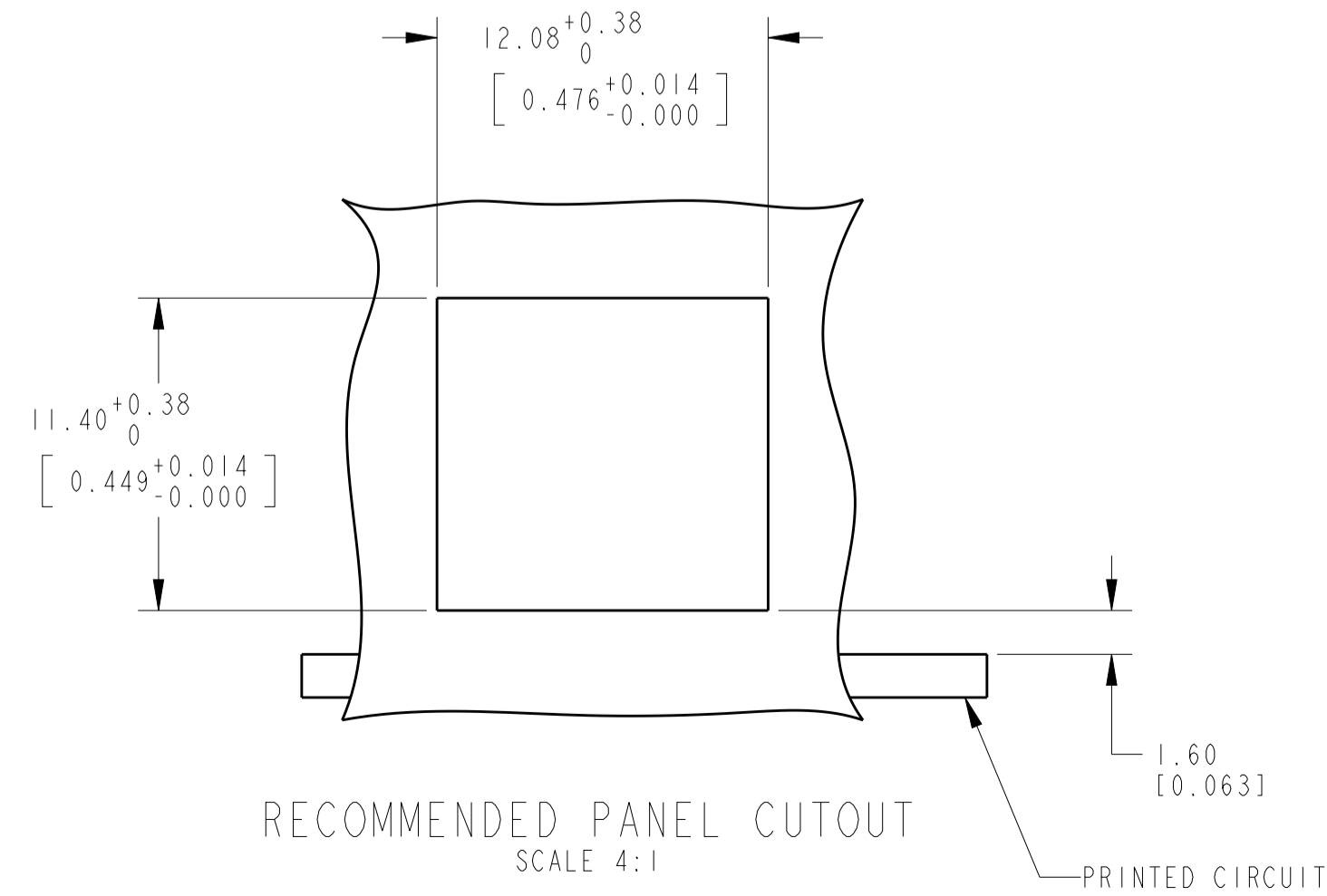
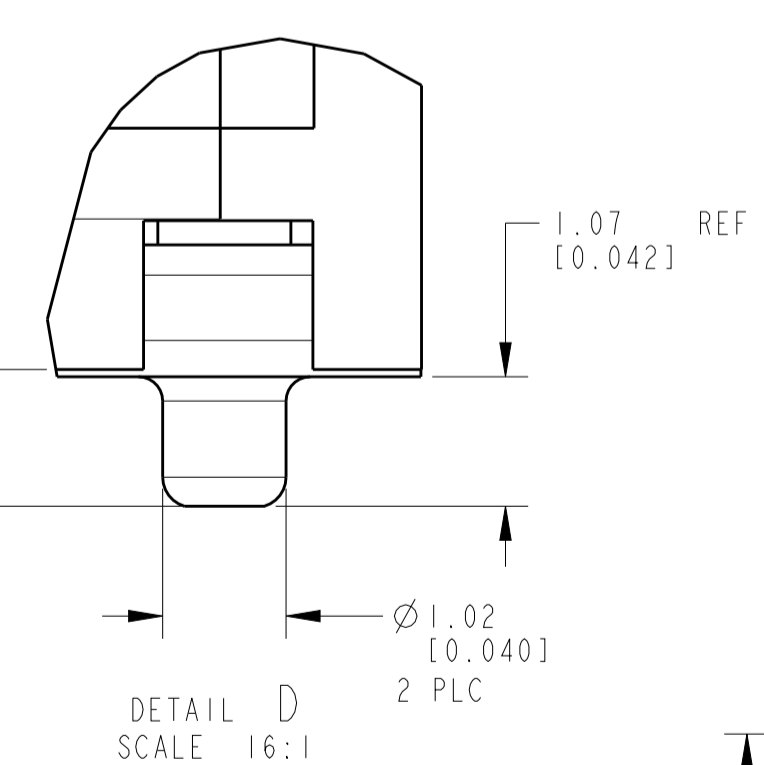
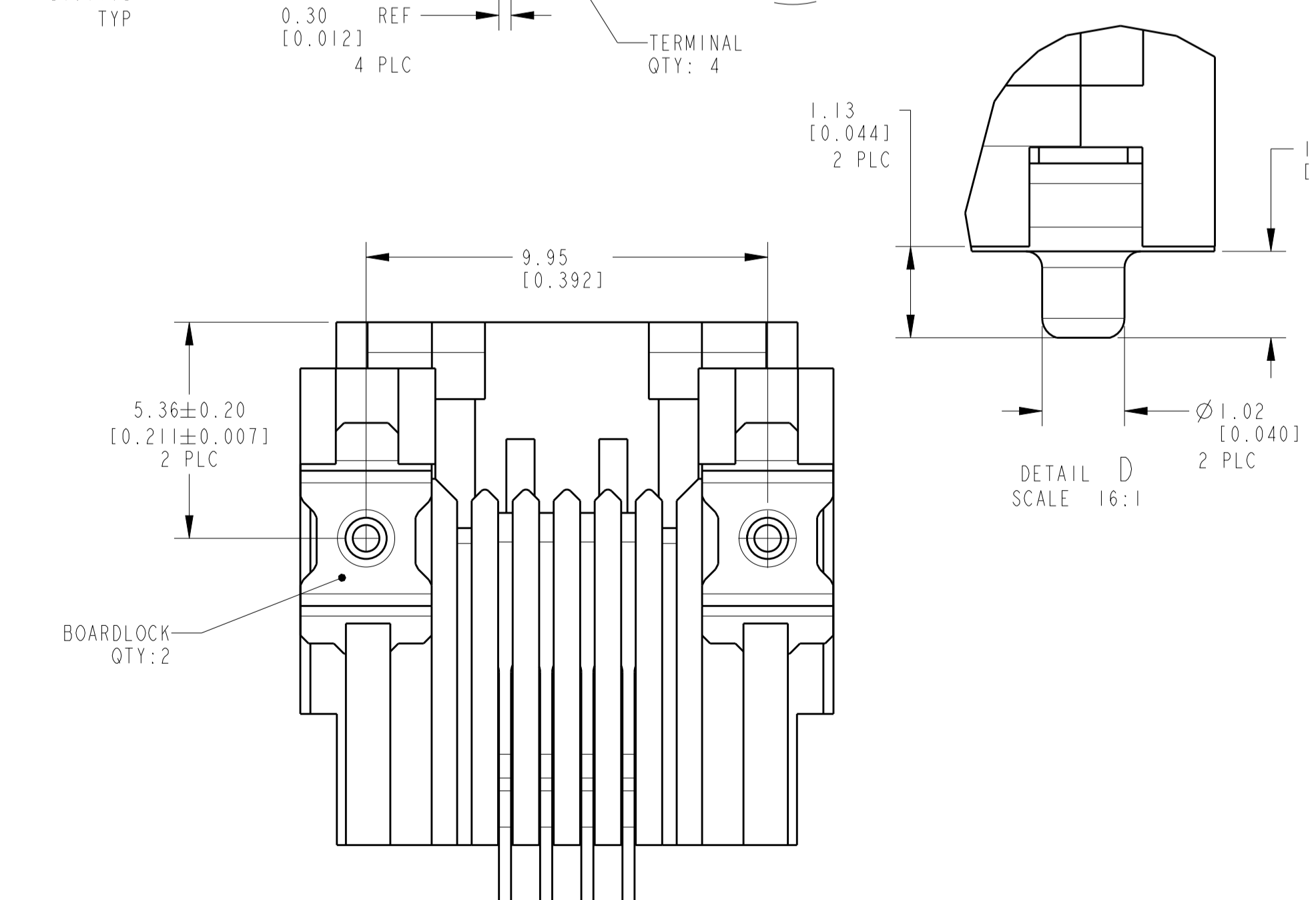
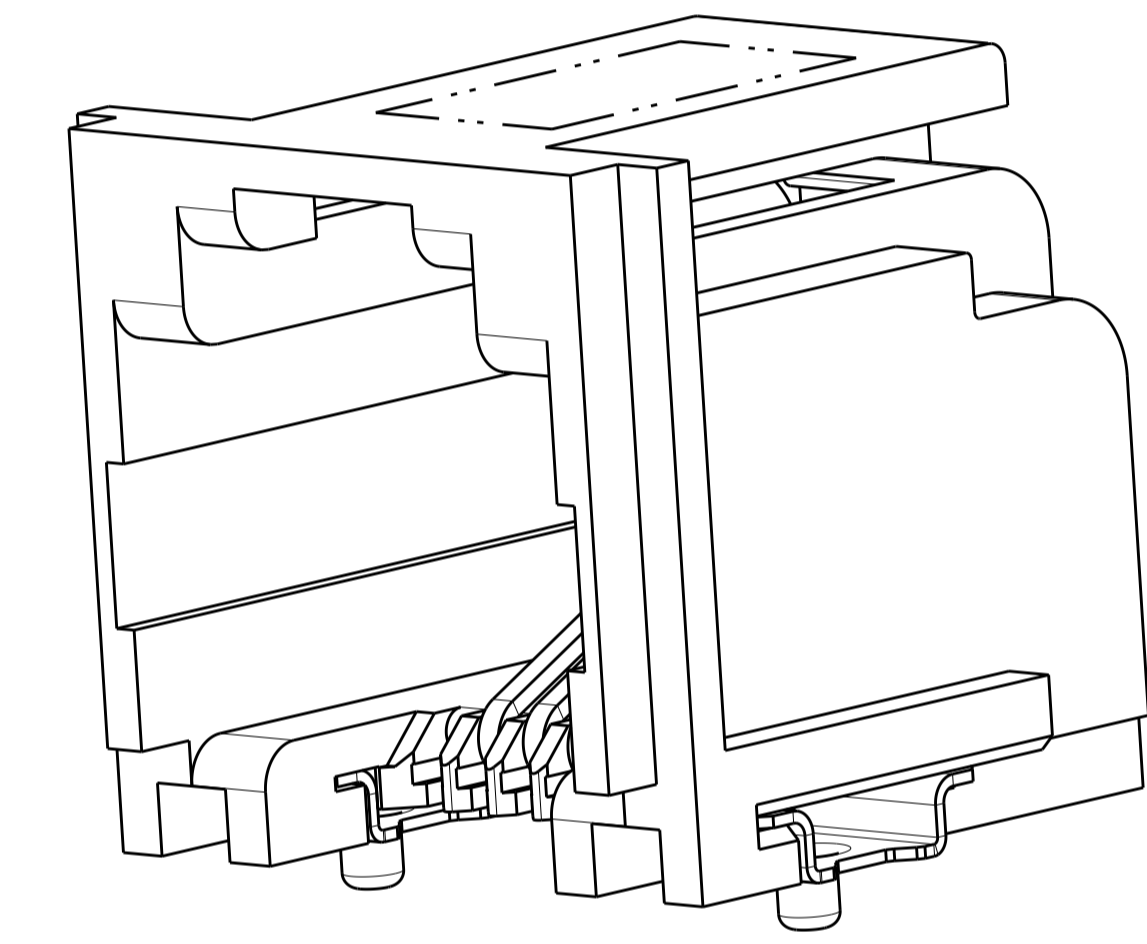
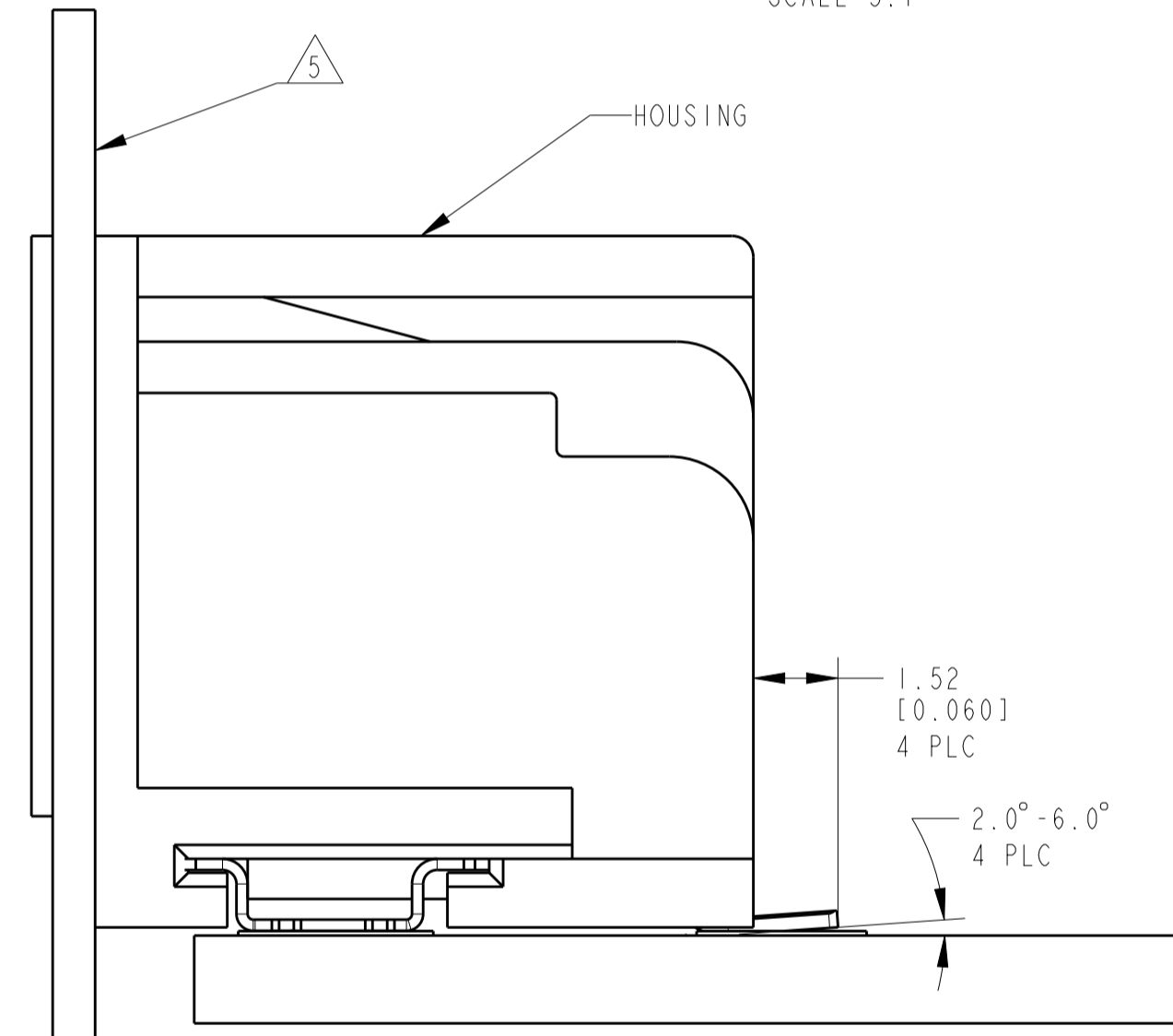
| LOC | DIST | REVISIONS | | | | | |
|-----|------|-----------|-----|------------------------|-----------|-----|------|
| | | P | LTN | DESCRIPTION | DATE | DWN | APVD |
| AA | 22 | A | | REV PER ECOS11-0201-04 | 29-07-05 | GA | SF |
| | | B | | ECO-06-025366 | 06-11-06 | LAM | JW |
| | | C | | ECO-07-000895 | 17-01-07 | LAM | JW |
| | | C2 | | ECO-16-009006 | 15JUN2016 | AD | SH |



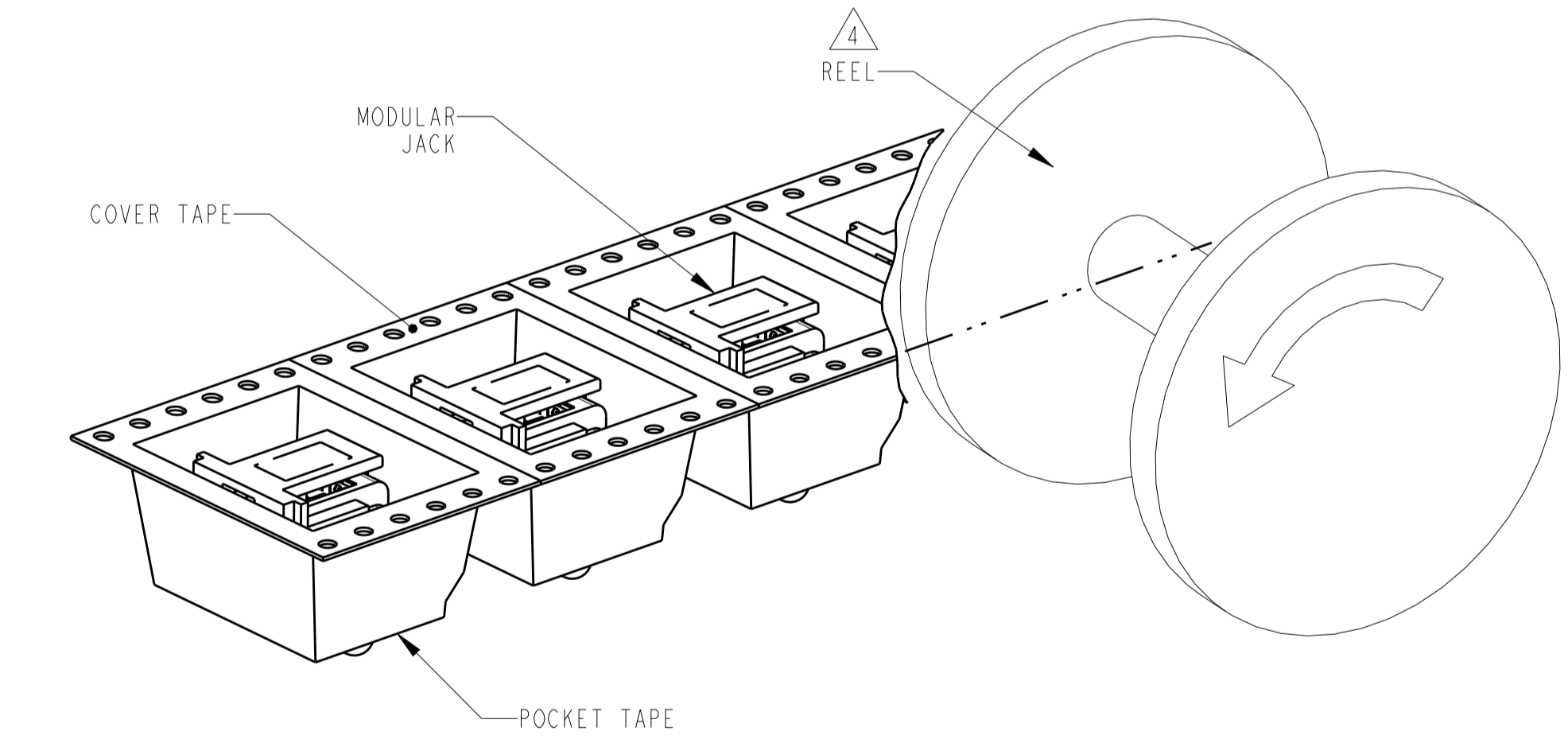
- 1 MATERIAL:
HOUSING - HIGH TEMPERATURE THERMOPLASTIC. COLOR - PER PART NUMBER TABLE.
TERMINALS - 0.31 [0.012] THICK COPPER ALLOY PLATED WITH (SEE TABLE) MINIMUM GOLD IN LOCALIZED GOLD PLATE AREA, 2.5 μm [0.000100] MINIMUM MATTE TIN ON TERMINATION END, BOTH OVER 1.27 μm [0.00050] MINIMUM NICKEL OVER ENTIRE TERMINAL.
BOARDLOCK - PHOS BRONZE, 1/2 HARD, 3.81 μm [0.00150] MINIMUM MATTE TIN OVER 1.27 μm [0.00050] MINIMUM NICKEL ON TERMINAL END.
- 2 JACK CAVITY CONFORMS TO FCC 47 RULES AND REGULATIONS, PART 68 SUBPART F.
- 3 DATUM ESTABLISHED BY CUSTOMER.
- 4 PACKAGING TAPE AND REEL: (PER EIA 481 SPEC)
32mm WIDE TAPE
24mm POCKET PITCH
560mm REEL DIA
600 PIECES PER REEL
- 5 CONNECTOR SHOULD BE POSITIONED THROUGH PANEL CUTOUT AS SHOWN TO SUPPORT TOP OF MODULAR JACK FOR STRAIN RELIEF
- 6 MANUFACTURING DATE CODE LOCATED APPROXIMATELY AS SHOWN. FIRST 2 DIGITS ARE YEAR, SECOND 2 DIGITS ARE WORK WEEK, AND LAST DIGIT IS THE DAY OF THE WEEK



RECOMMENDED PRINTED CIRCUIT BOARD LAYOUT
 COMPONENT SIDE
 SCALE 5:1



RECOMMENDED PANEL CUTOUT
 SCALE 4:1



| OBsolete | 0.76 μm [0.00030] | GREEN | 1-5406545-4 |
|----------|--------------------|-------|-------------|
| OBsolete | 0.76 μm [0.00030] | BLACK | 1-5406545-3 |
| OBsolete | 0.76 μm [0.00030] | GRAY | 1-5406545-1 |
| OBsolete | 1.27 μm [0.00050] | GREEN | 5406545-4 |
| | 1.27 μm [0.00050] | BLACK | 5406545-3 |
| | 1.27 μm [0.00050] | GRAY | 5406545-1 |
| | MIN GOLD THICKNESS | COLOR | PART NUMBER |

| | | | | | | | |
|--|--|---|--|--|--|---|--|
| DIMENSIONS: mm [INCHES] | | TOLERANCES UNLESS OTHERWISE SPECIFIED: 0 PLC ± 1 PLC ±0.131 (0.05) 2 PLC ± 3 PLC ± 4 PLC ± ANGLES ± | | DWN G. ATTADIA 29 JUL 05 CHK J. WESTMAN 29 JUL 05 APVD S. FLICKINGER 29 JUL 05 PRODUCT SPEC 108-1689 APPLICATION SPEC 114-6040 WEIGHT CUSTOMER DRAWING | | NAME MODULAR JACK ASSEMBLY, 1 PORT, 6/4 POSN, SURFACE MOUNT, RIGHT ANGLE, WITH INWARD BOARDLOCKS SIZE CAGE CODE DRAWING NO A 00779 C=5406545 RESTRICTED TO | |
| MATERIAL SEE NOTE 1 FINISH SEE NOTE 1 | | SCALE 8:1 | | SHEET 1 OF 1 | | REV C2 | |