

規格承認書

PECIFICATION FOR APPROVAL

客戶
CUSTOMER : 立創
項目
ITEM : 塑壳內磁喇叭
型號
TYPE : GSPK3020035PN-8R1.2W-L100
描述
DESCRIPTION : 30.0 x 20.0 x 3.5MM 單磁 8Ω 1.2W L100mm S.P.L: 98dB+/- 3dB
客戶料號
CUSTOMER NO. :
規格書號
SPECIFICATION NO.:
版本
EDITION NO. : V1.1
日期
DATE : 2020-7-21

客戶承認

CUSTOMER CONFIRM AND SIGN

| 檢查 TESTED BY | 審核 CHECKED BY | 承認 APPROVED BY |
|-----------------|------------------|-------------------|
| | | |

東莞市贏海電子有限公司

DONGUAN INGHAI ELECTRONICS CO.,LTD

| 製作 ISSUED BY | 審查 CHECKED BY | 確認 APPROVED BY |
|-----------------|------------------|-------------------|
| 周明 | 李林 | |

地址：廣東省東莞市長安鎮廈邊元灶頭工業區 16-6 號
電話 / TEL: 0769-83060958 傳真 / FAX: 0769-81608993
網址: [HTTP://WWW.INGHAI.COM](http://www.inghai.com)

DONGGUAN INGHAI ELECTRONICS CO.,LTD

Our Part No : GSPK3020035PN-8R1.2W-L100

型号/PART No

该规格书适用于移动电话等使用的扬声器单元。

This Specification Applies to The Speaker, Used In Mobilephone sec.

A. 尺寸/TYPE

30*20mm 跑道形 电动式/ 30*20mm Rectangle Dynamic type

B. 尺寸与重量/DIMENSION

尺寸: 30*20*3.5mm 参考外观图面 (Figure.1)

Dimension: Refer To The Appearance Drawing. (Figure.1)

重量: $\pm 0.1g$

Weight: $\pm 0.1g$

C. 标准测试条件/STANDARD TEST CONDITION

在没有其他特别指定时, 测试应如下所记的标准测试条件下进行。

Unless Otherwise Specified, The Test Shall Be Made Under The Standard Conditions.

- 温度/Temperature : $17^{\circ}C \sim 25^{\circ}C$ (Standard: $20.5^{\circ}C$)
- 相对湿度/Relative Humidity : $45\% \sim 85\%$ (Standare: 65%)
- 大气压力/Pressure : $86Kpa \sim 106Kpa$ (Standard: 101.3 Kpa)

D. 使用与储存温度/OPERATION AND STORAGE TEMIPERATURE

- 使用温度/Operation Temperature : $-40^{\circ}C \sim 85^{\circ}C$
- 储存温度/Storage Temperature : $-30^{\circ}C \sim 70^{\circ}C$

E. 电气特性规格/Electrical Specification

参考特性规格页面/Refer To The Appearance Page

F. 外观与尺寸: 参考附图

Appearance&Dimensions: Refer To The Apprarence Drawtng (Figure.1)

G. 额定/Rated

| 项目/Items | 规格/Specification | 条件/Conditions |
|--------------------------|--------------------|----------------|
| 额定阻抗/Rated Impeance | $8\Omega \pm 20\%$ | at 1kHz 100 mV |
| 额定输入功率/Rated input power | 1.2 W | |

| | | |
|----------------------------|-------------------------------------|---|
| 最大输入功率/Max input power | 1.5W | |
| 最低共振频率 /Resonant Frequency | 630±20% Hz | 1V Input |
| 灵敏度/Sound pressure level | 96dB±3dB at 1KHz (0dB SPL=20μPa) | SPL at 1.0kHz in Average (0dB SPL=20μPa) Measuring condition: 0.8W (Sine wave) 0.1m measured with baffler shown in Figure3 |
| 有效频率范围 /Frequency response | FO~20KHZ | |
| 总谐波失真/THD | ≤5% at 1kHz | |

H. 动作检查/OPERATIONAL TEST

| 项目/ITEM | 信号/SIGNAL | 输入/INPUT | 扫频范围/SWEEP RANGE |
|------------|-----------|-------------|------------------|
| SWEEP TEST | Sine Wave | 1.2W(2.53V) | 200~5000Hz |

- 在动作检查中不得有异常音出现
- Without Abnormal Sound In Operation Test.

I. 负荷实验/LOAD TEST

| 项目/ITEM | 信号/SIGNAL | I 输入/INPUT | 驱动时间 DRIVING TERM |
|----------------------|---|-------------------|-----------------------------|
| Continuous load Test | With Noise/Jis Filter (Refer To Jis C5531) | 1.2W(2.53V) (RMS) | 96hours (with 5cc test box) |

- 在负荷实验 后不得有异常音出现,灵敏度应保持在限度范围内。
- Without Abnormal Sound After Test, And The S.P.L Shall Be In The Limit.
- 负荷实验应使用粉红噪声信号
- Runing Test Shall Use pink Noise Signal

J. 可靠性实验/Reliability Test

| 项目/Item | 规格/Specification | 判定/Judgement |
|---------------------------------|-----------------------------------|--|
| 高温放置实验 Hightemp.Storage Test | 85℃±2℃/20~40%RH/96HR & 20℃±5℃,1H | 实验完成后产品应满足上述 第 H, I, J 项要求. Clause H, I, J Shallbe Satisfied Afier Test |
| 低温放置实验 Lowtemp.Storage Test | -40±2℃/20~40%RH/96HR & 20℃±5℃,1H | |
| 耐湿实验 Humidity Test | 40℃±2℃/90~95%RH/96HR & 20℃±5℃, 1H | |
| 耐高温负荷实验 Heatrunning Test | 85℃±2℃/20~40%RH/- | |
| 耐低温负荷实验 Coldrunning Test | -40℃±2℃/20~40%RH/- | |

| | | |
|----------------------------|--|--|
| 热冲击实验 Thermalshock Test | +85°C±2°C—30°C±2°C—+85°C±2°C 5Cycles | |
| 震动实验 Vibration Test | 10Hz—40Hz—10Hz/60s, 1.0mm (X: 2H, Y: 2B) | |

K. 跌落实验/SHOCK TEST

| 项目/Item | 条件/Condition | 判定/Judgement |
|-----------|---|--|
| Drop Test | 产品在包装状态下,从 1 米高处向混凝土地面跌落:1角:1次:3边:每条边 1 次:6 面:每 1 面 1 次 Speaker Shall Be Packed In The Carton And Dropped The Conccrite Floor(H:1m) | 实验完成后新产品应满足上述第 I 项要求 Clause I Shallbe Satisfied Afier Test |

L. Product Size

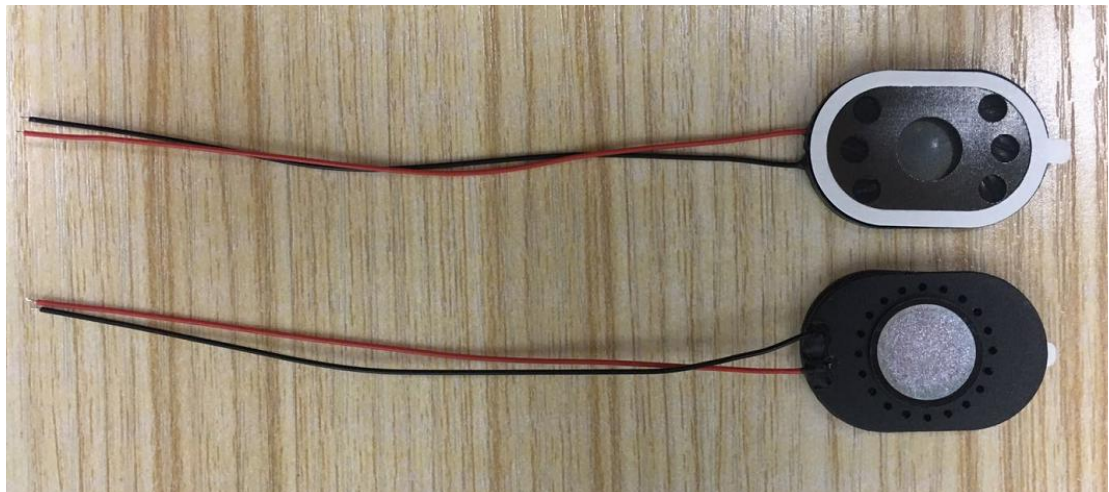
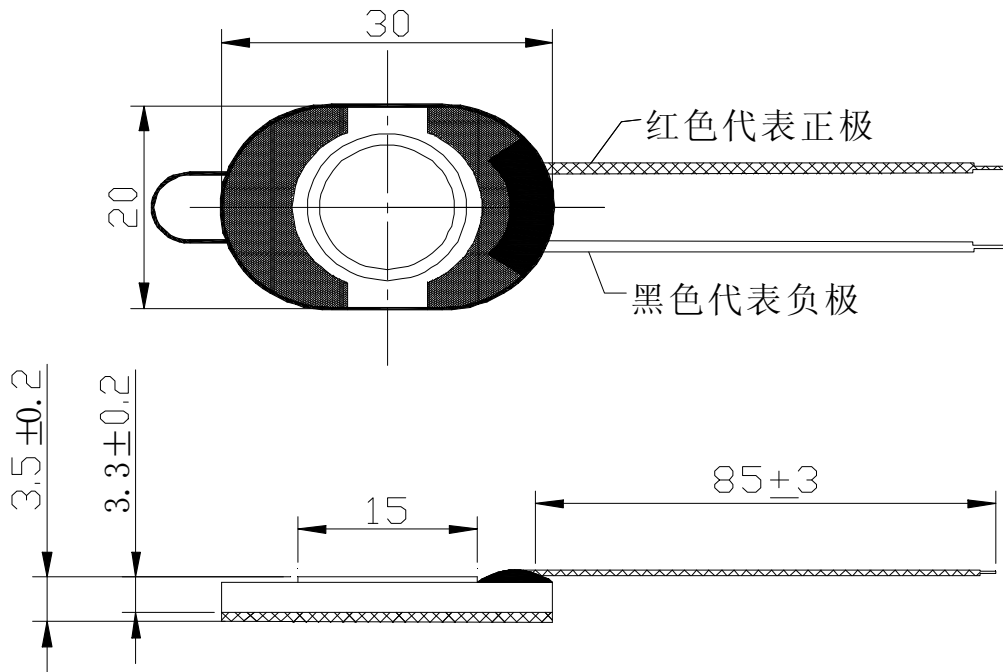


Figure.1

| ITEM | DESCRIPTIONS | SPEC. | SUPPLIER | QTY | REMARK |
|------|-----------------|-------------------|----------|-----|--------|
| 1 | Front foam ring | Adhesive | | 1 | |
| 2 | Front cover | 1Cr18Ni9 | | 1 | |
| 3 | Diaphragm | PEN | | 1 | |
| 4 | Voice coil | Self-bonding wire | | 1 | |
| 5 | Inner pole shoe | 08F, | | 1 | |
| 6 | Magnet | Nd-Fe-B | | 1 | |
| 7 | U YOKE | SPCE | | 1 | |
| 8 | PCB | T0.35 | | 1 | |
| 9 | Lead wire | UL1571AWG32# | | 2 | |
| 10 | Yoke assembly | PBT, black | | 1 | |
| 11 | Insulator pad | Mylar | | 0 | |

M. Product testing curve

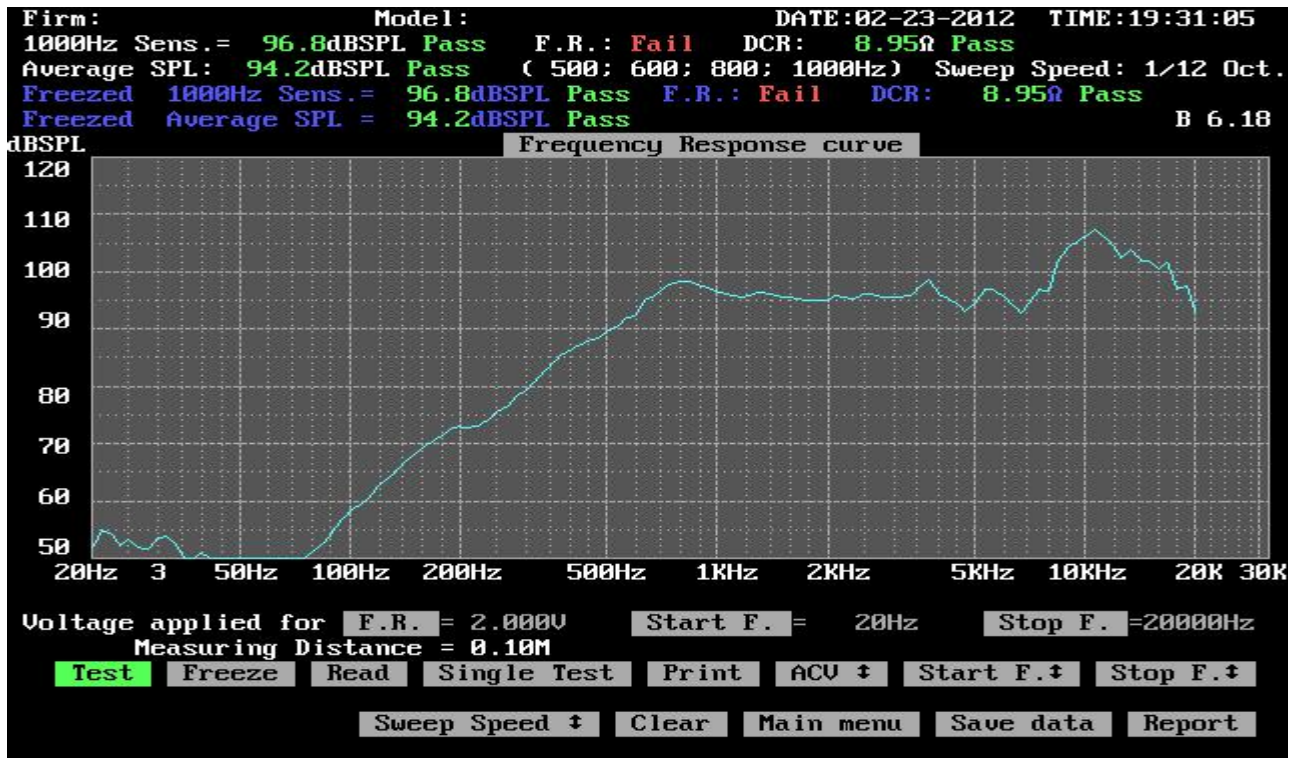


Figure.2

FREQUENCY MEASURING CIRCUIT AND EAR PIECE

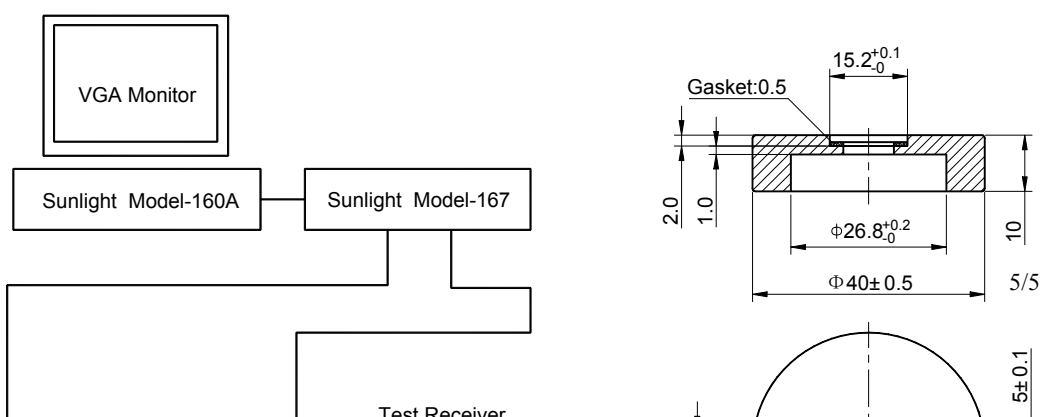


Figure.3