

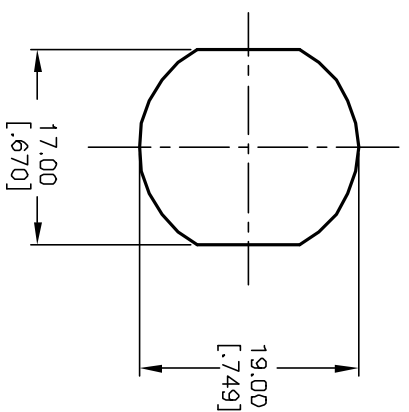
NOTES:

1. ALL DIMENSIONS IN MM [INCH]
2. GENERAL TOLERANCE: X.X=±0.4  
X.XX=±0.25
3. TERM. NOS. FOR REFERENCE ONLY.
4. RATING: 4A @125VAC, 2A @250VAC
5. CONTACT RESISTANCE: 20mILLI-OHMS
6. DIELECTRIC STRENGTH: 1500 VAC-1Minute
7. INSULATION RESISTANCE: 200 Mega-OHMS
8. MATERIALS:  
HOUSING: ZINC ALLOY DIE CAST  
CYLINDER: ZINC ALLOY W/CHROME PLATE  
CONTACTS: SILVER PLATE  
CRISS CROSS TUMBLERS. (11 BLADE)

CIRCUIT: SPST  
CONTACT CONFIGURATION

SWITCH FUNCTION	
POS 1	POS 2
↙	→
DNF	DN

LEGEND  
● = INDICATE NO KEY PULL  
⊙ = INDICATES KEY PULL POSSIBLE



RECOMMENDED PANEL CUTOUT

REV.	ECN No.	DESCRIPTION	DATE	CHKD
A	13016	RELEASED FOR PRODUCTION	4/8/03	AR

TITLE	SCALE	DATE	DR	DWG	REV
K0121A	1.5:1	4/8/03	AR	K200200	A



THE INFORMATION CONTAINED IN THIS DOCUMENT IS PROPRIETARY TO E-SWITCH AND IS NOT TO BE COPIED OR TRANSFERRED