

IEC Appliance Inlet C18, Screw-on Mounting, Front Side, Solder or Quick-connect, PCB or Screw Terminal



C18



70° C

**Description**

- Panel Mount:  
Screw-on mounting, Frontside
- 1 Function:

- Appliance Inlet, Pin temperature 70 °C, Protection class II
- Solder, quick-connect, screw, PCB

**Approvals**

- VDE Certificate Number: 40011871
- UL File Number: E96454
- CSA File Number: 27324

**References**

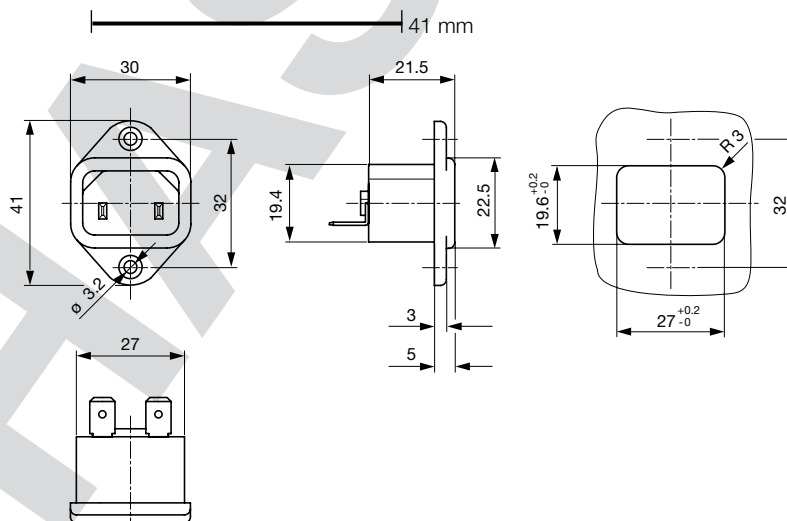
This type is Phase-out without alternate type  
Last order date: 31.12.2012

**Weblinks**

[pdf-datasheet](#), [html-datasheet](#), [General Product Information](#), [Approvals](#), [RoHS](#), [CHINA-RoHS](#), [Mating Connectors](#), [e-Shop](#), [SCHURTER-Stock-Check](#), [Distributor-Stock-Check](#), [CAD-Drawings](#), [Accessories](#), [Detailed request for product](#)

**Technical Data**

Ratings IEC	10 A / 250 VAC; 50 Hz	Appliance Inlet	C18 acc. to IEC 60320
Ratings UL/CSA	15 A / 250 VAC; 60 Hz		UL 498, CSA C22.2 no. 42 (for cold conditions) pin-temperature 70 °C, 10 A, Protection Class II
Dielectric Strength	> 3 kVAC between L-N > 1.5 kVAC between L/N-PE (1 min/50 Hz)		
Allowable Operation Temp.	-25 °C to 70 °C		
Degree of Protection	from front side IP 20 acc. to IEC 60529		
Protection Class	Suitable for appliances with protection class II acc. to IEC 61140		
Material: Housing	PA6, black or grey, UL 94V-0		

**Dimensions**

Length of the terminal please find at the order code configuration table  
Ansicht von unten

## Config. Code

6066 - H - A B C 0- D - E

The characters are placeholders for the correspondingly keys of selections from the key tables.

6066 - H - A B C 0- D - E = Type

Type	Configuration key
protection class 2	B

6066 - H - A B C 0- D - E = Terminals

Terminal L	Configuration key
short solder terminal (L = 4.8 mm) 	2
long solder terminal (L = 8.5 mm) 	3
Blade terminal (4.8 x 0.8 mm) 	8
Blade terminal (6.3 x 0.8 mm) 	9
screw terminal	A

6066 - H - A B C 0- D - E = Terminals

Terminal N	Configuration key
short solder terminal (L = 4.8 mm)	2
long solder terminal (L = 8.5 mm)	3
Blade terminal (4.8 x 0.8 mm)	8
Blade terminal (6.3 x 0.8 mm)	9
screw terminal	A

Symbols similar as in table A

6066 - H - A B C 0- D - E = Terminals

Terminal Ground	Configuration key
without terminal	0

Symbols similar as in table A

6066 - H - A B C 0- D - E = Color

Color	Configuration key
Black	A
Grey	B

6066 - H - A B C 0- D - E = Style

Style	Configuration key
flange with countersunk holes	1

## Variants

Config. Code	Description	Order Number
6066-X-2200-A-1	6066, IEC Appliance Inlet C18, 70°C, version: 2, L: short solder terminal (L = 4.8 mm), N: short solder terminal (L = 4.8 mm), ground: without terminal, color: Black, design: flange with countersunk holes, dimension X: , features:	6162.0075

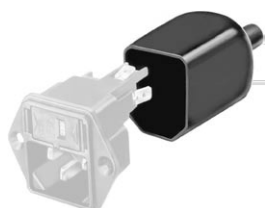
The listed variants should be available from stock Other versions on request [www.schurter.com/contact](http://www.schurter.com/contact)

## Packaging unit

50 Pcs

## Accessories

Description



Assorted Covers  
Rear Cover

## Mating Outlets/Connectors

## Category / Description

## Connector Overview complete



IEC Connector C15, Rewireable, Straight	0101
IEC Connector C15A, Rewireable, Straight	0102
IEC Connector C15A, Rewireable, Straight	0102-G
IEC Connector C15A, Rewireable, Angled	0112
IEC Connector C13, Rewireable, Angled	4012
Connector further types to 6066	...

## Power Cord Overview complete



Power Cord with IEC Connector C17, Angled	0301
Power Cord with IEC Connector C13, Angled	0311
Power Cord with IEC Connector C13, Angled	3011
Power Cord with IEC Connector C13, Angled	3012
Power Cord with IEC Connector C13, Angled	3013
Power Cord further types to 6066	...

## Power Supply or Interconnection Cord Overview complete



Diverse Power Supply and Interconnection Cords 10 A	Cord Sets 10 A
Power Supply or Interconnection Cord further types to 6066	

PHASE