

POWERLINE - DC/DC-Converter

H-Series, 3 Watt, Wide Input Range & High Isolation (Single & Dual Output)

RECOM

Features

- Over 2000 VRMS Input/Output Isolation
- High Input Voltage up to 170VDC
- Pi Input Filter
- Wide Input Voltage Range
- Short Circuit Protection
- 100kHz Switching Frequency
- MTBF 2.377×10^5 Hours
- 2 Year Warranty
- Non Conductive Black Plastic



Selection Guide 24V, 48V and 120V Input Types

Part Number	Input Range	Output Voltage	Output Current	Efficiency (%)
RP03-2405SH	10-36 VDC	5 VDC	600 mA	72
RP03-2412SH	10-36 VDC	12 VDC	250 mA	75
RP03-2415SH	10-36 VDC	15 VDC	200 mA	75
RP03-2405DH	10-36 VDC	±5 VDC	±300 mA	72
RP03-2412DH	10-36 VDC	±12 VDC	±125 mA	75
RP03-2415DH	10-36 VDC	±15 VDC	±100 mA	75
RP03-4805SH	20-75 VDC	5 VDC	600 mA	74
RP03-4812SH	20-75 VDC	12 VDC	250 mA	77
RP03-4815SH	20-75 VDC	15 VDC	200 mA	78
RP03-4805DH	20-75 VDC	±5 VDC	±300 mA	74
RP03-4812DH	20-75 VDC	±12 VDC	±125 mA	77
RP03-4815DH	20-75 VDC	±15 VDC	±100 mA	77
RP03-12005SH	40-170 VDC	5 VDC	600 mA	71
RP03-12012SH	40-170 VDC	12 VDC	250 mA	74
RP03-12015SH	40-170 VDC	15 VDC	200 mA	74
RP03-12005DH	40-170 VDC	±5 VDC	±300 mA	71
RP03-12012DH	40-170 VDC	±12 VDC	±125 mA	74
RP03-12015DH	40-170 VDC	±15 VDC	±100 mA	74

Maximum Capacitive Load

RP03-xx05SH	1000µF
RP03-xx12SH	150µF
RP03-xx15SH	100µF
RP03-xx05DH	±470µF
RP03-xx12DH	±75µF
RP03-xx15DH	±47µF

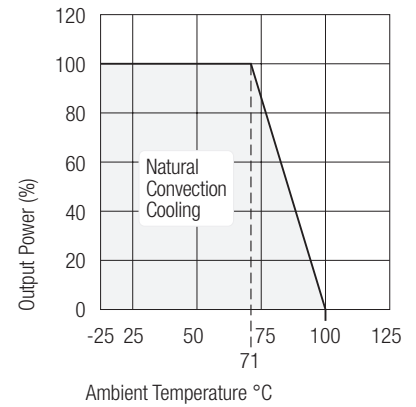
POWERLINE - DC/DC-Converter

H-Series, 3 Watt, Wide Input Range & High Isolation (Single & Dual Output)

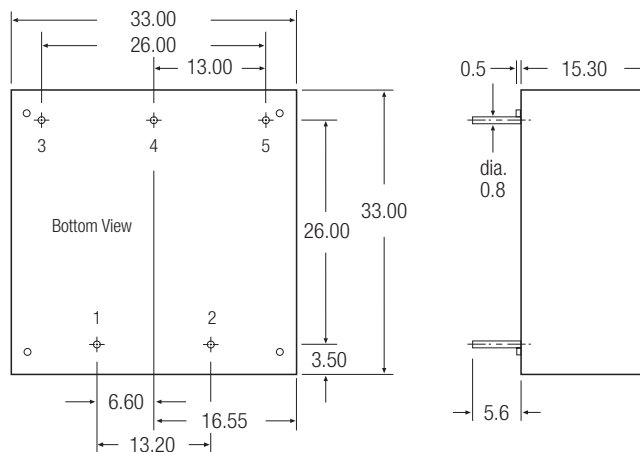
RECOM

Specifications (typical at nominal input and 25°C unless otherwise noted)

Input Voltage Range	24V types nominal	10-36V
	48V types nominal	20-72V
	120V types nominal	40-170V
Input Filter		Pi Type
Voltage Accuracy		±3%
Voltage Balance, Dual Outputs		1.5%
Ripple and Noise, 20MHz BW		50mVp-p
Line Regulation, HL-LL		±0.1%
Load Regulation, FL-1/4FL		±0.2%
Temperature Coefficient		±0.02%/°C
Short Circuit Protection		Continuous
Transient Response, 25% Load Step Change		500µsec
Switching Frequency		100kHz, typ.
Isolation Voltage		2kV RMS
Isolation Resistance		10 ⁹ Ω
Operating Temperature Range		-25°C to +71°C
Storage Temperature Range		-55°C to +125°C
Cooling		Free-air Convection
Case Material		Non-Conductive Black Plastic
Dimensions		33.1 x 33.1 x 15.3 mm
MTBF (MIL-HDBK-217F TA = 25°C full load)		2.377 x 10 ⁵ Hours



Package Style and Pinning (mm)



Pin Connections

Pin #	Single	Dual
1	+Vin	+Vin
2	-Vin	-Vin
3	+Vout	+Vout
4	No Pin	Common
5	-Vout	-Vout

NC = No Connection

Pin Pitch Tolerance ±0.3 mm