

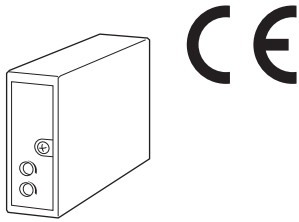
Dual Output Super-mini Signal Conditioners Pico-M Series

OUTPUT ISOLATOR

(CE)

Functions & Features

- Providing an isolated DC output at the Installation Base terminals
- Space-saving, easy-to-maintain, multi-channel installation base



MODEL: M8YS1-[1][2]-R[3]

ORDERING INFORMATION

- Code number: M8YS1-[1][2]-R[3]
- Specify a code from below for each of [1] through [3].
(e.g. M8YS1-6A-R/Q)
- Specify the specification for option code /Q
(e.g. /C01 /V01)

[1] INPUT

Current

A: 4 - 20 mA DC (Input resistance 250 Ω)

Voltage

4: 0 - 10 V DC (Input resistance 1 MΩ min.)

5: 0 - 5 V DC (Input resistance 1 MΩ min.)

6: 1 - 5 V DC (Input resistance 1 MΩ min.)

[2] OUTPUT

Current

A: 4 - 20 mA DC (Load resistance 550 Ω max.)

Voltage

4: 0 - 10 V DC (Load resistance 5000 Ω min.)

5: 0 - 5 V DC (Load resistance 2500 Ω min.)

6: 1 - 5 V DC (Load resistance 2500 Ω min.)

POWER INPUT

DC Power

R: 24 V DC

(Operational voltage range 24 V ±10 %, ripple 10 %p-p max.)

[3] OPTIONS

blank: none

/Q: Options other than the above (specify the specification)

SPECIFICATIONS OF OPTION: Q (multiple selections)

COATING (For the detail, refer to M-System's web site.)

/C01: Silicone coating

/C02: Polyurethane coating

/C03: Rubber coating

ADJUSTMENT

/V01: Multi-turn fine adjustment

RELATED PRODUCTS

- Installation Base or Single Mount Base Socket (model: M8BSx)

This unit must be mounted on dedicated base or socket.

GENERAL SPECIFICATIONS

Construction: Plug-in

Mounting screw: M3 screw (torque 0.3 N·m)

Housing material: Flame-resistant resin (black)

Power supply: Via the Installation Base terminals
(model: M8BSx)

Isolation: Input to output to power

Zero adjustment: -2 to +2 % (front)

Span adjustment: 98 to 102 % (front)

INPUT SPECIFICATIONS

■ DC Current: Input resistor incorporated

■ DC Voltage

Input resistance: 1 MΩ min. (10 kΩ min. in power failure)

INSTALLATION

Current consumption: Approx. 30 mA (50 mA for current output)

Operating temperature: 0 to 55°C (32 to 131°F)

Operating humidity: 30 to 95 %RH (non-condensing)

Mounting: Installation Base (model: M8BSx)

Weight: 70 g (2.5 oz)

PERFORMANCE in percentage of span

Accuracy: ±0.1 %

Temp. coefficient: ±0.015 %/°C (±0.008 %/°F)

Response time: ≤ 15 msec. (0 - 90 %)

Line voltage effect: ±0.1 % over voltage range

Insulation resistance: ≥ 100 MΩ with 500 V DC

Dielectric strength:

1500 V AC @1 minute(input or power to output to ground)

500 V AC @1 minute(input to power)

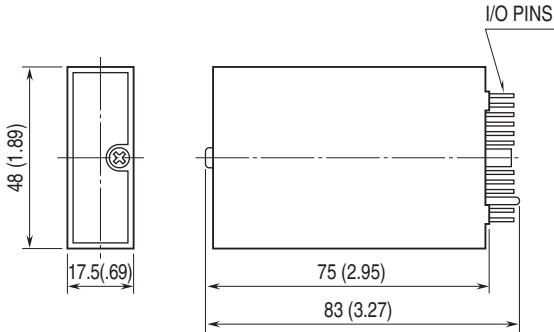
SWC test: ANSI/IEEE-C37.90.1-1989

STANDARDS & APPROVALS

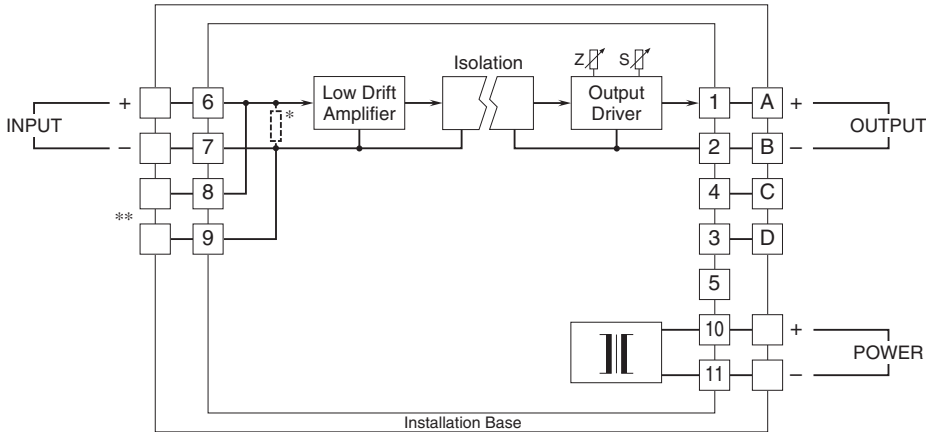
EU conformity:

- EMC Directive
- EMI EN 61000-6-4
- EMS EN 61000-6-2
- RoHS Directive
- EN 50581

EXTERNAL DIMENSIONS unit: mm (inch)



SCHEMATIC CIRCUITRY & CONNECTION DIAGRAM



* Input shunt resistor incorporated for current input.
 **Use either of the 6 – 7 or 8 – 9 terminals for input.

Specifications are subject to change without notice.