

1. Specification

1.1 Electrical:

Contact Resistance: 100mΩ MAX

Insulation Resistance: 100MΩ

Dielectric Withstand: No discharge, flashover or breakdown at 1500VAC 1Minute

Electrical Life: 1,000,000 Cycles

1.2 Operation Temperature:

-25~+70℃

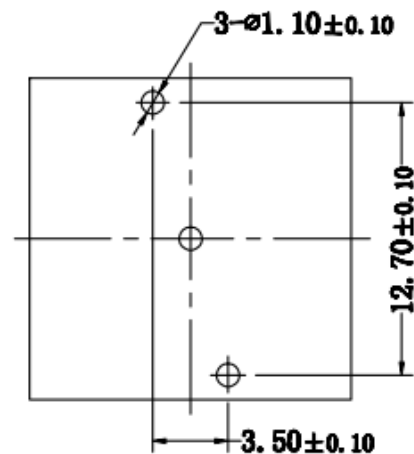
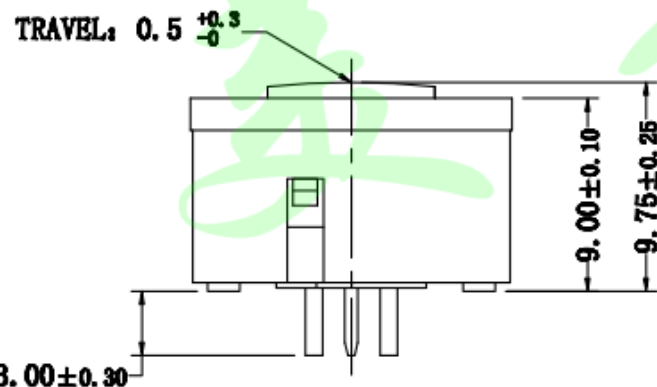
2. Material

Housing: PBT/PA46 (UL94V-0)

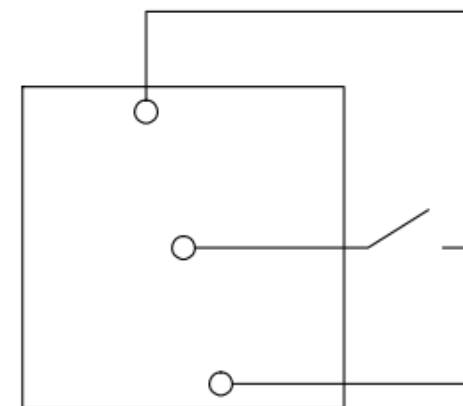
Actuator: PC & ABS/PMMA

Contact: Stainless, Au version tin-plated/silver plated

Terminals: Brass, Au version tin-plated/silver plated



PC MOUNTING



CIRCUIT DRAWING

Dongguan Usakro Electronic Technology Co., Ltd.

			angle	±2'		design	date		name	UK-B01515
			10~30	±0.30		Review	date			
			5~10	±0.20		Approved	date		name	特点: 可带LED灯
			~ 5	±0.10		Drawing number:				
modify	Review	Approved	Tolerance not specified	Proportion	1:1	unit	mm	page number		A4