

**PLEASE CHECK WWW.MOLEX.COM FOR LATEST PART INFORMATION**

**Part Number:** [0191540045](#)  
**Status:** **Active**  
**Description:** InsulKrimp™ Butt Splice for 6 AWG Wire

**Documents:**

[Drawing \(PDF\)](#) [RoHS Certificate of Compliance \(PDF\)](#)  
[Packaging Specification \(PDF\)](#)

**General**

Product Family	Splices
Series	<a href="#">19154</a>
Crimp Quality Equipment	Yes
Mil-Spec	N/A
Product Name	Butt, InsulKrimp™

**Physical**

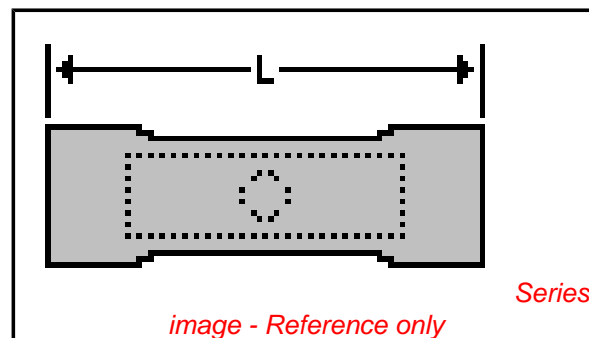
Barrel Type	Closed
Color - Resin	Natural
Insulation	PVC
Material - Resin	PVC
Packaging Type	Bag
Wire Insulation Diameter	11.20mm (.440") max.
Wire Size AWG	6

**Material Info**

Old Part Number	E-662X
-----------------	--------

**Reference - Drawing Numbers**

Sales Drawing	SD-19154-004
---------------	--------------



**EU RoHS**

**ELV and RoHS  
Compliant**

**REACH SVHC**

Not Reviewed

**Halogen-Free**

**Status**

**Not Reviewed**

**China RoHS**



**Need more information on product  
environmental compliance?**

Email [productcompliance@molex.com](mailto:productcompliance@molex.com)  
 For a multiple part number RoHS Certificate of Compliance, [click here](#)

Please visit the [Contact Us](#) section for any non-product compliance questions.

**Search Parts in this Series**

[19154Series](#)

**Application Tooling | FAQ**

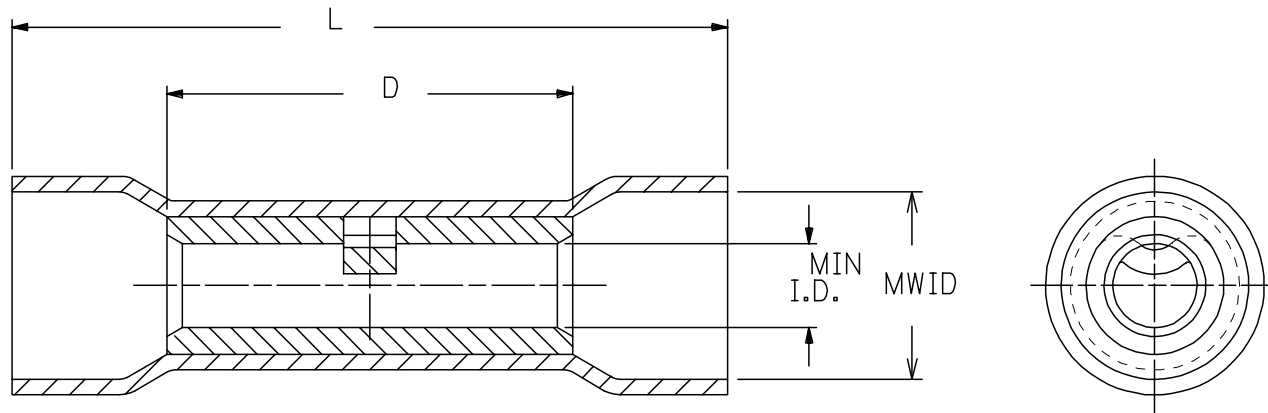
*Tooling specifications and manuals are found by selecting the products below. Crimp Height Specifications are then contained in the Application Tooling Specification document.*

**Global**

Description	Product #
Manual Putt Pump Hydraulic System, Die set required	<a href="#">0192860117</a>
Die Set (large) for the HHLS Hydraulic Crimper	<a href="#">0192890004</a>
Putt Pump Dieless Head System	<a href="#">0192860065</a>

MATERIAL NUMBER	ENGINEERING NUMBER	WIRE SIZE	INSULATION COLOR	I.D. MIN.	MWID*	"D" MAX.	"L" MAX.
191540041	D-654X	8	RED	.165	.385	.864	1.510
191540045	E-662X	6	BLUE	.230	.440	1.045	1.855
191540048	F-664X	4	YELLOW	.277	.605	1.155	2.036
191540049	G-672X	2	RED	.357	.650	1.280	2.277

\* MWID = MAXIMUM WIRE INSULATION DIAMETER



NOTES:

- CONNECTOR  
MATERIAL: COPPER  
PLATING: ELECTRO-TIN
- INSULATION  
MATERIAL: PVC  
COLOR: SEE CHART
- ALL COMPONENTS ARE ROHS COMPLIANT.

RERAWN & REVISED EC NO: ETC2007-0151 DRWNEHLE 2006/10/17 CHKD: JMACNEIL 2006/10/18 APPR: JMACNEIL 2006/10/18	QUALITY SYMBOLS	GENERAL TOLERANCES (UNLESS SPECIFIED)	DIMENSION STYLE	SCALE	DESIGN UNITS	THIRD ANGLE PROJECTION																		
	$\nabla=0$ $\nabla=0$	<table border="1"> <thead> <tr> <th></th> <th>mm</th> <th>INCH</th> </tr> </thead> <tbody> <tr> <td>4 PLACES</td> <td>±----</td> <td>±----</td> </tr> <tr> <td>3 PLACES</td> <td>±----</td> <td>±----</td> </tr> <tr> <td>2 PLACES</td> <td>±----</td> <td>±----</td> </tr> <tr> <td>1 PLACE</td> <td>±----</td> <td>±----</td> </tr> <tr> <td colspan="2">ANGULAR</td> <td>±----°</td> </tr> </tbody> </table>		mm	INCH	4 PLACES	±----	±----	3 PLACES	±----	±----	2 PLACES	±----	±----	1 PLACE	±----	±----	ANGULAR		±----°	INCH ONLY	---	INCH	
		mm	INCH																					
	4 PLACES	±----	±----																					
3 PLACES	±----	±----																						
2 PLACES	±----	±----																						
1 PLACE	±----	±----																						
ANGULAR		±----°																						
DESCRIPTION	DRAWN BY	DATE	TITLE																					
	RCM	1995/11/28	BUTT CONNECTOR, SEAMLESS, INSULKRIMP																					
	CHECKED BY	DATE	MOLEX INCORPORATED																					
	RWD	1995/11/28	SD-19154-004																					
	APPROVED BY	DATE	SHEET NO.																					
	RWD	1995/11/28	1 OF 1																					
	MATERIAL NO.	SEE CHART	THIS DRAWING CONTAINS INFORMATION THAT IS PROPRIETARY TO MOLEX INCORPORATED AND SHOULD NOT BE USED WITHOUT WRITTEN PERMISSION																					
	DOCUMENT NO.																							