

16

1636 01

Power supply connectors

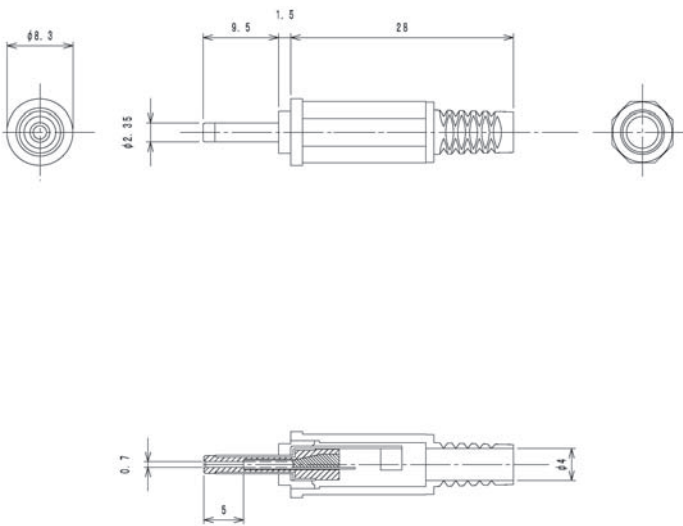


Power supply plug acc. to JEITA RC-5320A JSAP1, straight version, with solder eyes and bend protection

State: Active

16

1636 01



Environmental conditions

Temperature range -20 °C/+70 °C

Materials

Insulating body POM
Contact CuZn, nickel-plated
Housing PP

Mechanical data

Outer diameter 2,35 mm
Inner diameter 0,7 mm

Connectable conductors for solder area

Cable diameter 4 mm

Electrical data (at T_{amb} 20 °C)

Rated current 2 A
Rated voltage ≤ 3,15 V DC
Rated impulse voltage 500 V/60 s
Insulation resistance ≥ 100 MΩ

Associated products

Counterparts
☞ 1613 03

16

1636 01

Designation	Pole Number	PU (Pieces)	MDQ (Pieces)
1636 01	2	100	500

Packaging:

in bulk, in a cardboard box or a plastic bag