

Customer Information Sheet

DRAWING No.: M50-365XX42R

SHEET 3 OF 4

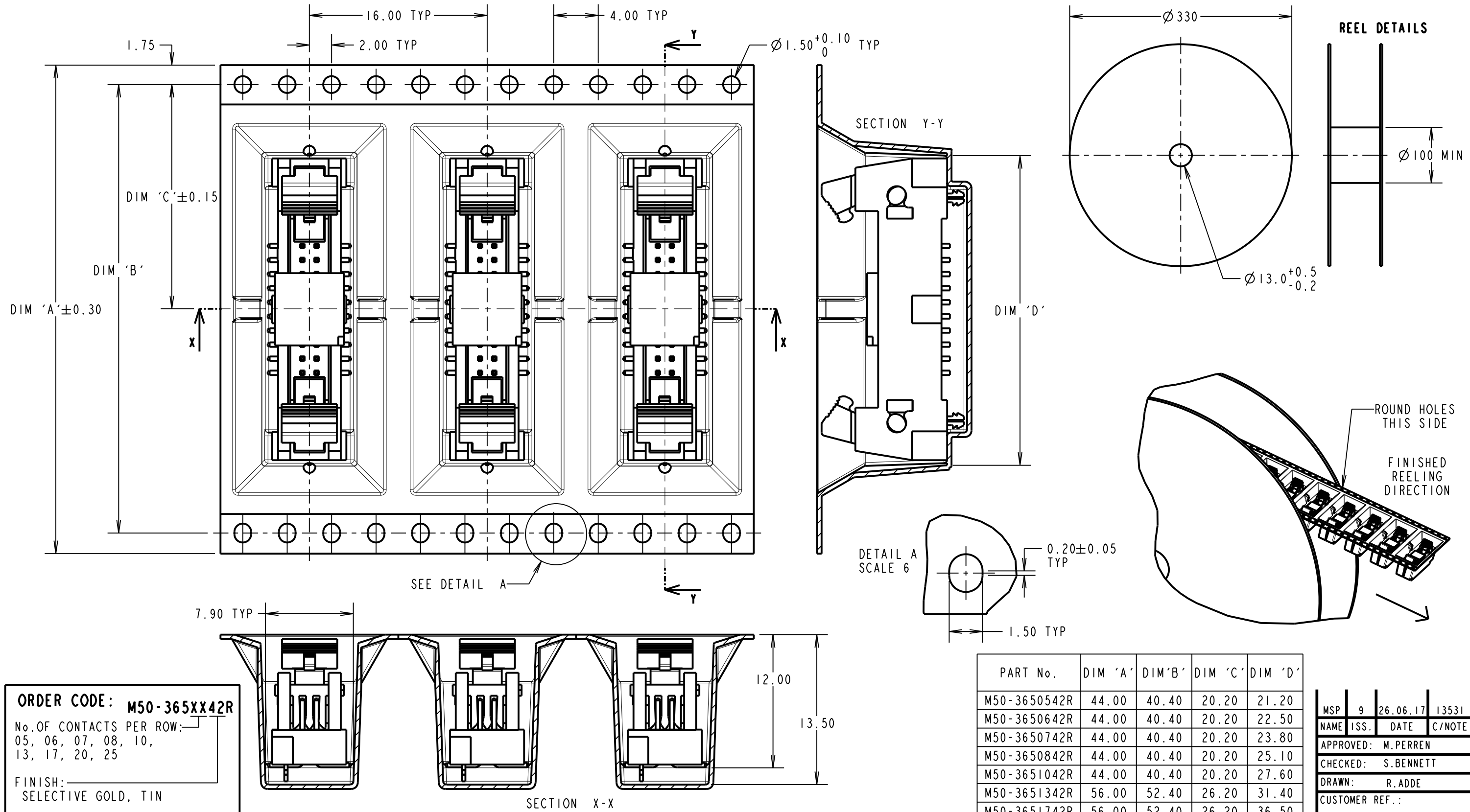
IF IN DOUBT - ASK

©

NOT TO SCALE

THIRD ANGLE PROJECTION

ALL DIMENSIONS IN mm



ORDER CODE: M50-365XX42R

No. OF CONTACTS PER ROW:
05, 06, 07, 08, 10,
13, 17, 20, 25

FINISH:
SELECTIVE GOLD, TIN

NOTES:

- FOR CONNECTOR DETAILS AND SPECIFICATIONS, SEE SHEET 4.
- PRODUCT IS TAPE AND REELED IN GENERAL ACCORDANCE WITH EIA-481 (ELECTRONIC INDUSTRIES ASSOCIATION).
- QUANTITY PER REEL = 250.
- ALL COMPONENTS ARE RoHS AND REACH COMPLIANT.

HARWIN

www.harwin.com
technical@harwin.com

THIS DRAWING AND ANY INFORMATION OR DESCRIPTIVE MATTER SET OUT HEREON ARE CONFIDENTIAL AND COPYRIGHT PROPERTY OF THE HARWIN GROUP AND MUST NOT BE DISCLOSED, LOANED, COPIED OR USED FOR MANUFACTURING, TENDERING OR FOR ANY OTHER PURPOSE WITHOUT THEIR WRITTEN PERMISSION.

TOLERANCES

X. = ±1mm
X.X = ±0.25mm
X.XX = ±0.10mm
X.XXX = ±0.01mm
ANGLES = ±5°
UNLESS STATED

MATERIAL:

SEE SHEET 4

FINISH: SEE ABOVE

S/AREA: mm²

TITLE: 1.27mm DIL SMT EJECTOR HEADER WITH CAP & PEGS TAPE & REELED

DRAWING NUMBER:
M50-365XX42R

PART No.	DIM 'A'	DIM 'B'	DIM 'C'	DIM 'D'
M50-3650542R	44.00	40.40	20.20	21.20
M50-3650642R	44.00	40.40	20.20	22.50
M50-3650742R	44.00	40.40	20.20	23.80
M50-3650842R	44.00	40.40	20.20	25.10
M50-3651042R	44.00	40.40	20.20	27.60
M50-3651342R	56.00	52.40	26.20	31.40
M50-3651742R	56.00	52.40	26.20	36.50
M50-3652042R	56.00	52.40	26.20	40.30
M50-3652542R	72.00	68.40	34.20	46.60

MSP	9	26.06.17	13531
NAME	ISS.	DATE	C/NOTE
APPROVED: M.PERREN			
CHECKED: S.BENNETT			
DRAWN: R.ADDE			
CUSTOMER REF.:			
ASSEMBLY DRG:			

SHT
3 OF 4

Customer Information Sheet

DRAWING No.: M50-365XX42R

SHEET 4 OF 4

IF IN DOUBT - ASK

©

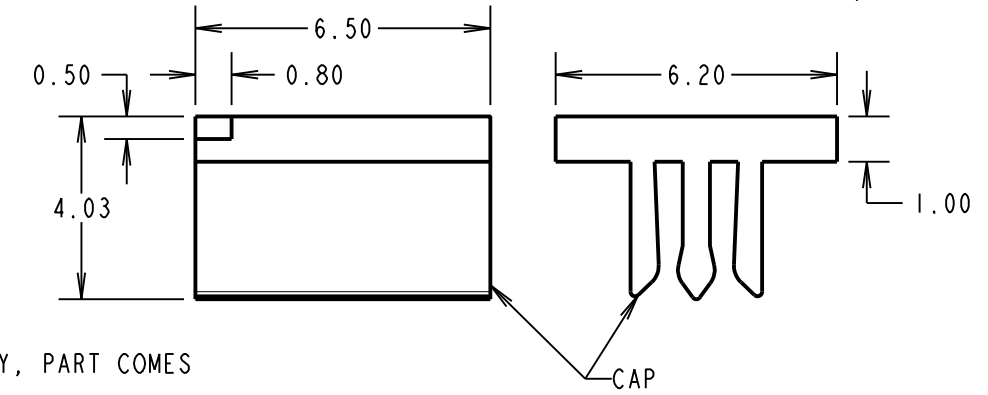
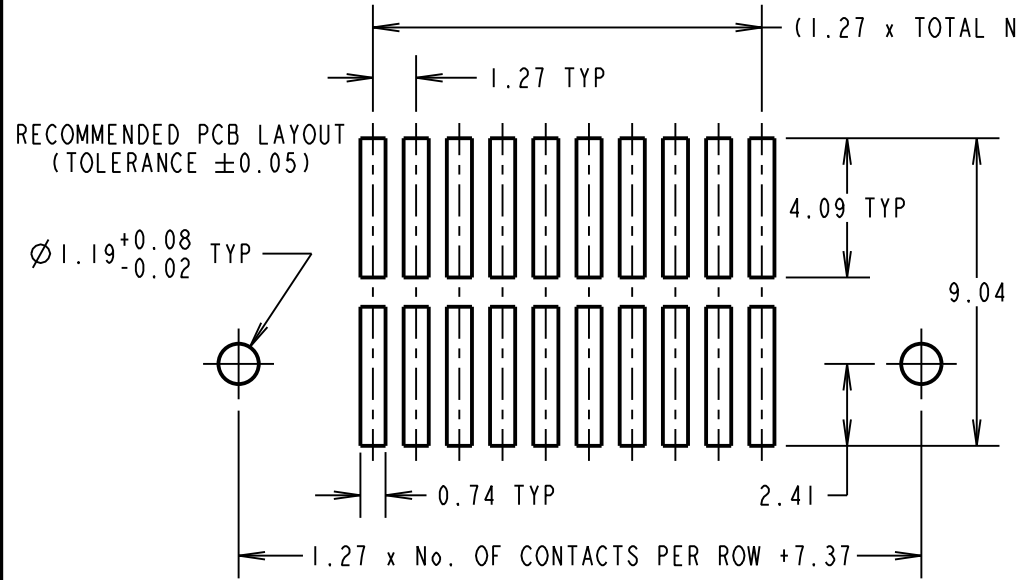
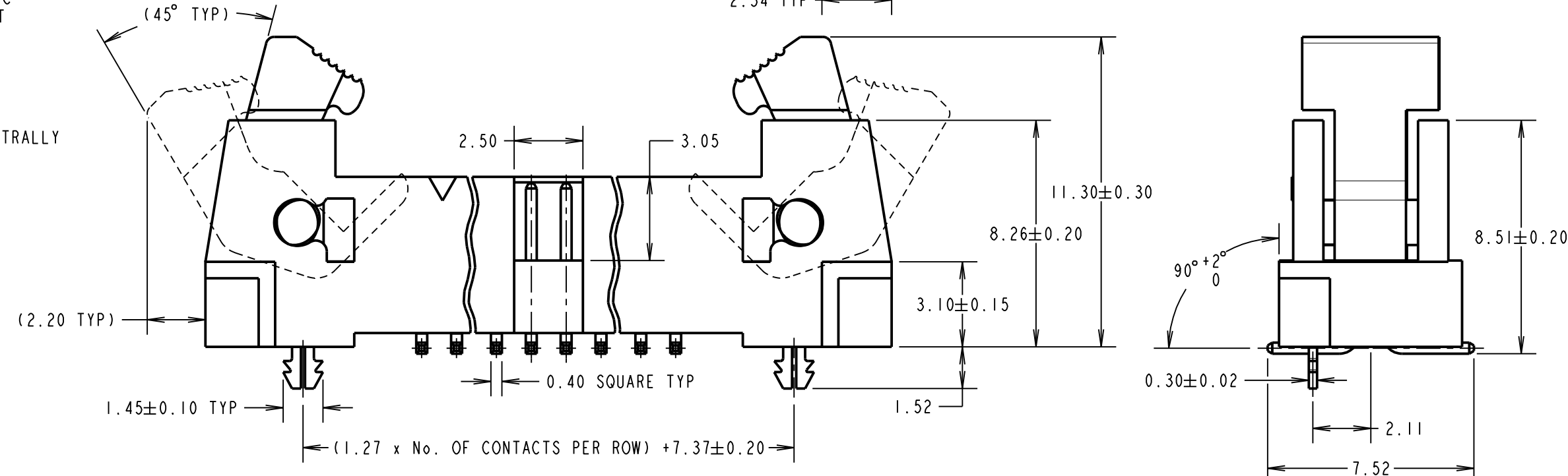
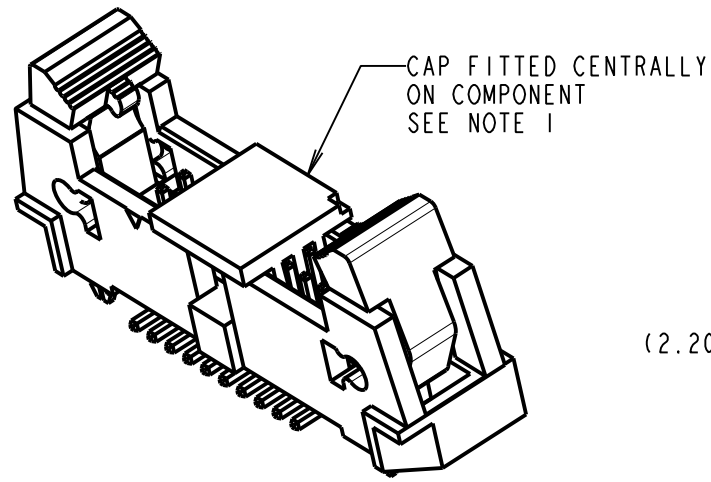
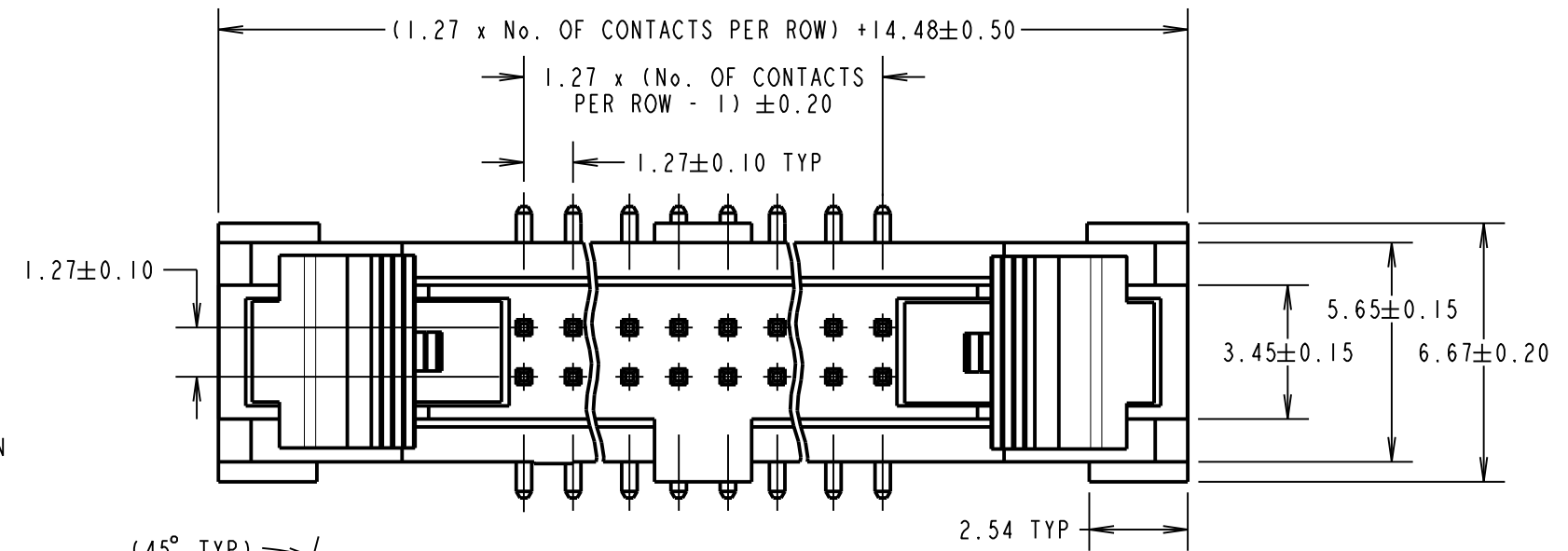
NOT TO SCALE

THIRD ANGLE PROJECTION

ALL DIMENSIONS IN mm

SPECIFICATIONS:
MATERIALS:
 MOULD = LCP, 30% G/F, UL94V-0
 CONTACT = BRASS
 FORK = PHOSPHOR BRONZE
FINISH:
 42 = 0.015-0.02µ GOLD ON CONTACTS,
 2.54µ 100% TIN ON TAILS OVER,
 0.76-2.03µ NICKEL.
 2.03-5.08µ 100% TIN ON FORKS OVER,
 0.76-2.03µ NICKEL.
MECHANICAL:
 DURABILITY = 300 CYCLES MIN
ELECTRICAL:
 RATED CURRENT = 1.75A
 CONTACT RESISTANCE = 20mΩ MAX
 WITHSTAND VOLTAGE = 1000V ACrms/DC FOR 1 MIN
 INSULATION RESISTANCE = 5000MΩ MIN
ENVIRONMENTAL:
 OPERATING TEMPERATURE = -55°C TO +125°C
 FOR COMPLETE SPECIFICATION, SEE COMPONENT
 SPECIFICATION CO29XX (LATEST ISSUE)

ORDER CODE: M50-365XX42R
 No. OF CONTACTS PER ROW:
 05, 06, 07, 08, 10,
 13, 17, 20, 25
 FINISH:
 SELECTIVE GOLD, TIN



- NOTES:**
 1. CAP REMOVED FROM MAIN VIEWS FOR CLARITY, PART COMES WITH CENTRALLY FITTED CAP.
 2. ALL TOLERANCES ARE ±0.25 UNLESS OTHERWISE STATED.
 3. ALL COMPONENTS ARE RoHS AND REACH COMPLIANT.

MSP	9	26.06.17	13531
NAME	ISS.	DATE	C/NOTE
APPROVED:		M. PERREN	
CHECKED:		S. BENNETT	
DRAWN:		R. ADDE	
CUSTOMER REF.:			
ASSEMBLY DRG.:			

 www.harwin.com technical@harwin.com	THIS DRAWING AND ANY INFORMATION OR DESCRIPTIVE MATTER SET OUT HEREON ARE CONFIDENTIAL AND COPYRIGHT PROPERTY OF THE HARWIN GROUP AND MUST NOT BE DISCLOSED, LOANED, COPIED OR USED FOR MANUFACTURING, TENDERING OR FOR ANY OTHER PURPOSE WITHOUT THEIR WRITTEN PERMISSION.	TOLERANCES X = ±1mm X.X = ±0.25mm X.XX = ±0.10mm X.XXX = ±0.01mm ANGLES = ±5° UNLESS STATED	MATERIAL: SEE ABOVE FINISH: SEE ABOVE S/AREA: mm ²	TITLE: 1.27mm DIL SMT EJECTOR HEADER WITH CAP & PEGS TAPE & REELED DRAWING NUMBER: M50-365XX42R	SHT 4 OF 4
--	---	---	--	--	------------------