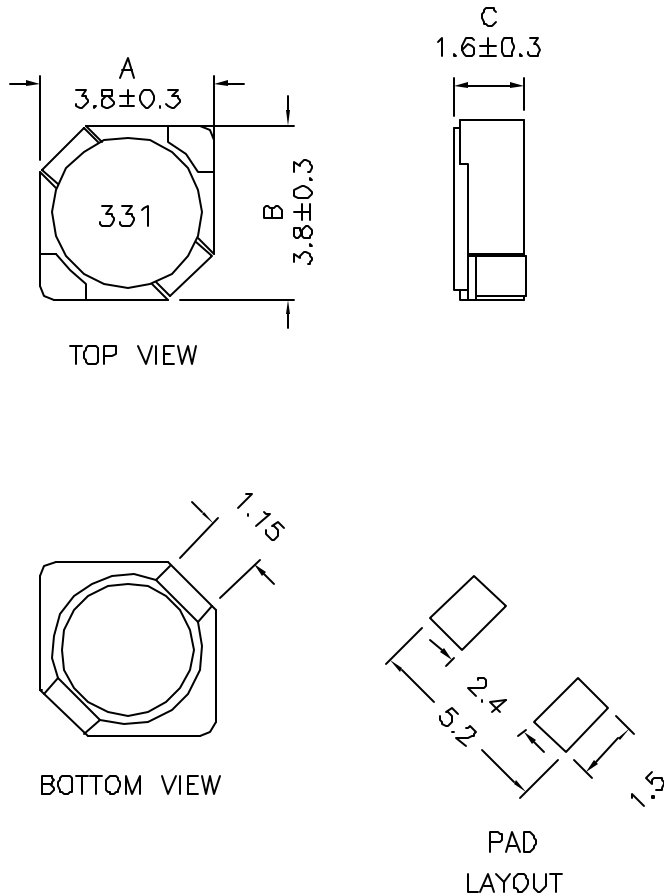
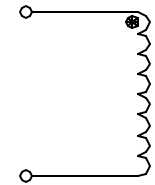


### 1. Mechanical Dimensions:



### 2. Schematic:



### 3. Electrical Specification:

OCL: 330uH ± 20% @ 100KHz 0.1V, 0Adc

DCR: 5.90 Ohms Max

IDC: 0.170Adc Max (Based on 30% drop in OCL)

SRF: 5.5MHz Typ

**Notes:**

1. Solderability: Leads shall meet MIL-STD-202G, Method 208H for solderability.
2. Flammability: UL94V-0
3. ASTM oxygen index: > 28%
4. Insulation System: Class F 155°C. UL file E151555
5. Operating Temperature Range: All listed parameters are to be within tolerance from -40°C to +85°C
6. Storage Temperature Range: -55°C to +125°C
7. Aqueous wash compatible
8. SMD Lead Coplanarity: ±0.004\*(0.102mm)
9. Electrical and mechanical specifications 100% tested
10. RoHS Compliant Component

<b>XFMRs Inc.</b> <a href="http://www.XFMRS.com">www.XFMRS.com</a>	Title: SMT SHIELDED INDUCTOR		
	UNLESS OTHERWISE SPECIFIED TOLERANCES: .x ±0.25mm Dimensions in mm	P/N: XFTPRH3D16-331M	REV. A
SHEET 1 OF 1	DWN.	Juan Mao	Mar-22-06
	CHK.	YK Liao	Mar-22-06
	APP.	BW	Mar-22-06

DOC. REV: A/1