

SILICON STEP RECOVERY DIODE

DESCRIPTION:

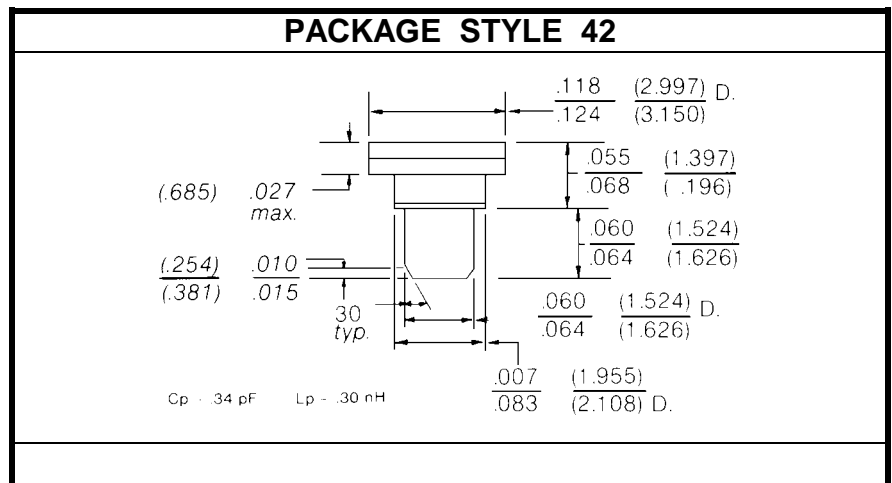
The **ASI 5082-0310** is a Silicon Step Recovery Diode Designed as a X 8 Frequency Multiplier with X-Band Output Frequencies.

FEATURES INCLUDE:

- Replacement for **HP 5082-0310**
- **P_{OUT}** = 400 mW min. @ 6 GHz (X 10)
- Hermetic Package

MAXIMUM RATINGS

I_F	100 mA
P_{DISS}	4.1 W @ T _C = 25 °C
T_J	-65°C to +150 °C
T_{STG}	-65°C to +150 °C
θ_{JC}	30 °C/W


CHARACTERISTICS T_A = 25 °C

SYMBOL	TEST CONDITIONS	MINIMUM	TYPICAL	MAXIMUM	UNITS
V_{BR}	I _R = 10 μA	40		80	V
C_{J10}	V _R = 10 V f = 1.0 MHz	1.6		2.7	pF
τ	I _F = 10 mA I _R = 6 mA		75		μS
t_t	Charge Level = 1000 pC, measured at 20% & 80% points		160		pS
P_{OUT}	P _{IN} = 4.0 W F _{IN} = 0.6 GHz F _{OUT} = 6.0 GHz	400			mW