

# AutoOn

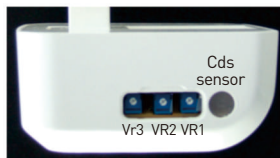
## Features

AutoOn is a microwave sensor that detects minute motion of human bodies and reflective objects. The detection range can be adjusted according to the area of the application.

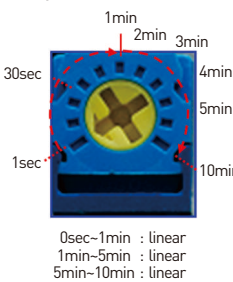
## Applications

- Intrusion alarm
- Automatic door
- Automatic light control-energy saving
- System air conditioner – zone control

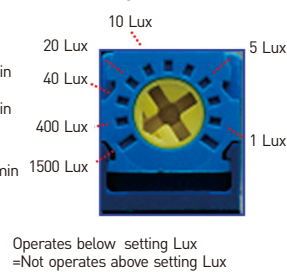
### Picture and Setting



Operation Time (VR3)



Brightness (VR2)



Coverage (VR1)



## Specifications

Item	Specification	Default setting	Note
Voltage	Single phase 110~250 VAC, 50~60 Hz	-	
Load	1,100 Watt max.	-	
Ambient temperature	-10 ~ 60 °C	-	Indoor use only
Humidity	50% max.	-	Avoid a humid condition
VR1	range	CW: decrease , CCW: increase	Max. range detection range: 3~25m
VR2	Cds sensor 1 ~1,500 Lux	CW: lighter CCW: darker	Always on min: Cds ON max: Cds ON at dark
VR3	Time	CW: decrease, CCW: increase	1 second 1second~10minute
Angle Control	Vertical and Horizontal	-	
Size	85 x 145 x 100 mm <sup>3</sup>	-	

Warning : The specifications can be changed without any notice.

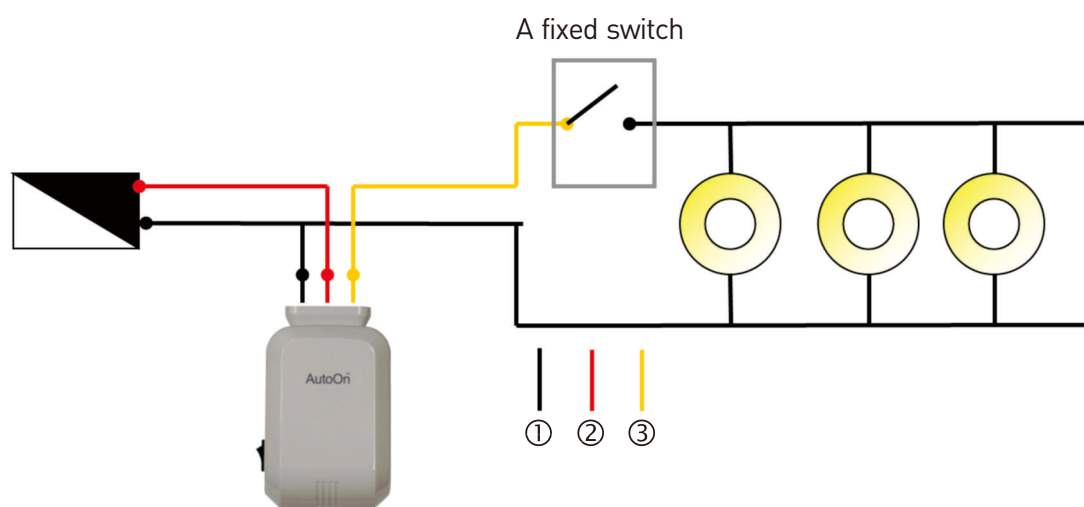
# AutoOn

## Wiring



No	Wire Color
1	Black
2	Red
3	Yellow

## Wiring - when load is less than 1000W



※ CAUTION-when connection is mismatched, the product could be damaged