

Model: TVD120

Characteristics:

Voltage sampling, relay Protection, display instrument driver.

Technical index:

Mounting type: Plate type

Flame resistance: UL94-V0

Execution standard: GB1208-2006

Operating temperature: -35°C ~ +85°C

Storage temperature: -45°C ~ +95°C

Frequency range: 50Hz-60Hz

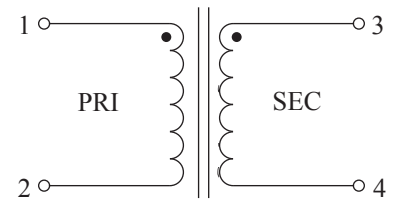
Dielectric strength: 3KV 50Hz 1min (Secondary/Primary)



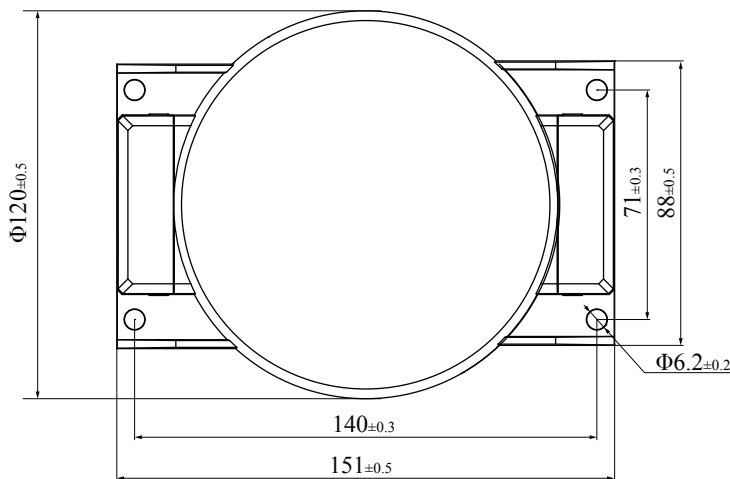
Electrical parameters:

Rated input	100-1140	V
Max. input		V
Rated output	100-600	V
Accuracy	0.1-0.5	%
power	4-15	VA
Working voltage	720	V
Weight	2.5	Kg

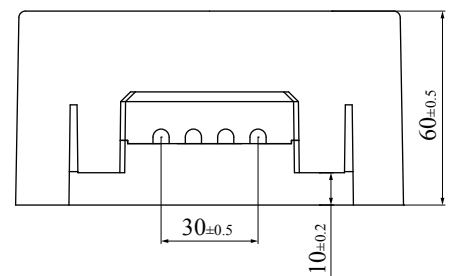
Schematic diagram:



Dimensions (in mm) :



Top view



Side view