

# Bussmann series XL Photovoltaic fuse links



## Product description

Eaton's Bussmann series range of XL package fuse links is specifically designed to protect and isolate photovoltaic array combiners and disconnects. These fuse links are capable of interrupting low overcurrents associated with faulted PV systems (reverse current, multi-array fault).

## Standard features

- Global accreditations
- Compatible with Eaton's Bussmann series PV XL bases range (see data sheet 10066)

**Catalogue symbol**

1000 V d.c.: Bladed PV-(amp rating)A-(size)XL

Bolted PV-(amp rating)A-(size)XL-B

1500 V d.c.: Bladed PV-(amp rating)A-(size)XL-15

Bolted PV-(amp rating)A-(size)XL-B-15

**Fuse size**

- 01XL, 1XL, 2XL and 3L

**Technical data**

Rated voltage: 1000, 1100, 1200, 1500 V d.c.

Rated current: 50 to 600 A

Breaking capacity:

- 1000 V d.c.
  - Size 01 and 3: 50kA
  - Size 1 and 2: 33kA
- 1500 V d.c. : 30kA

Time constant: 1-3 mS

Class of operation: gPV and UL PV fuse links

Minimum interrupting rating:  $2 \times I_n$

**Standards/Approvals**

- IEC 60269-6
- UL 2579 (file number E335324)
- RoHS compliant

**Microswitches**

- For bladed fuse links
  - 170H0235 or 170H0237 for 01XL
  - 170H0236 or 170H0238 for 1XL, 2XL and 3L
- For bolted fuse links
  - 170H0069 for all sizes

**Fuse holders (ordered separately)**

- SB1XL-S (suitable for size 01 and 1XL)
- SB2XL-S (suitable for 2XL)
- SB3L-S (suitable for 3L)

**Packaging**

- MOQ: 1

**Table 1. Technical data 1000 V d.c.**

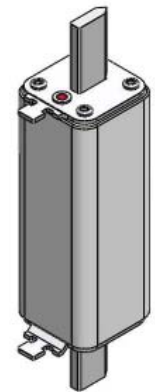
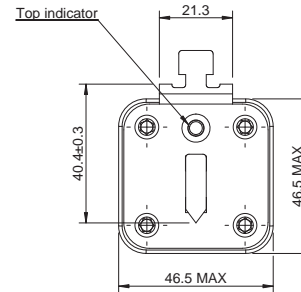
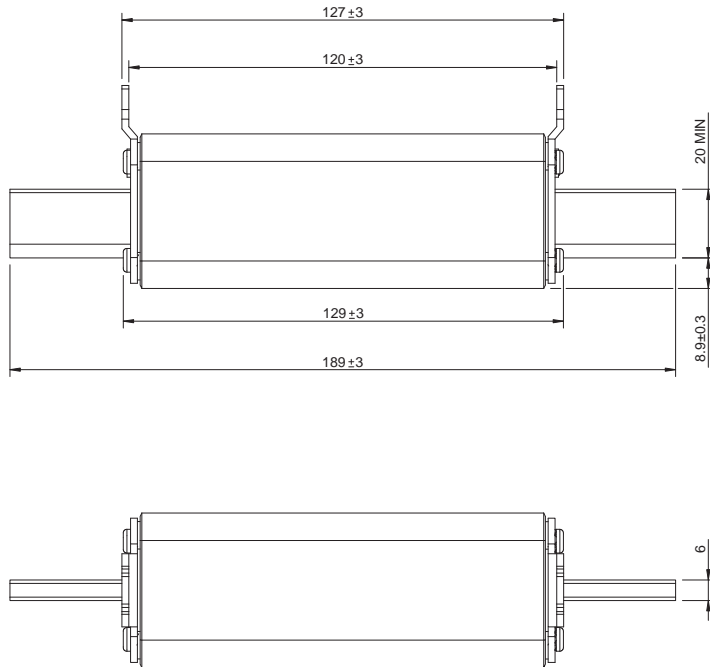
Catalogue numbers		Fuse size	Current (amps)	Voltage (V d.c.)	Energy integrals I <sup>2</sup> t (A <sup>2</sup> S)		Watts loss	
Bladed	Bolted				Pre-arcing	Total at 1000V	0.8I <sub>n</sub>	I <sub>n</sub>
PV-63A-01XL	PV-63A-01XL-B	01	63	1000	260	1900	13	24
PV-80A-01XL	PV-80A-01XL-B	01	80	1000	490	3600	17	29
PV-100A-01XL	PV-100A-01XL-B	01	100	1000	870	6300	18	32
PV-125A-01XL	PV-125A-01XL-B	01	125	1000	1930	13900	20	40
PV-160A-01XL	PV-160A-01XL-B	01	160	1000	3900	28100	22	44
PV-200A-1XL	PV-200A-1XL-B	1	200	1000	9400	27260	31	60
PV-160A-2XL	PV-160A-2XL-B	2	160	1000	2780	21000	25	44
PV-200A-2XL	PV-200A-2XL-B	2	200	1000	4950	37000	28	50
PV-250A-2XL	PV-250A-2XL-B	2	250	1000	9450	70000	34	60
PV-315A-2XL	PV-315A-2XL-B	2	315	1000	16600	123000	40	66
PV-355A-2XL	PV-355A-2XL-B	2	355	1000	26000	192000	42	68
PV-350A-3L	PV-350A-3L-B	3	350	1000	31000	161200	40	65
PV-400A-3L	PV-400A-3L-B	3	400	1000	44500	231400	48	82
PV-500A-3L	PV-500A-3L-B	3	500	1000	85000	442000	50	85
PV-600A-3L	PV-600A-3L-B	3	600	1000	137000	712400	80	108

**Table 2. Technical data 1500 V d.c.**

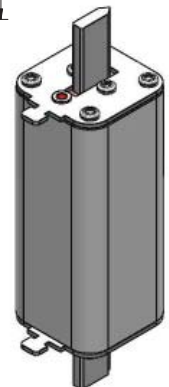
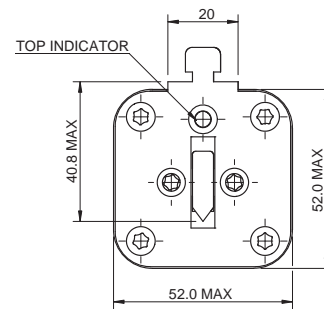
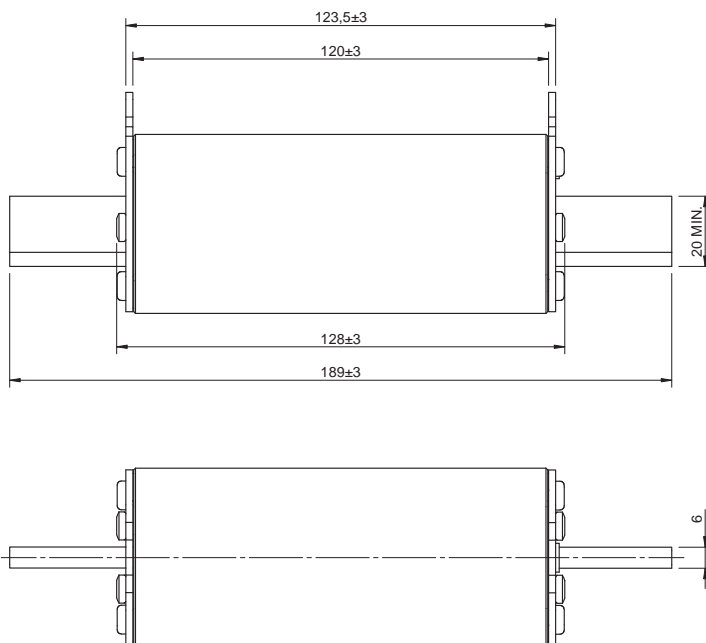
Catalogue numbers		Fuse size	Current (amps)	Voltage (Vdc)	Energy integrals I <sup>2</sup> t (A <sup>2</sup> S)		Watts loss	
Bladed	Bolted				Pre-arcing	Total at 1000V	0.8I <sub>n</sub>	I <sub>n</sub>
PV-50A-01XL-15	PV-50A-01XL-B-15	01	50	1500	175	1000	14	25
PV-63A-01XL-15	PV-63A-01XL-B-15	01	63	1500	362	2250	15	26
PV-80A-01XL-15	PV-80A-01XL-B-15	01	80	1500	565	3300	19	35
PV-100A-01XL-15	PV-100A-01XL-B-15	01	100	1500	1100	6600	22	40
PV-125A-01XL-15	PV-125A-01XL-B-15	01	125	1500	2200	10500	23	42
PV-160A-01XL-12	PV-160A-01XL-B-15	01	160	1200	5000	24000	26	52
PV-100A-1XL-15	PV-100A-1XL-B-15	1	100	1500	1250	6000	24	43
PV-125A-1XL-15	PV-125A-1XL-B-15	1	125	1500	1950	9360	25	52
PV-160A-1XL-15	PV-160A-1XL-B-15	1	160	1500	4200	20160	30	58
PV-200A-1XL-15	PV-200A-1XL-B-15	1	200	1500	9400	45120	31	61
PV-125A-2XL-15	PV-125A-2XL-B-15	2	125	1500	2200	15000	25	44
PV-160A-2XL-15	PV-160A-2XL-B-15	2	160	1500	5000	32000	29	48
PV-200A-2XL-15	PV-200A-2XL-B-15	2	200	1500	8800	51000	32	57
PV-250A-2XL-15	PV-250A-2XL-B-15	2	250	1500	16600	85000	40	70
PV-250-3L-15	PV-250-3L-B-15	3	250	1500	22300	92000	32	50
PV-315A-3L-15	PV-315A-3L-B-15	3	315	1500	38000	160000	36	66
PV-355A-3L-15	PV-355A-3L-B-15	3	355	1500	44500	184000	44	80
PV-400A-3L-15	PV-400A-3L-B-15	3	400	1500	58000	240000	49	91

**Dimensions - mm**

Bladed - size 01XL

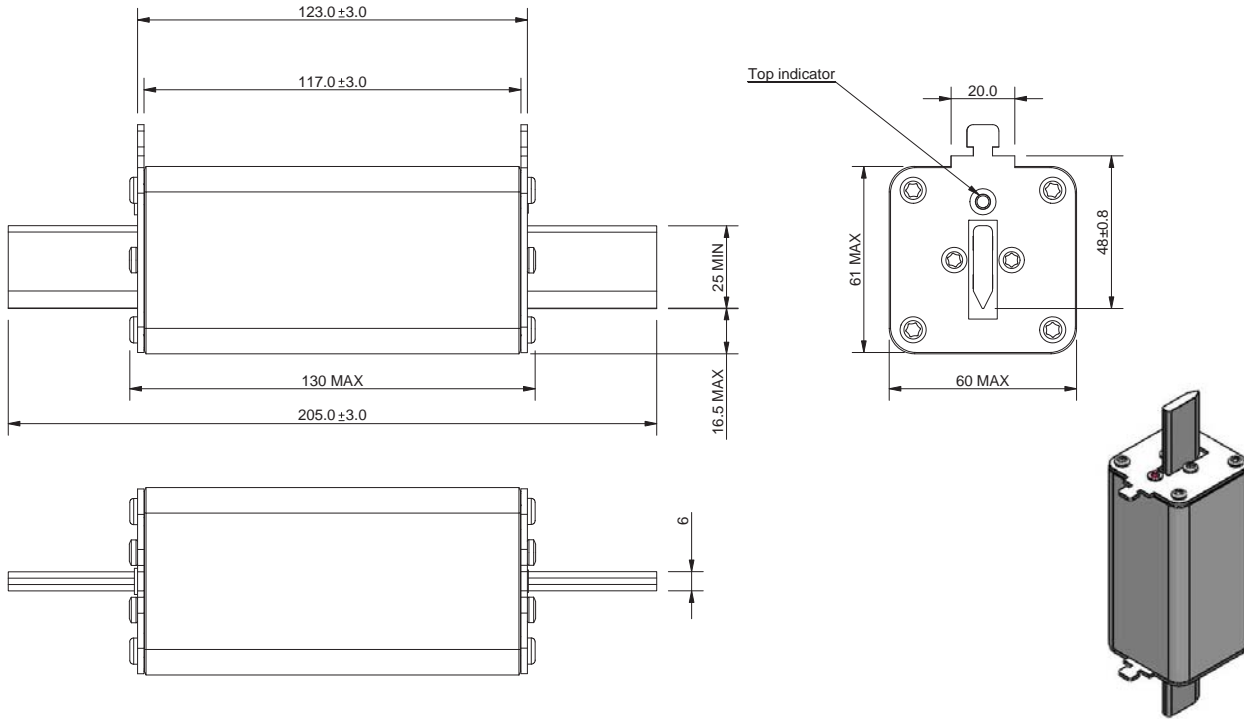


Bladed - size 1XL

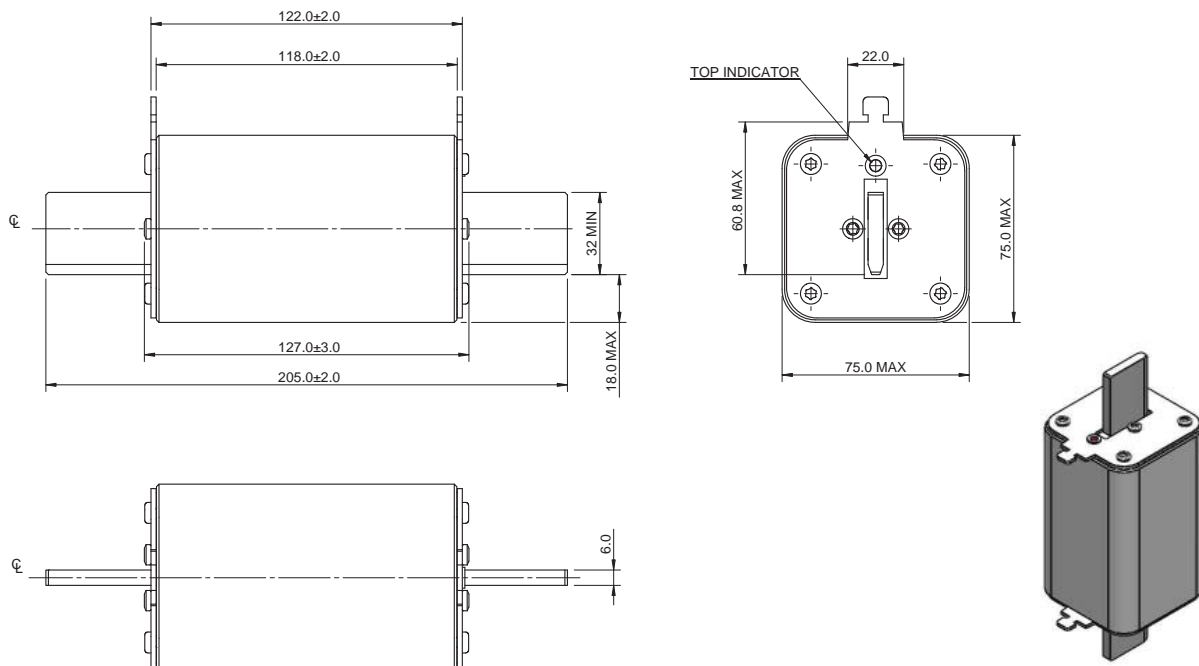


**Dimensions - mm**

Bladed - size 2XL

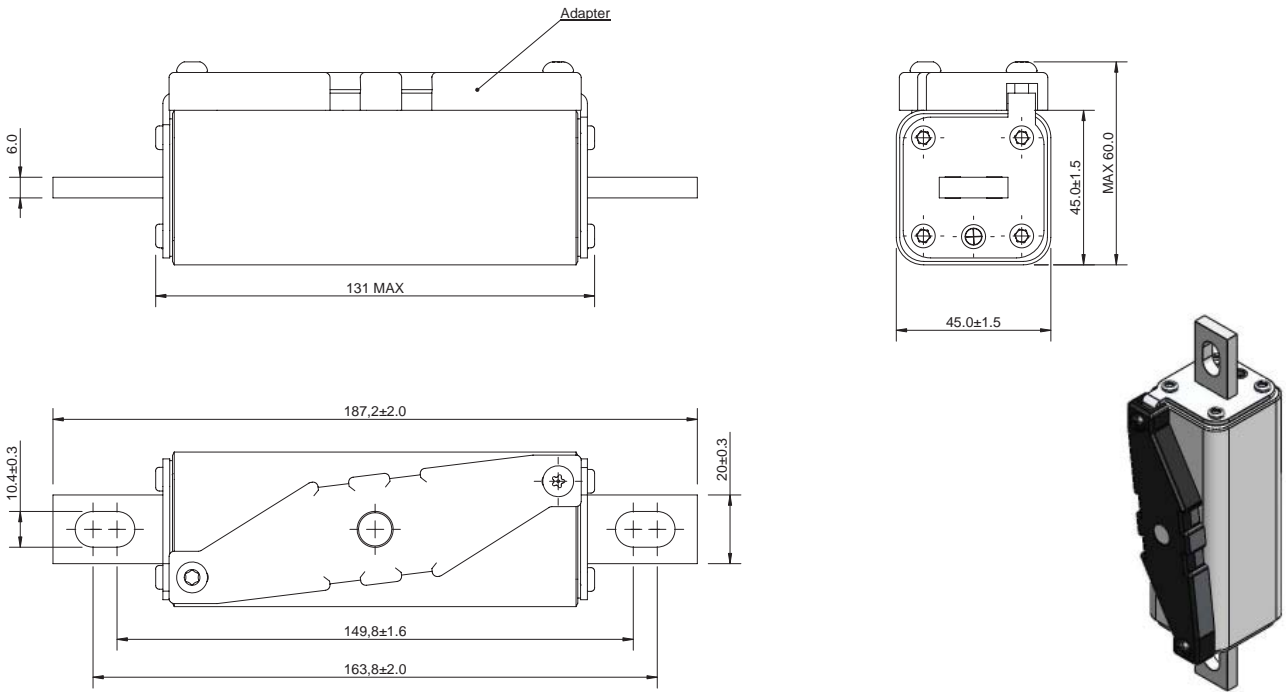


Bladed - size 3L

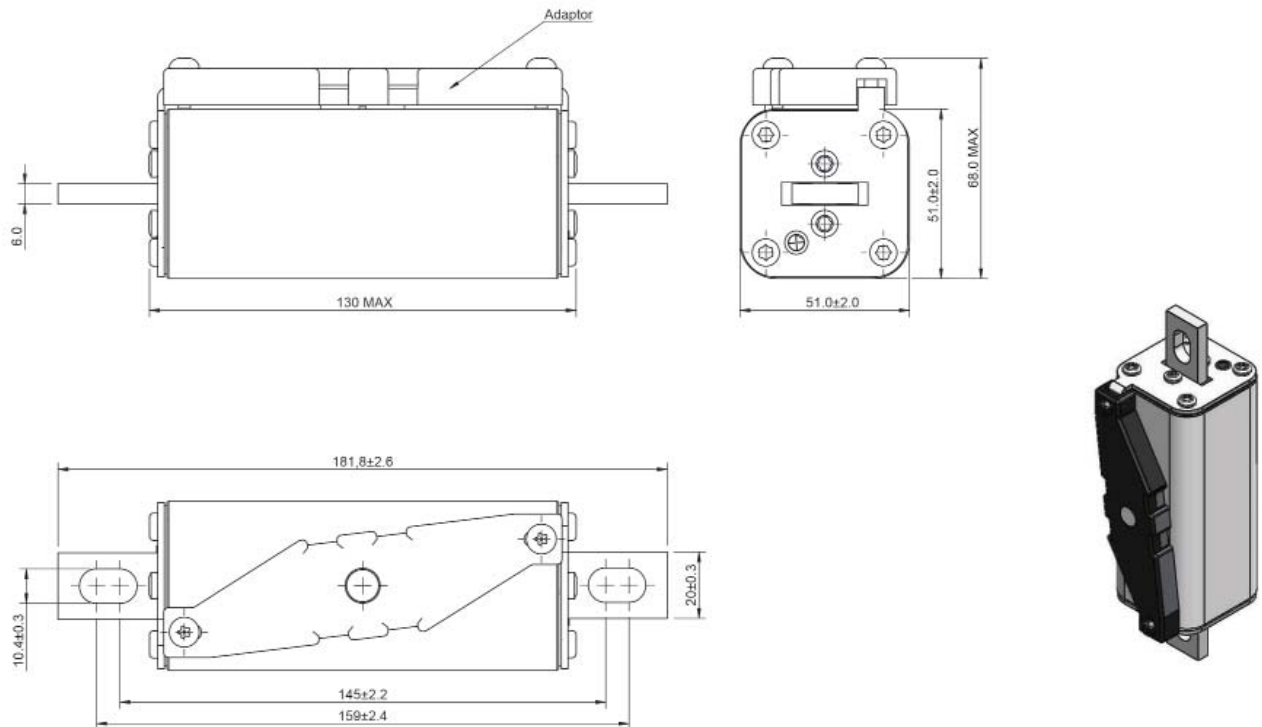


**Dimensions - mm**

Bolted - size 01XL

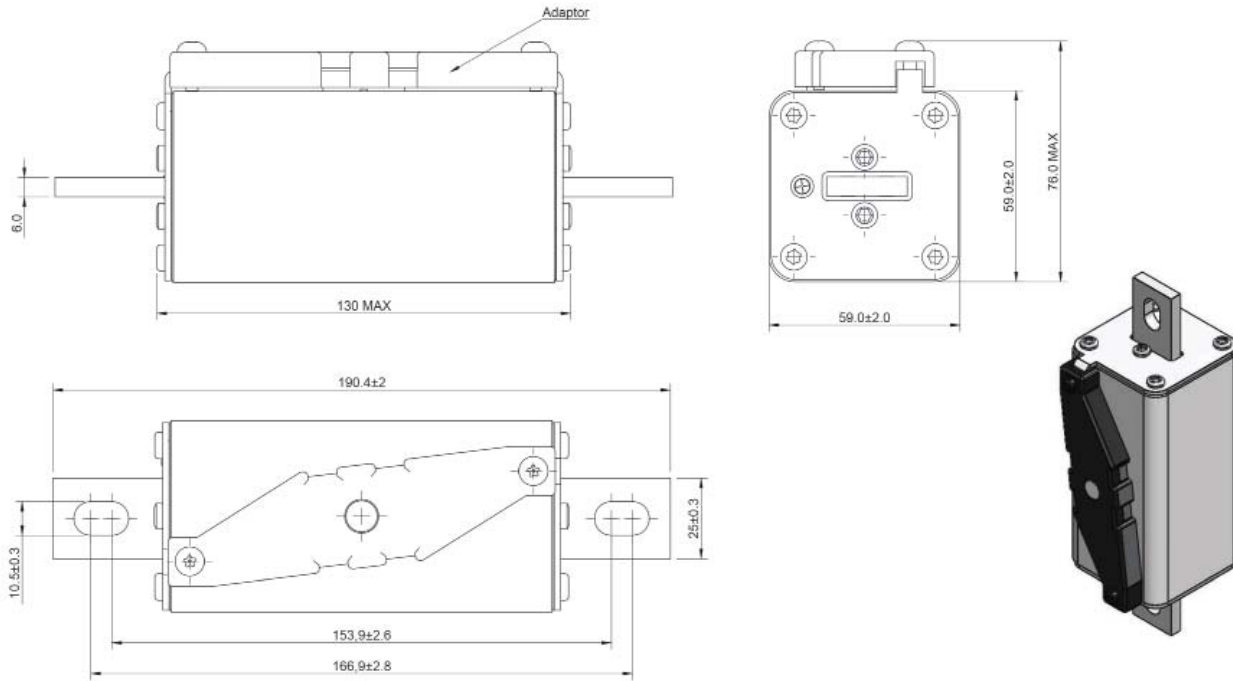


Bolted - size 1XL

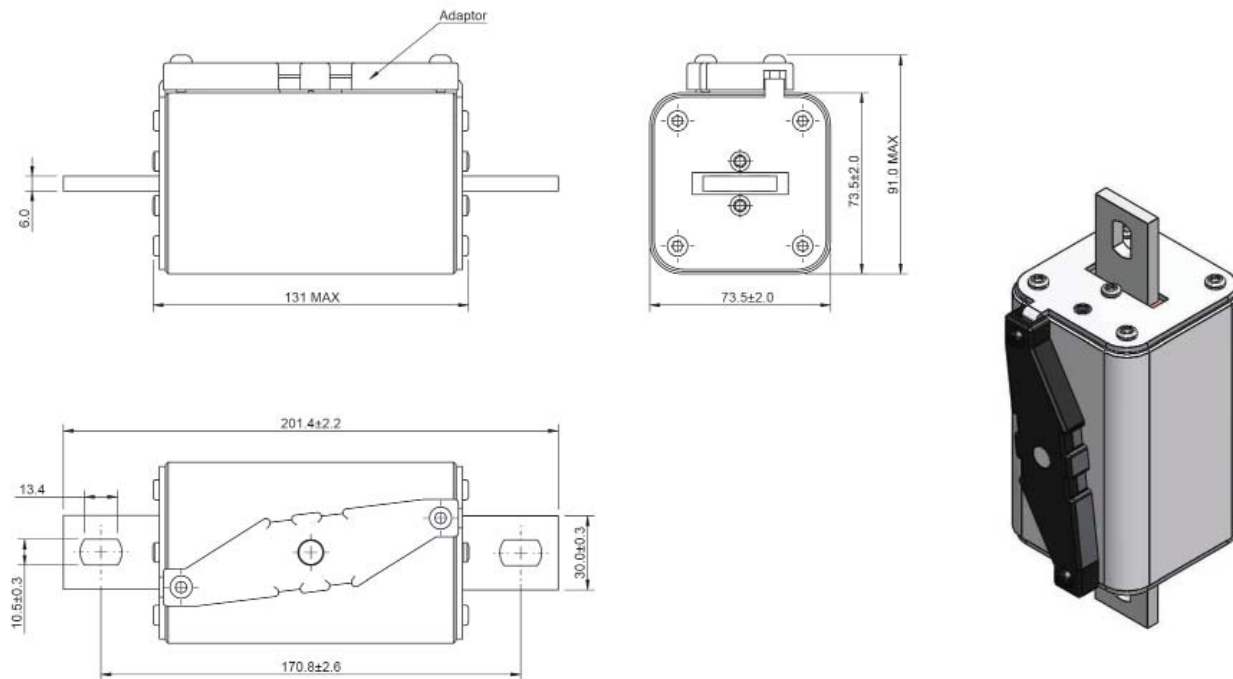


**Dimensions - mm**

Bolted - size 2XL

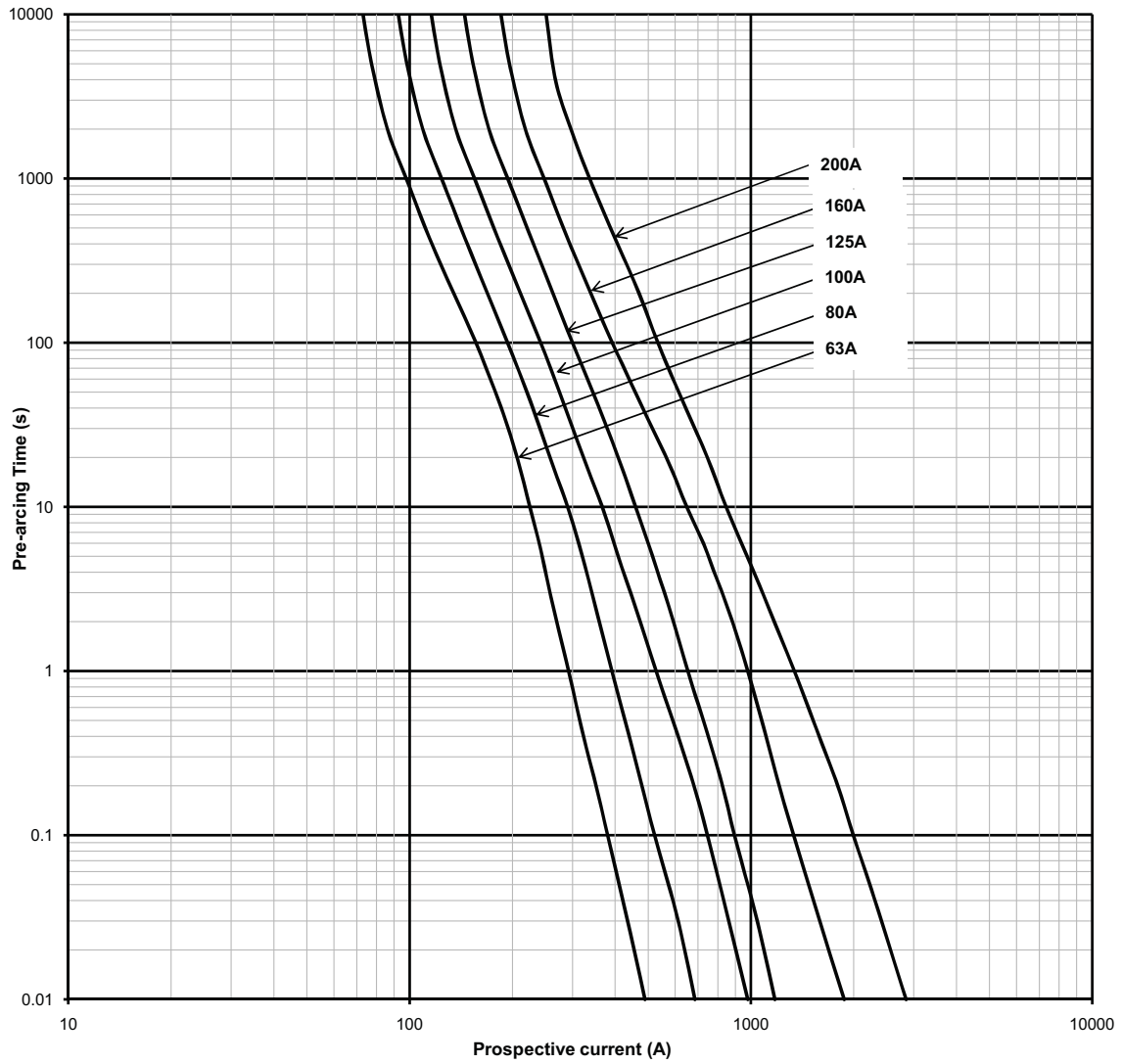


Bolted - size 3L



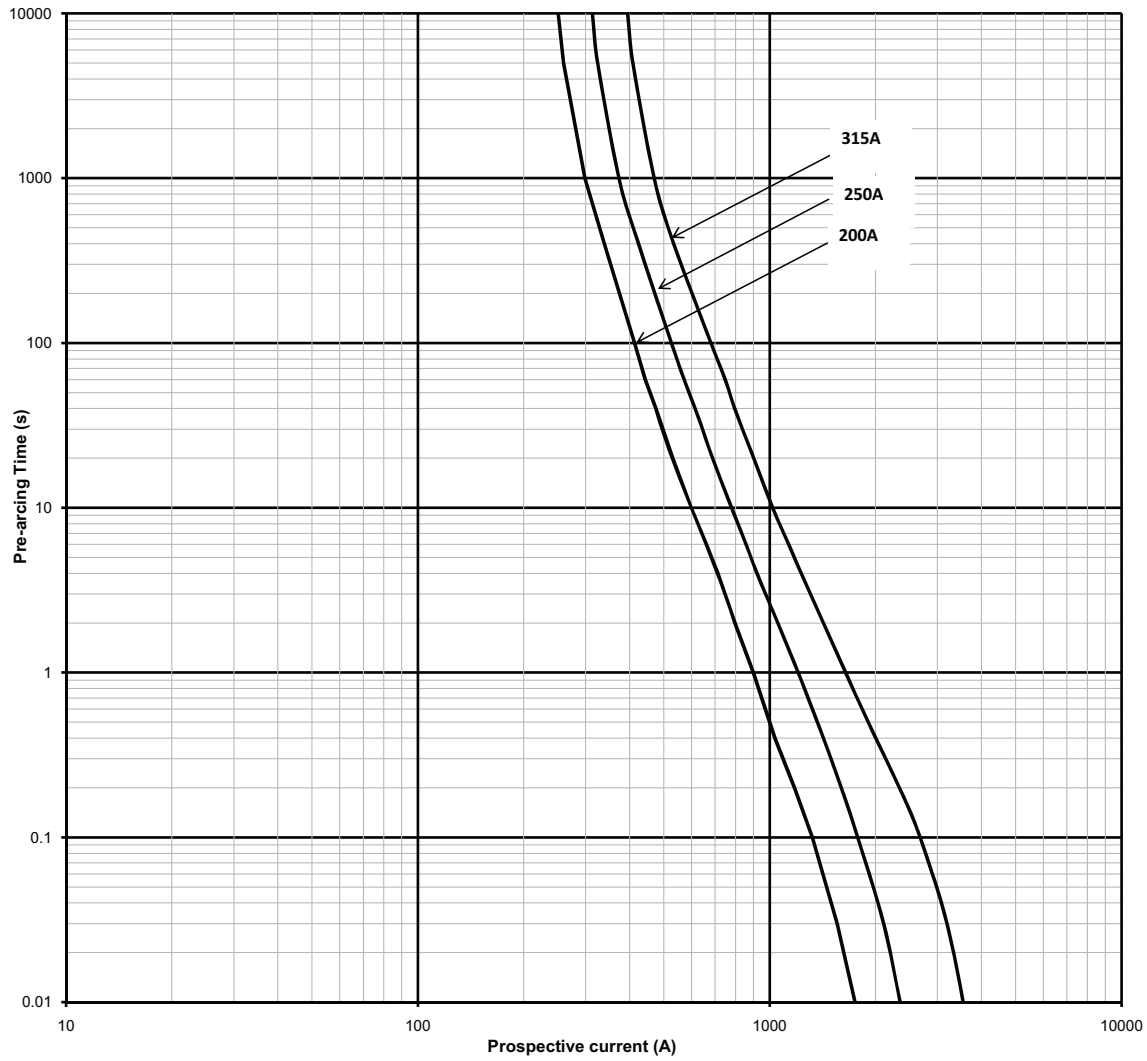
**Time current curve**

Bladed - 01XL



**Time current curve**

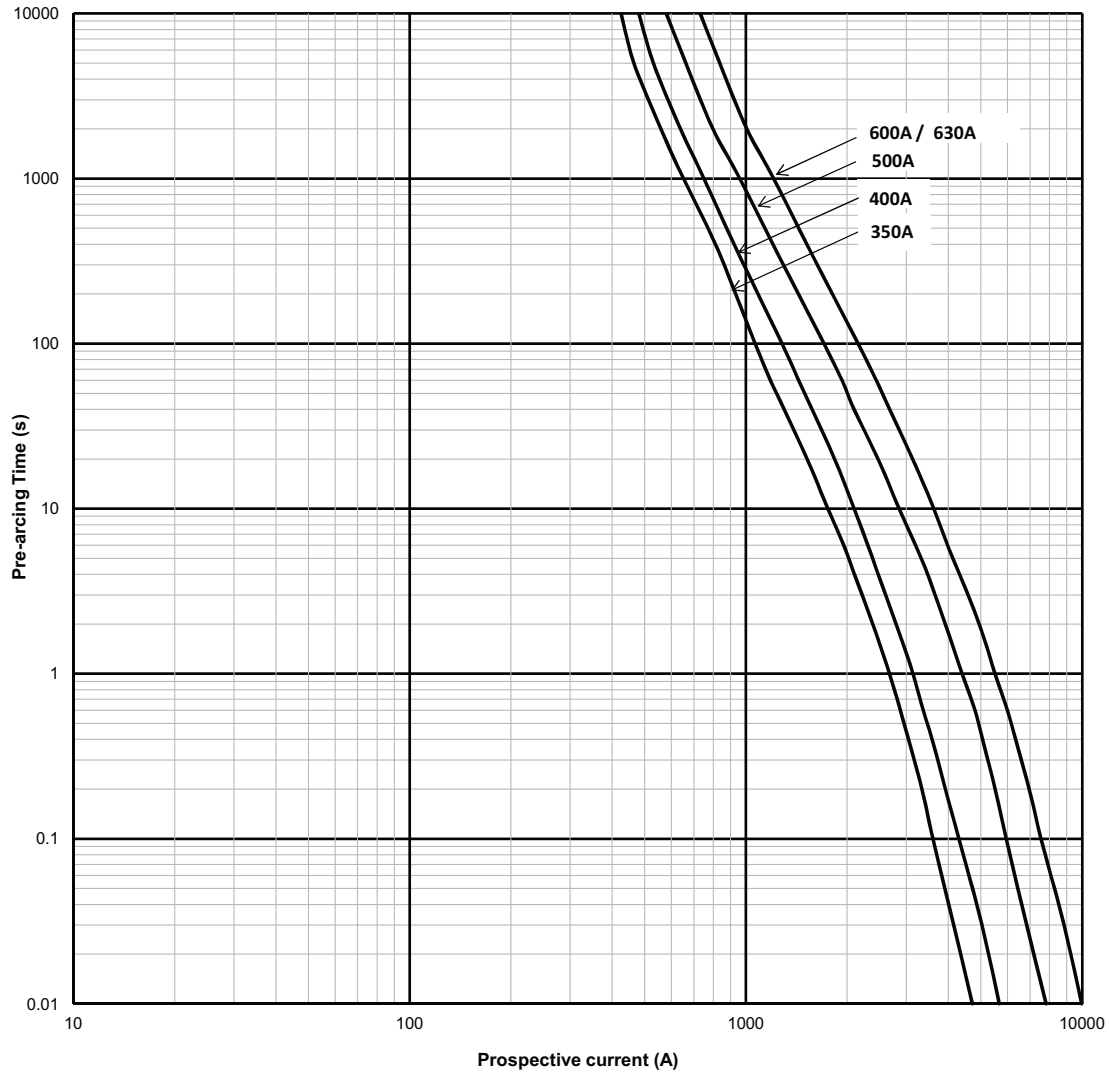
Bladed - 2XL





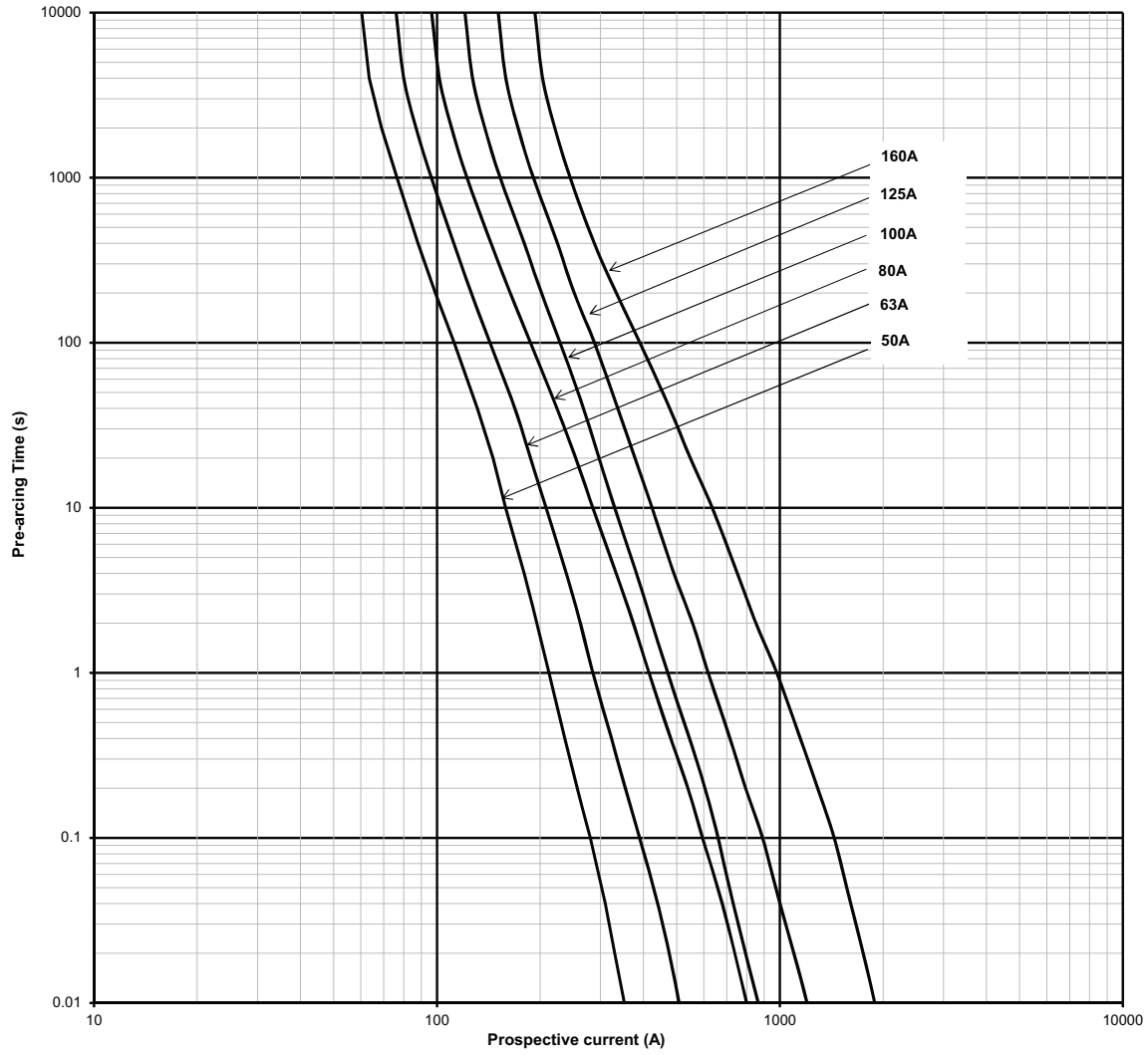
**Time current curve**

Bladed - 3L



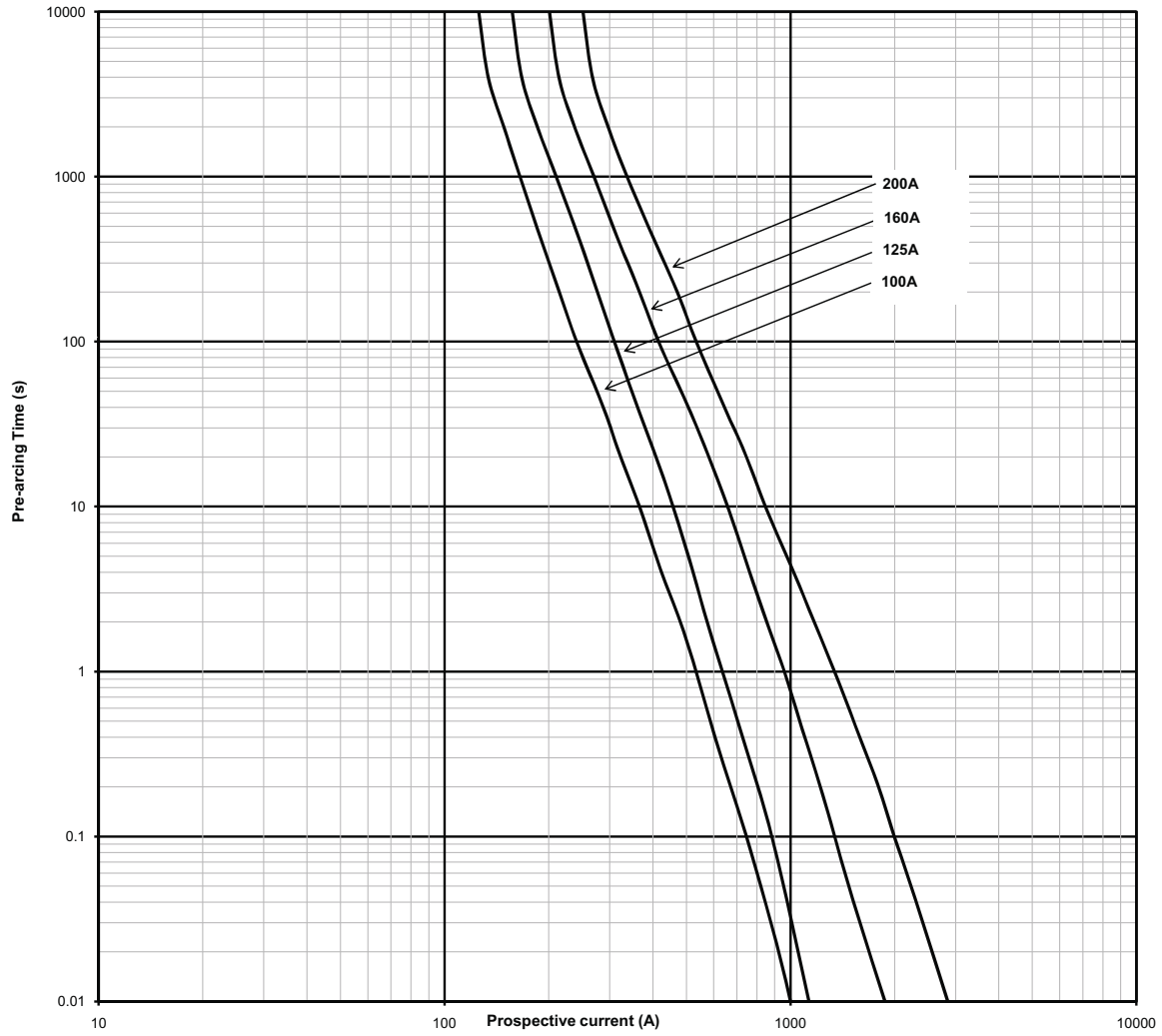
**Time current curve**

Bolted - 01XL



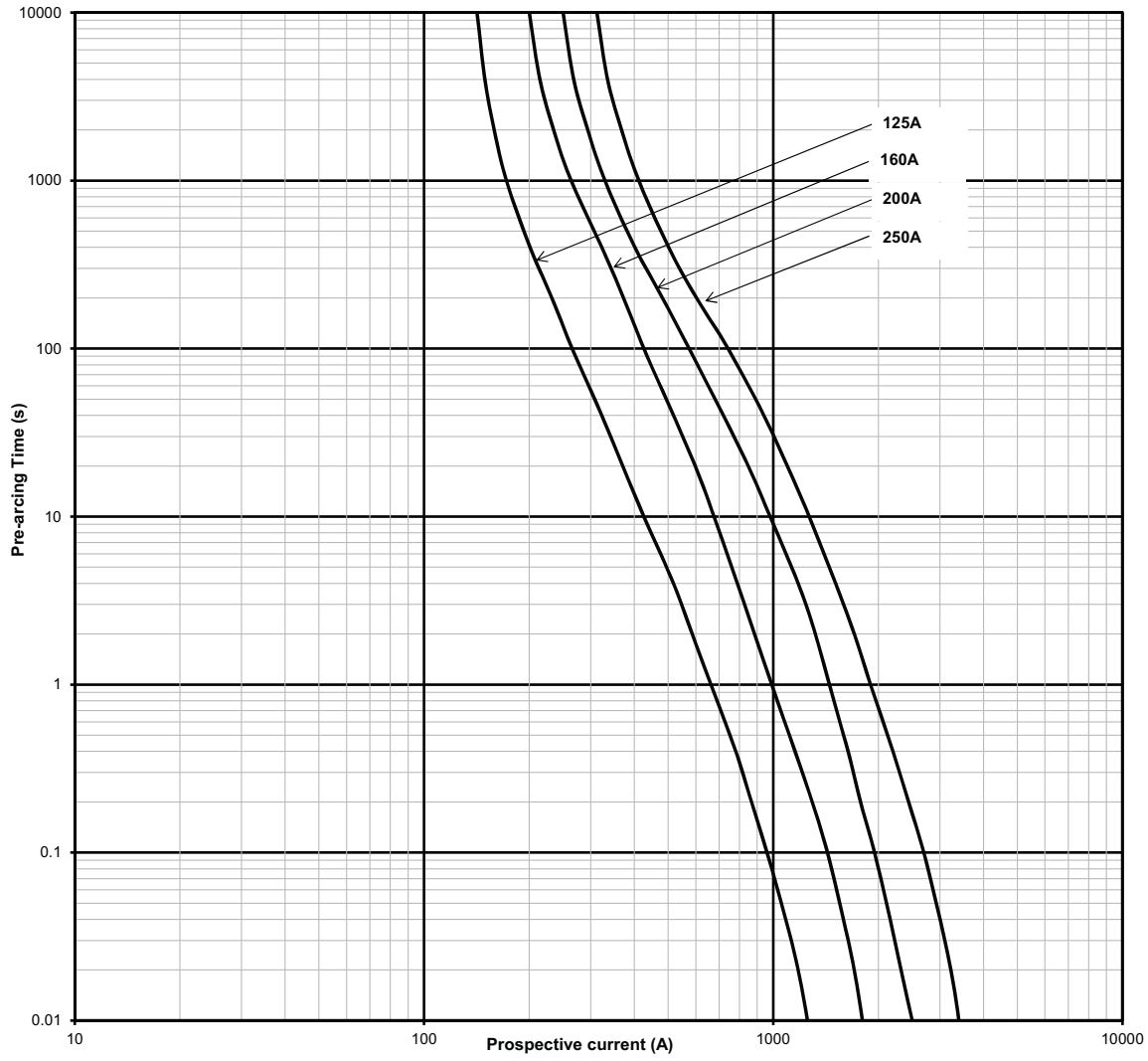
**Time current curve**

Bolted - 1XL



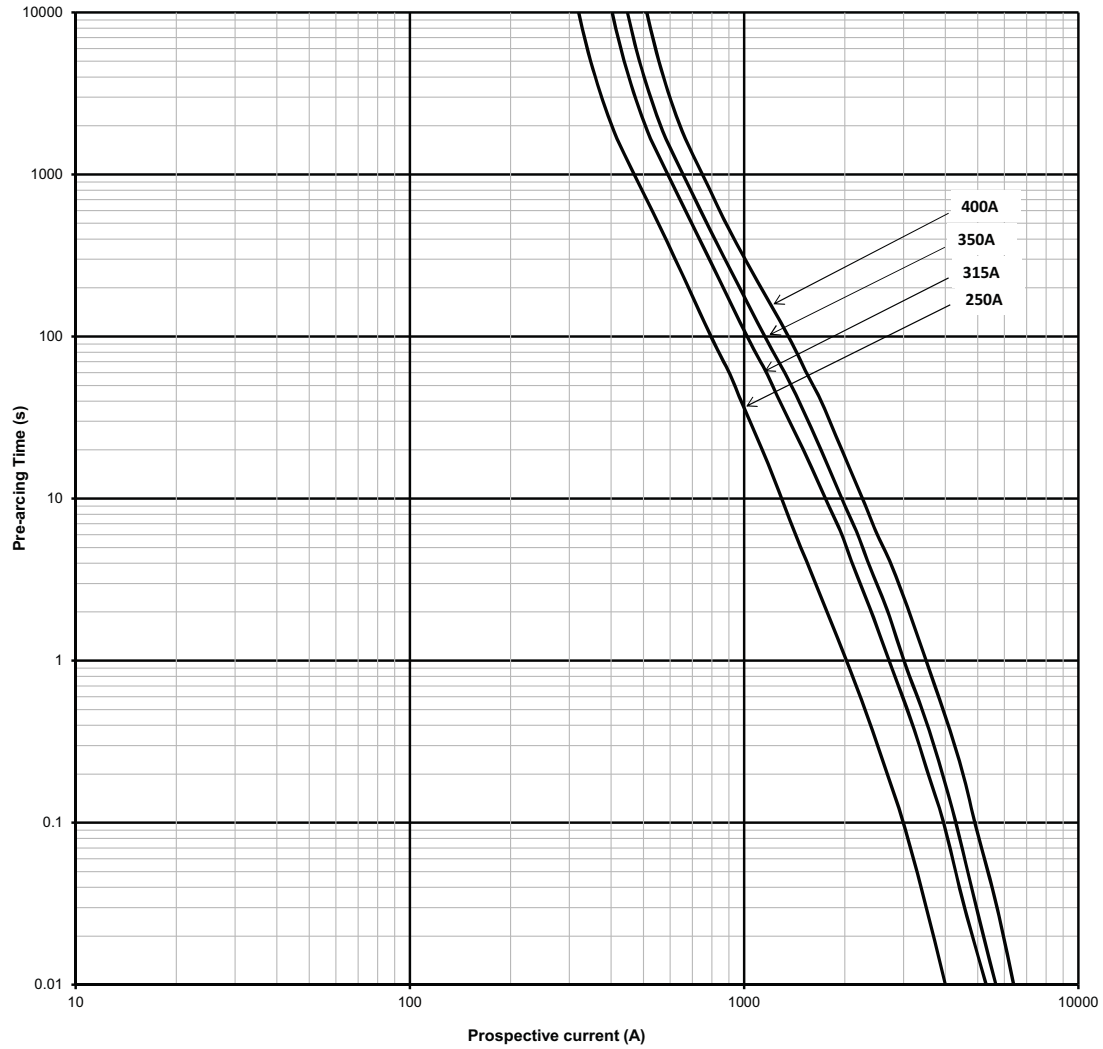
**Time current curve**

Bolted - 2XL

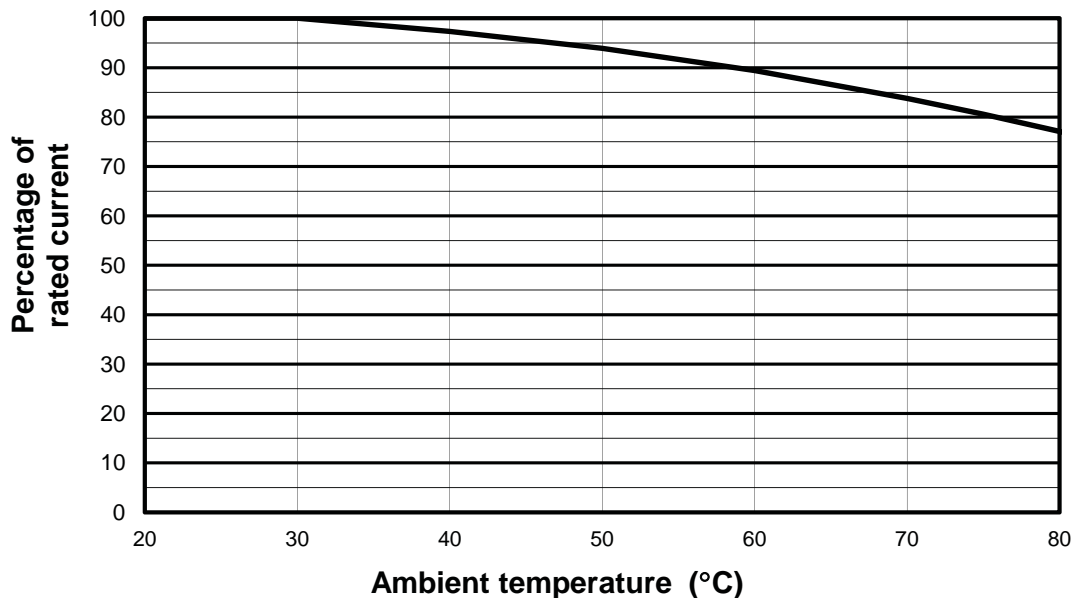


**Time current curve**

Bolted - 3L



Temperature derating curve



Changes to the products, to the information contained in this document, and to prices are reserved; so are errors and omissions. Only order confirmations and technical documentation by Eaton is binding. Photos and pictures also do not warrant a specific layout or functionality. Their use in whatever form is subject to prior approval by Eaton. The same applies to Trademarks (especially Eaton, Moeller, and Cutler-Hammer). The Terms and Conditions of Eaton apply, as referenced on Eaton Internet pages and Eaton order confirmations.

**Eaton**  
EMEA Headquarters  
Route de la Longeraie 7  
1110 Morges, Switzerland  
Eaton.eu

© 2015 Eaton  
All Rights Reserved  
Publication No. 10201  
September 2015

