

SMPS Inductor

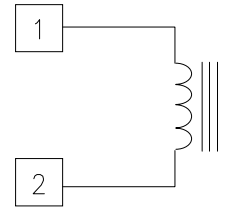
Iron Powder Material (Hydrogen Reduced)

Well Suited for Switch Mode Power Supplies and Regulator Applications.

Toroid Mount Available

Wire UL rated Class B (130° C) or better

Schematic Diagram

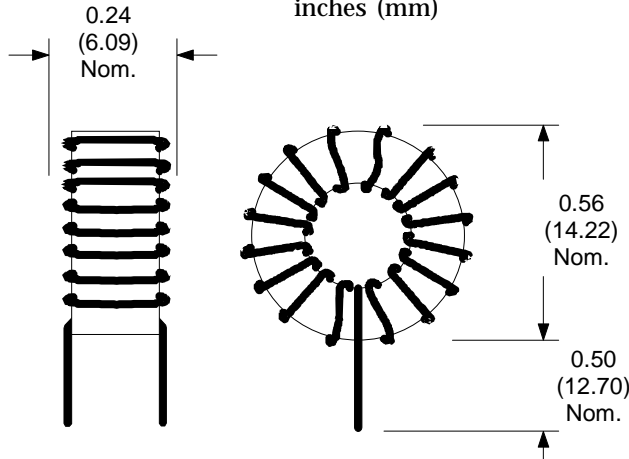


Electrical Specifications at 25°C

| Part Number | L ⁽¹⁾ (μ H) | I ⁽²⁾ max. Amps | Energy min. ⁽³⁾ (μ J) | DCR Max (m Ω) | Lead Size AWG |
|-------------|--------------------------------|----------------------------------|---|-----------------------------|---------------------|
| L-11128 | 220 | 1 | 110 | 590 | 30 |

- 1) Typical Inductance with no DC. Tolerance of $\pm 15\%$
- 2) Maximum DC current. This value is for a 40°C temperature rise due to copper loss. with AC flux density kept to 10 gauss or less. (This typically represents a current ripple of less than 1%).
- 3) Energy storage capability of component in micro joules. value is for 20% reduction in permeability.

Physical Dimensions
inches (mm)



RHOMBUS P/N: L-11128

CUST P/N:

NAME:

DATE: 2/14/00

SHEET: 1 OF 1