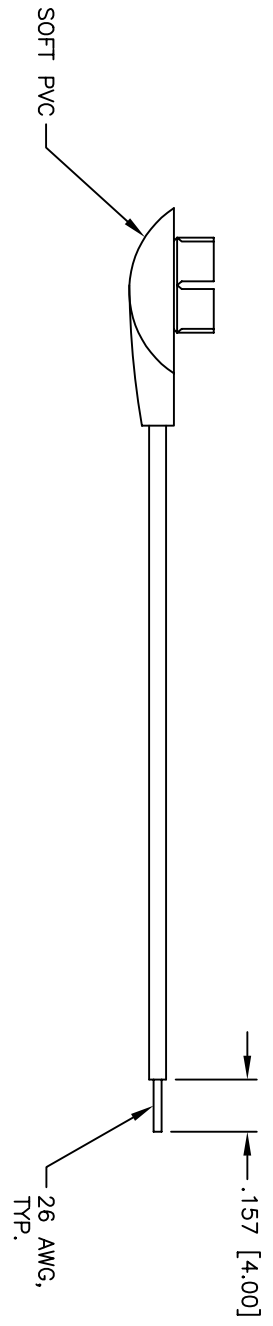
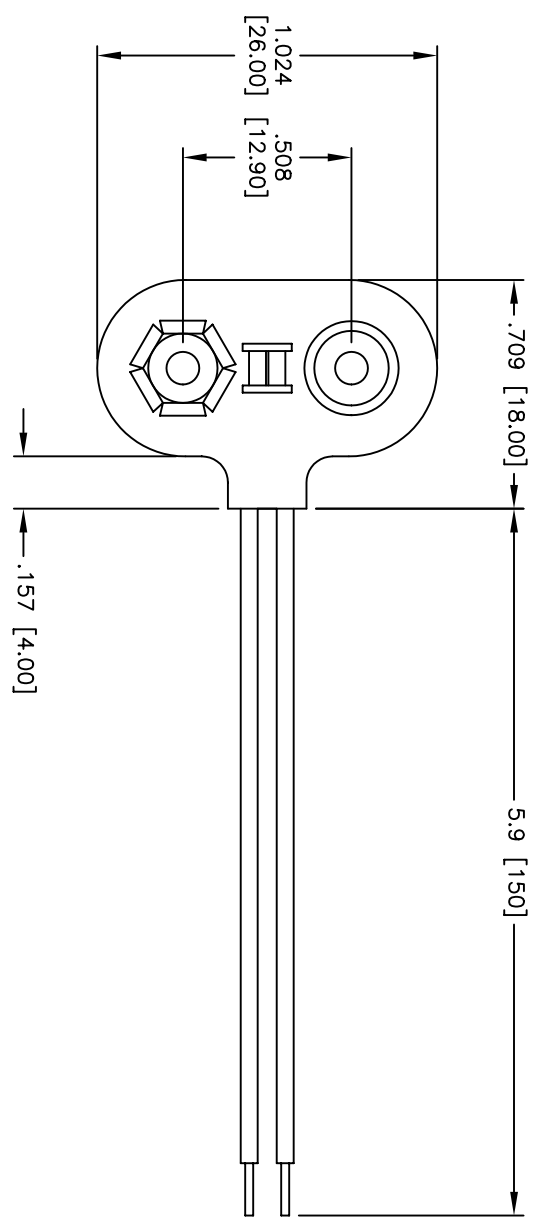


APPROVED: \_\_\_\_\_  
 DATE: \_\_\_\_\_ TITLE: \_\_\_\_\_

Rev	AWO #	Description	Date	Appr
-		RELEASED	1/26/05	



**SPECIFICATIONS:**  
 Material:  
 Soft PVC  
 Snap terminals: Brass, Nickel plated  
 Wire: 26 AWG, PVC insulation  
 Electrical:  
 Operating voltage: 9 VDC max.  
 Temperature Rating:  
 Operating temperature: -10°C to +180°C  
 Environmental:  
 Lead free, RoHS compliant



UNLESS OTHERWISE SPECIFIED  
 ALL DIMENSIONS ARE INCHES [MM]  
 TOLERANCES: EXCEPT AS NOTED

INCHES	HOLES
.X ±.10	ØX ±.10
.XX ±.020	ØXX ±.015
.XXX ±.015	ØXXX ±.010

APPROVALS

DATE	DATE
SS	1/26/05

CHECKED

APPROVED

**ADAM TECH**  
 909 Rahway Avenue, Union, NJ 07083  
 Phone: 908-687-5000 Fax: 908-687-5710

TITLE: BATTERY SNAP, STANDARD LENGTH LEADS

SIZE	PART NO.	REV.
X	BS-4-1	-

REF: SCALE: NTS SHEET 1 OF 1

6 5 4 3 2 1