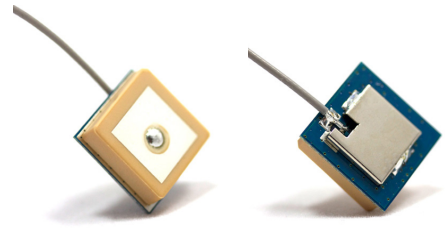




# MIA-GPS-15-HC

GPS ACTIVE ANTENNA - 15MM - HIGH CURRENT

Ordering Part #: 189-00040-01



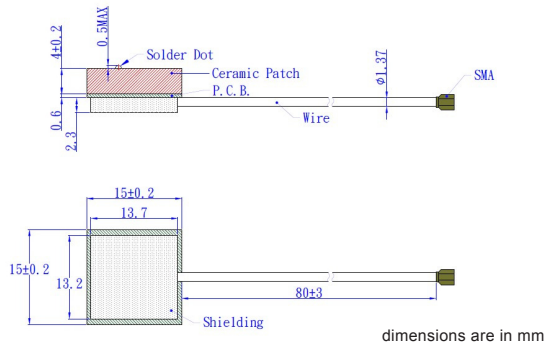
15 mm

## Description

Our patch antenna offerings are perfect for projects with a smaller scope and budget for which high-performance and lower weight is not a primary factor for consideration for the antenna. They are ideal for less demanding applications where extreme performance and battery life can be sacrificed at the expense of device cost. This antenna is designed for embedded applications such as GPS handheld units, mobile devices, and tracking devices. It features a low noise figure and high-linearity LNA. The interface connector is available in SMA or other. Cable length can also be customized.

## Mechanical Specifications

Parameter	Design Specifications
RF connector	SMA female straight connector or other
Cable	80 mm RF 1.37 or other



## Electrical Specifications

76x76 mm ground plane

Parameter	Design Specifications
Frequency	L1 1575.42 MHz ± 10 MHz
Polarization	RHCP
Noise figure	1.35 dB
DC voltage	5 V DC ± 0.25 V (max 20 mA)
DC current	17 mA ± 1 mA
Axial ratio	1.5 dB (typical) / 2.5 dB (max)
Gain (LNA)	26 dB
VSWR	< 2
Impedance	50 Ohm
Operating temp.	from -40°C to 85°C

## Features

- GPS L1 frequency
- Active LNA circuitry
- Compact size
- Custom tuning
- Custom connector/Cable size

## Applications

- Vehicle and fleet tracking
- Military & security
- Asset tracking
- Embedded applications
- Oil & gas industries
- Navigation devices
- Mining equipment
- LBS & M2M applications
- Handheld devices
- Law enforcement