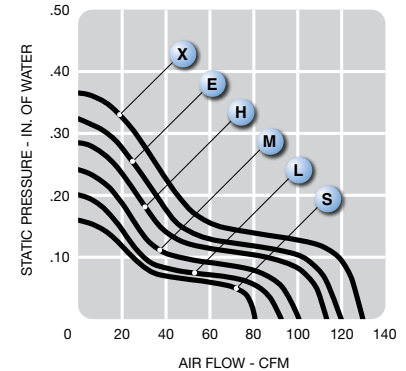
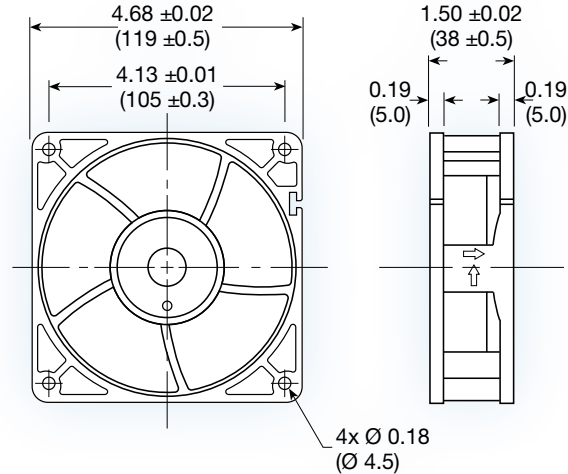


F1238-H series

HIGH PERFORMANCE



(119 x 119 x 38 mm)
4.69 x 4.69 x 1.5 inches

Features: high performance impeller for maximum air flow

Construction: brass bearing stand

Bearing option: ball bearings

Connection: lead wires or terminal

Frame: flanged

Protection: electronic locked rotor sensor, auto-restart, reverse polarity protection

Options: tachometer output or locked rotor alarm signal

Model No.	Rated Voltage V	Current mA				Speed RPM	Air Volume CFM	Max. Static Pressure (H ₂ O) INCH	Sound Noise dbA	Weight oz
		5	12	24	48					
F1238S-H	5/12/24/48	520	180	90	60	2,100	81	0.16	33	9.45
F1238L-H	12/24/48	-	290	145	80	2,400	93	0.20	35	9.45
F1238M-H	12/24/48	-	360	180	120	2,700	103	0.24	38	9.45
F1238H-H	12/24/48	-	440	220	140	3,000	112	0.28	41	9.45
F1238E-H	12/24/48	-	700	350	210	3,300	121	0.33	44	9.45
F1238X-H	12/24	-	950	500	-	3,600	130	0.37	47	9.45

