

PLEASE CHECK WWW.MOLEX.COM FOR LATEST PART INFORMATION

Part Number: [0424002001](#)
Status: **Active**
Overview: [flat blade](#)
Description: Flat Blade Appliance Defrost Timer Connector, 4 Circuit

Documents:

[3D Model](#) [RoHS Certificate of Compliance \(PDF\)](#)
[Drawing \(PDF\)](#)

Agency Certification

CSA LR19980
 UL E29179

General

Product Family Crimp Housings
 Series [42400](#)
 Comments Includes Round Polarizing Peg
 Overview [flat blade](#)
 Product Name Flat Blade

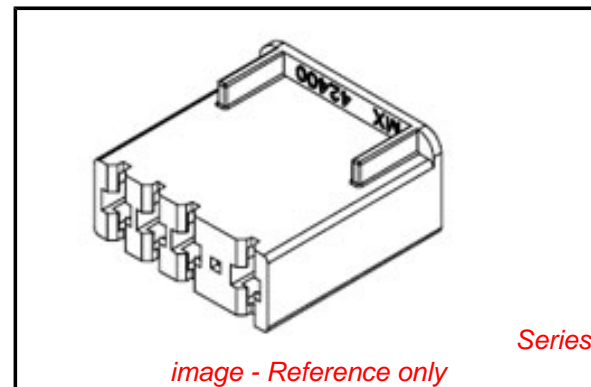
Physical

Circuits (maximum) 4
 Color - Resin Natural
 Flammability 94V-2
 Gender Female
 Glow-Wire Compliant No
 Keying to Mating Part Yes
 Lock to Mating Part None
 Material - Resin Nylon
 Number of Rows 1
 Packaging Type Bag
 Panel Mount No
 Pitch - Mating Interface (in) 0.219 In, 0.379 In
 Pitch - Mating Interface (mm) 5.56 mm, 9.63 mm
 Pitch - Term. Interface (in) 0.219 In, 0.379 In
 Pitch - Term. Interface (mm) 5.56 mm, 9.63 mm
 Stackable No
 Temperature Range - Operating -40°C to +75°C

Material Info

Reference - Drawing Numbers

Sales Drawing SD-42400-*00*



EU RoHS

**ELV and RoHS
 Compliant**
**REACH SVHC
 Contains SVHC: No**
**Halogen-Free
 Status
 Not Reviewed**

China RoHS



**Need more information on product
 environmental compliance?**

Email productcompliance@molex.com
 For a multiple part number RoHS Certificate of
 Compliance, [click here](#)

Please visit the [Contact Us](#) section for any
 non-product compliance questions.

Search Parts in this Series

[42400Series](#)

Mates With

Appliance Timer

Use With

[41422](#)

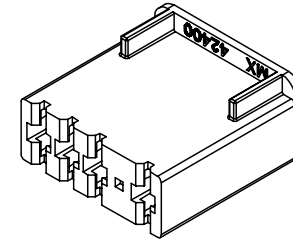
13 12 11 10 9 8 7 6 5 4 3 2 1

J
I
H
G
F
E
D
C
B
A

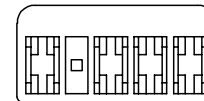
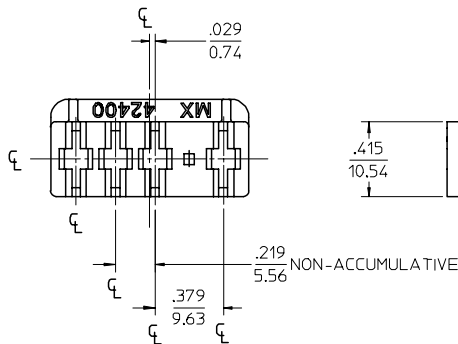
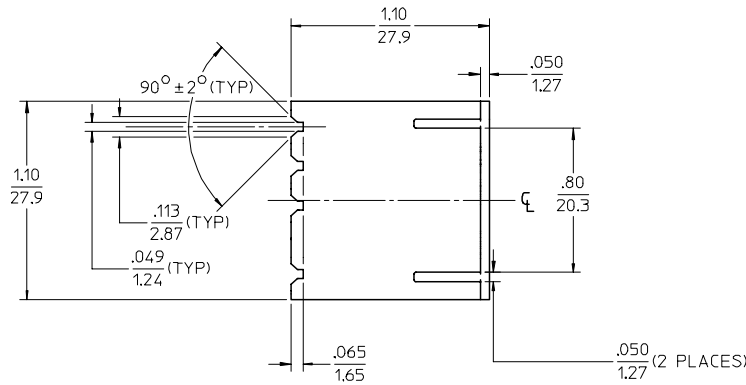
J
I
H
G
F
E
D
C
B
A

NOTES:

1. MATERIAL: SEE CHART ON SHEET 3
2. FINISH: NONE
3. PRODUCT SPECIFICATION: NONE
4. HOUSING MATES TO .032±.0005/0.81±0.013 THICK BY .250/6.35 WIDE BY .31/7.9 LONG SPADE TERMINALS. MAXIMUM LENGTH OF SPADE TERMINALS TO BE .450/11.43.
5. USE TERMINALS: ENG. NO. 41422-3* & -5*.
6. PARTS CONFORM TO CLASS 'B' REQUIREMENTS OF COSMETIC SPECIFICATION PS-45499-002.



42400-000*



ANGLE TOLERANCE FCC NO: UCP2008-1155 2007/11/20 DRWNL:LSCHM1DT 2007/11/20 CHKD:ADERR 2007/11/20 APPR:FSM TH 2007/11/20 REVISION DESCRIPTION	QUALITY SYMBOLS = 0 = 0	GENERAL TOLERANCES (UNLESS SPECIFIED)		DIMENSION STYLE IN/MM	SCALE 2:1	DESIGN UNITS INCH	THIRD ANGLE PROJECTION																												
			<table border="1"> <thead> <tr> <th></th> <th>mm</th> <th>INCH</th> </tr> </thead> <tbody> <tr> <td>4 PLACES</td> <td>± .010</td> <td>± .0004</td> </tr> <tr> <td>3 PLACES</td> <td>± .014</td> <td>± .0005</td> </tr> <tr> <td>2 PLACES</td> <td>± .025</td> <td>± .0010</td> </tr> <tr> <td>1 PLACE</td> <td>± .035</td> <td>± .0014</td> </tr> </tbody> </table>		mm	INCH	4 PLACES	± .010	± .0004	3 PLACES	± .014	± .0005	2 PLACES	± .025	± .0010	1 PLACE	± .035	± .0014	<table border="1"> <tr> <td>DRAWN BY</td> <td>DATE</td> </tr> <tr> <td>MAB</td> <td>1995/06/09</td> </tr> <tr> <td>CHECKED BY</td> <td>DATE</td> </tr> <tr> <td>KBP</td> <td>1995/06/09</td> </tr> <tr> <td>APPROVED BY</td> <td>DATE</td> </tr> <tr> <td>RAS</td> <td>1995/06/09</td> </tr> </table>	DRAWN BY	DATE	MAB	1995/06/09	CHECKED BY	DATE	KBP	1995/06/09	APPROVED BY	DATE	RAS	1995/06/09	TITLE 4 CIRCUIT CONNECTOR HOUSING			
		mm	INCH																																
	4 PLACES	± .010	± .0004																																
3 PLACES	± .014	± .0005																																	
2 PLACES	± .025	± .0010																																	
1 PLACE	± .035	± .0014																																	
DRAWN BY	DATE																																		
MAB	1995/06/09																																		
CHECKED BY	DATE																																		
KBP	1995/06/09																																		
APPROVED BY	DATE																																		
RAS	1995/06/09																																		
DRAFT WHERE APPLICABLE MUST REMAIN WITHIN DIMENSIONS		SEE CHART	MATERIAL NO. SD-42400-*00*		DOCUMENT NO. SD-42400-*00*	SHEET NO. 1 OF 3																													

12 11 10 9 8 7 6 5 4 3 2 1

13 12 11 10 9 8 7 6 5 4 3 2 1

J

I

H

G

F

E

D

C

B

A

J

I

H

G

F

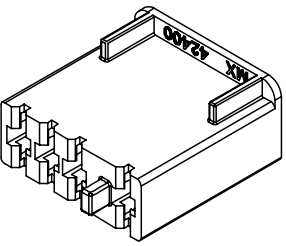
E

D

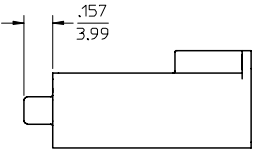
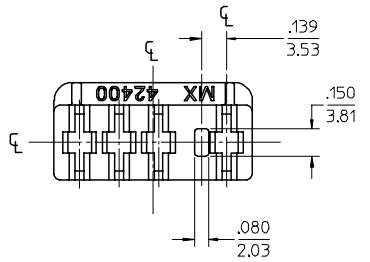
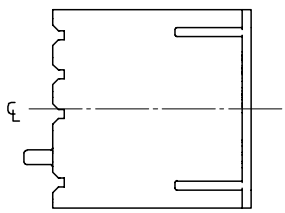
C

B

A



42400-100*

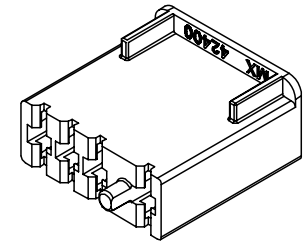
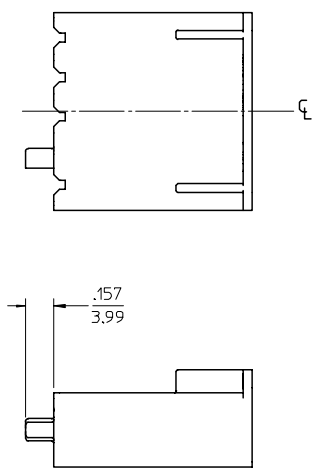
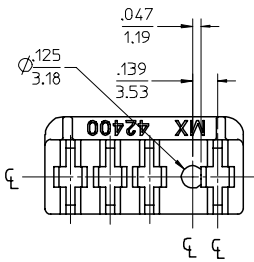


42400-100*
SEE SHEET 1 FOR DIMENSIONS NOT SHOWN

SEE SHEET 1 FC NO: UCP2008-1155 DRAWN: LSCHMIDT CHKD: ADERR APPR: FSM TH	DESCRIPTION 2007/11/20 2007/11/20 2007/11/20	QUALITY SYMBOLS	GENERAL TOLERANCES (UNLESS SPECIFIED)		DIMENSION STYLE		SCALE	DESIGN UNITS	THIRD ANGLE PROJECTION
		▽=0 ▽=0	mm INCH 4 PLACES ± --- ± --- 3 PLACES ± --- ± .010 2 PLACES ± 0.25 ± .014 1 PLACE ± 0.35 ± --- ANGULAR ± 1 °	IN/MM DRAWN BY DATE MAB 1995/06/09 CHECKED BY DATE KBP 1995/06/09 APPROVED BY DATE RAS 1995/06/09	TITLE	2:1	INCH	4 CIRCUIT CONNECTOR HOUSING	
		DRAFT WHERE APPLICABLE MUST REMAIN WITHIN DIMENSIONS		SEE CHART		MATERIAL NO. DOCUMENT NO. RAS SD-42400-*00*		MOLEX INCORPORATED SHEET NO. 2 OF 3	
		THIS DRAWING CONTAINS INFORMATION THAT IS PROPRIETARY TO MOLEX INCORPORATED AND SHOULD NOT BE USED WITHOUT WRITTEN PERMISSION							

12 11 10 9 8 7 6 5 4 3 2 1

ENG. NUMBER	E.D.P. NUMBER	NUMBER CIRCUITS	MATERIAL	COLOR	COMMENTS
42400-0001	06-02-3042	4	UL94 V-2 NYLON	NATURAL	NO PEG (SHT.1)
42400-0003	42400-0003	4	UL94 V-0 NYLON	WHITE	NO PEG (SHT.1)
42400-0004	42400-0004	4	UL94 V-0 NYLON	BLACK	NO PEG (SHT.1)
42400-1003	42400-1003	4	UL94 V-0 NYLON	WHITE	SQUARE PEG (SHT.2)
42400-1004	42400-1004	4	UL94 V-0 NYLON	BLACK	SQUARE PEG (SHT.2)
42400-2001	42400-2001	4	UL94 V-2 NYLON	NATURAL	ROUND PEG (SHT.3)
42400-2003	42400-2003	4	UL94 V-0 NYLON	WHITE	ROUND PEG (SHT.3)
42400-2004	42400-2004	4	UL94 V-0 NYLON	BLACK	ROUND PEG (SHT.3)



42400-200*

42400-200*

SEE SHEET 1 FOR DIMENSIONS NOT SHOWN

SEE SHEET 1 FCC NO: UCP2008-1155 DRW: NLSCHM1 DT CHKD: ADERR APPR: FSM TH REV:	QUALITY SYMBOLS ▽=0 ▽=0	GENERAL TOLERANCES (UNLESS SPECIFIED)		DIMENSION STYLE IN/MM		SCALE 2:1	DESIGN UNITS INCH	THIRD ANGLE PROJECTION	
		4 PLACES ± .010 ± .010	3 PLACES ± .010 ± .010	2 PLACES ± 0.25 ± .014	1 PLACE ± 0.35 ± .014	ANGULAR ± 1 °	DRAWN BY MAB	DATE 1995/06/09	TITLE 4 CIRCUIT CONNECTOR HOUSING
		DRAFT WHERE APPLICABLE MUST REMAIN WITHIN DIMENSIONS		SEE CHART		APPROVED BY RAS	DATE 1995/06/09	MOLEX INCORPORATED	
				MATERIAL NO.		DOCUMENT NO.		SHEET NO.	