

DASH NO.

M CODE

MADE FROM

GSD

KA-81-04

REVISIONS

ISSUE

CHANGES

4

CN 27186 E
CT 06/05/85

5

CN 38315 C
BDH 05/17/01

KAM6768

SCALE 4:1

APPROX SURFACE AREA

USED ON

REF:

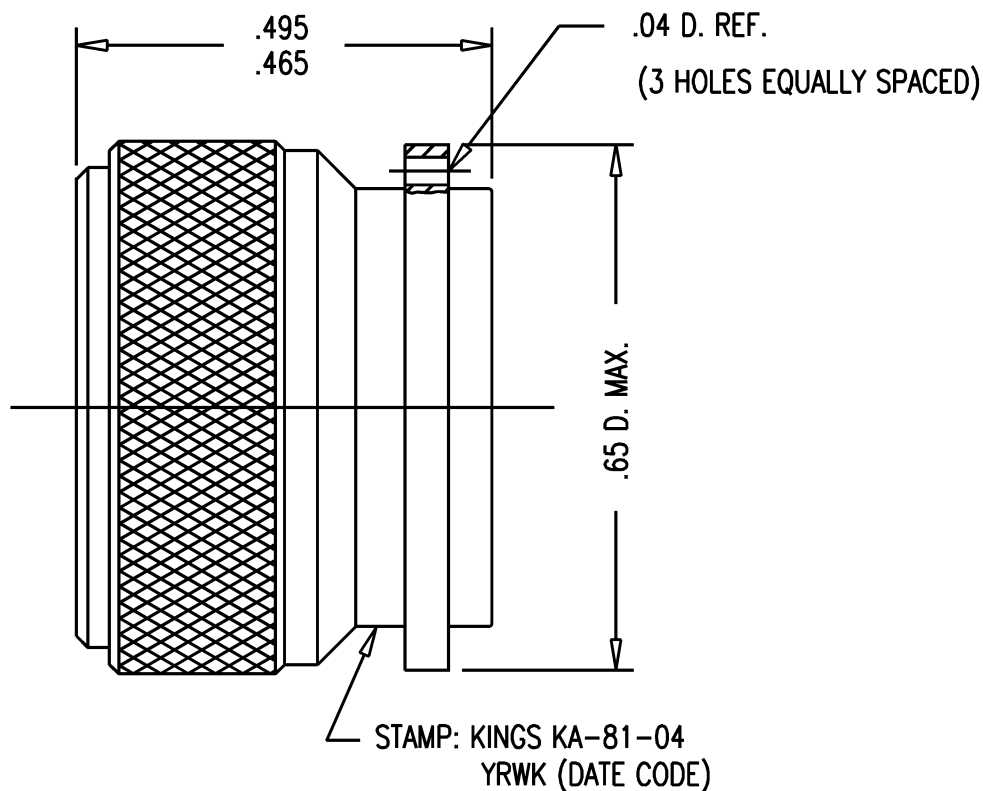
CAP, TNC

DRAWN	KH	09/09/96
DESIGN	MJB	09/10/96
APPR.		DATE

KINGS

ELECTRONICS CO., INC.
ROCK HILL, SOUTH CAROLINA 29730

KA-81-04



NOTES:

- MATERIAL:
GASKET-SILICONE RUBBER, ZZ-R-765
ALL OTHER METAL PARTS-BRASS, ASTM-B16
- FINISHES:
ALL METAL PARTS- SILVER PLATE PER QQ-S-365

GSD