

# SMDT-130

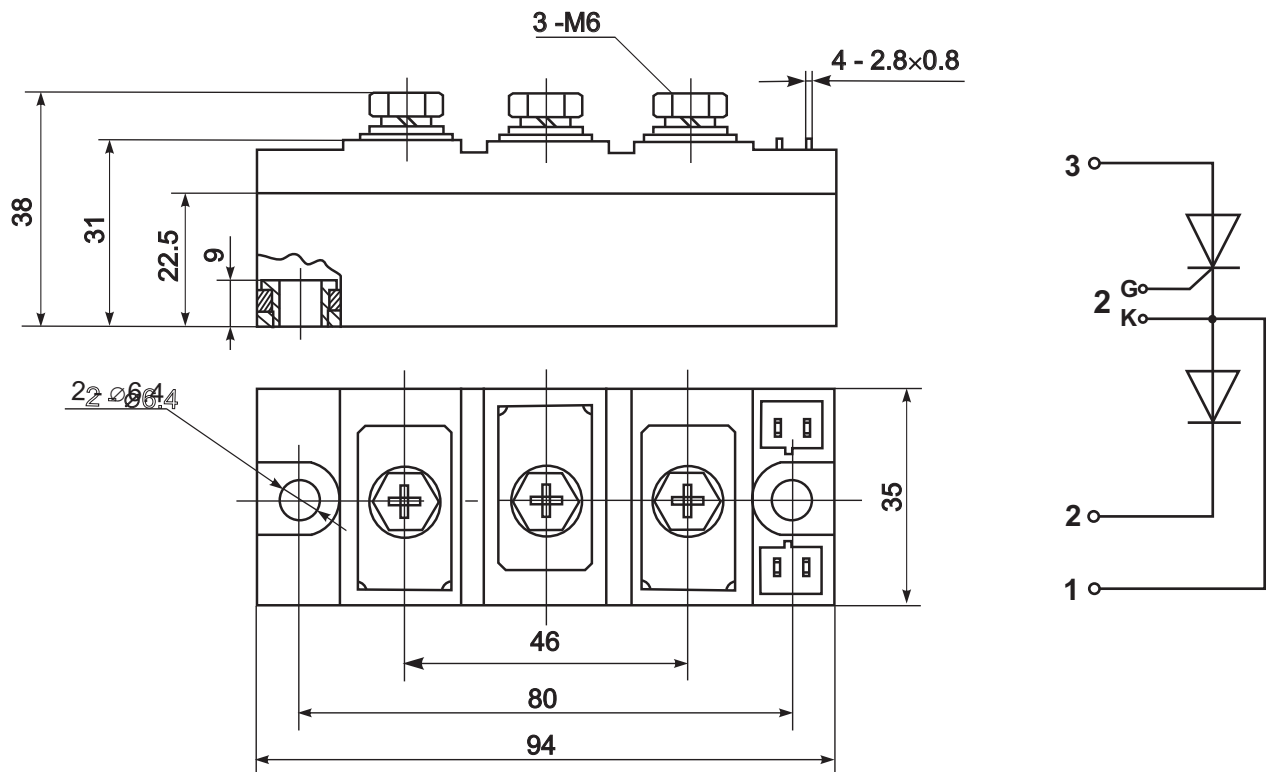


## Diode-Thyristor Module



Type	$V_{RSM}$	$V_{RRM}$ , $V_{DRM}$
SMDT-130-08	900	800
SMDT-130-12	1300	1200
SMDT-130-14	1500	1400
SMDT-130-16	1700	1600
SMDT-130-18	1900	1800

Type	$I_{TAVM}$ , $I_{FAVM}$	$I_{TRMS}$ , $I_{FRMS}$	$T_c$	$I_{TSM}$ , $I_{FSM}$	$(di/dt)_{cr}$	$(dv/dt)_{cr}$	$V_{TM}$	$I_{TM}$ , $I_{FM}$	$V_{TO}$	$r_T$	$t_q$	$V_{GT}$	$I_{GT}$	$T_{VJM}$	$V_{isol}$	$R_{thJC}$
	A	A	°C	kA	$\overline{A}$ s	$\overline{V}$ s	V	A	V	m $\Omega$	$\mu$ s	V	mA	°C	V	K/W
SMDT-130	130	290	85	3.2	150	500	1.60	400	0.8	1.5	150	2.5	150	125	2500	0.18



### Features:

- Industrial standard package
- Heat transfer through aluminium nitride ceramic isolated metal baseplate
- Precise internal pressure contacts for high reliability
- 2500V RMS isolation voltage

### Typical Applications:

- DC motor control
- AC motor soft starter
- Temperature control (e.g. for ovens, chemical processes)
- Lighting control