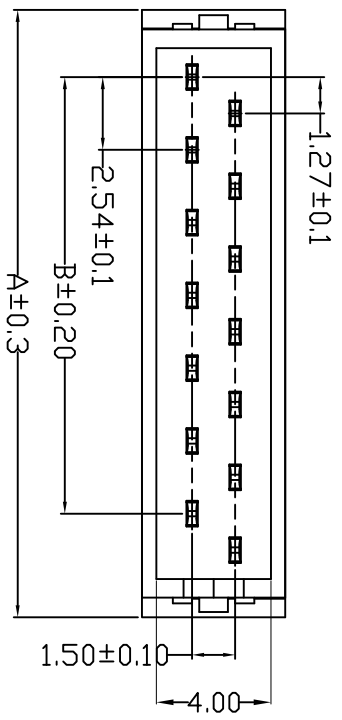
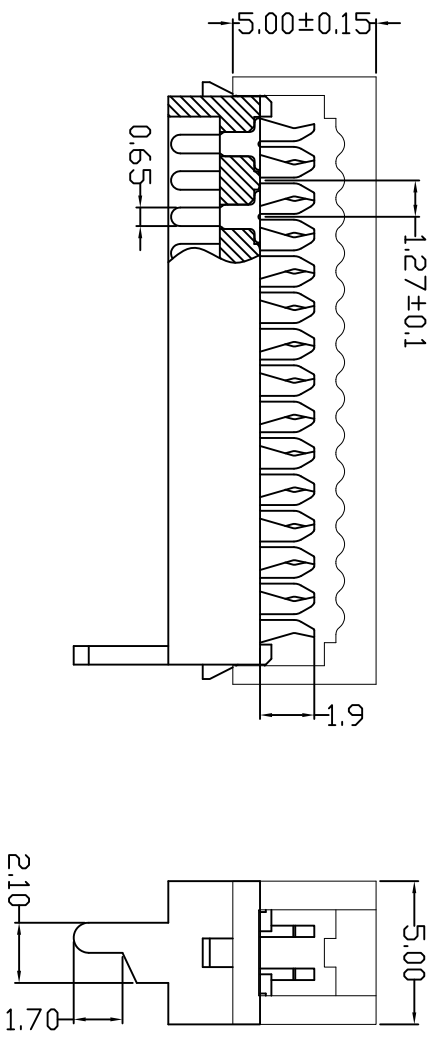


REV.	ECH. NO.	APPD.
A		



Material:
 Insulator: Glass filled NY46 UL94V-0
 Contactors: Brass / Phosphor Bronze T=0.25
 Plating: Tin plated

Electrical Characteristics:
 Contact Resistance: 20mΩmax. at DC 100mA
 Insulator Resistance: 1000MΩmin. at 500V DC
 Withstanding Voltage: 500V AC/rms 50Hz For 1 minute
 Current Rating: 1 AMP
 Operating Temperature: -40°C~+105°C

Ordering Information:

MTMR39-XX X X -12
 M:Male
 F:Female
 S: Straight
 R: Right
 M: SMT
 C: Cable

PINS	A	B
4	8.45	2.54
6	10.99	5.08
8	13.53	7.62
10	16.07	10.16
12	18.61	12.70
14	21.15	15.24
16	23.69	17.78
18	26.23	20.32
20	28.77	22.86
22	31.31	25.4
24	33.85	27.94
26	36.39	30.48

.X ±0.20	X° ±5°	UNITS mm	NAME (INTENDED USE)	TITLE: MICRO MALE CABLE 短脚 無缺
.XX ±0.10	X° ±2°	MATL	PART NO. (INTENDED USE)	
.XXX ±0.05	.XX° ±1°	FINISH	APPD: SUNNY	DWG NO.: MTMR39-XXMC-12
.XXX° ±0.5°	.XXX° ±0.5°		CHKD: USA	DR: ZOE 2006-11-28
MICRO SOCKET CONNECTOR		QTY	REV. A	

MINTRON CO., LTD.