

# PE3P4W Series

3 PHASE, 4 WIRE CHASSIS MOUNT EMI/RFI LINE FILTER.



CE

## FEATURES

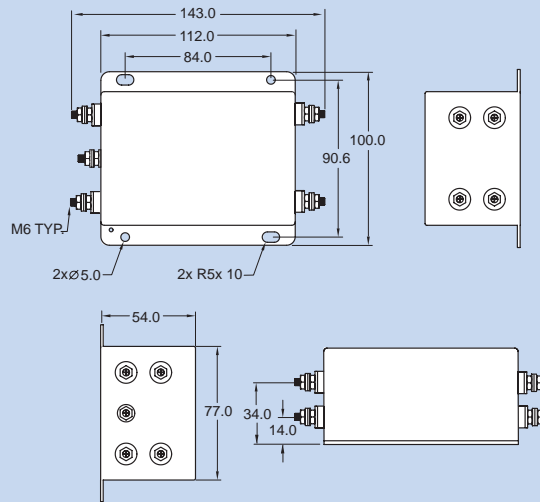
The PE3P4W series filters have been designed for heavy-duty machinery that requires noise control. The filters offer good noise attenuation in both forward and reverse directions for common mode and differential mode. These filters are designed with high reliability for industrial equipment. This series offers filters up to 250A at 250VAC/500VAC with suppression from 150KHz to 30MHz.

## APPLICATIONS

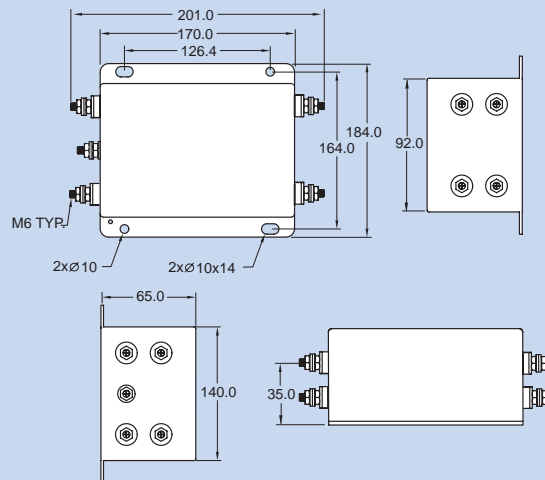
Heavy Industry equipment, Measuring & control equipment, Power supplies, other electronic/electrical equipment.

## MECHANICAL DIMENSIONS (Unit: mm)

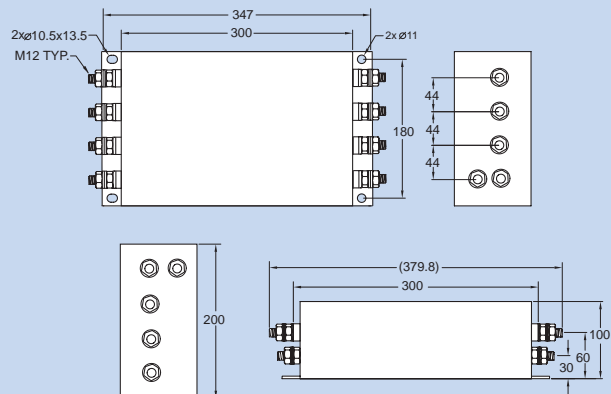
### G2A



### G3A



### C5



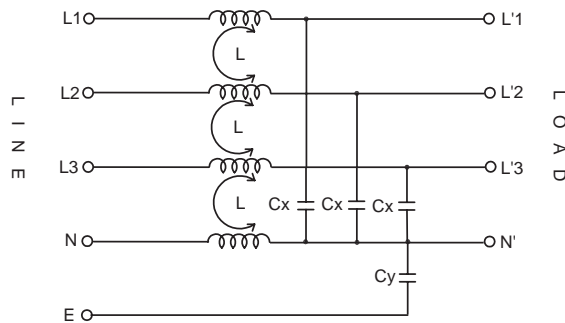
Specifications subject to change without notice. Dimensions (mm).

# PE3P4W Series

## SCHEMATIC 1; CASE G2A

### TECHNICAL DATA

- Rated Voltage: 500VAC
- Rated Current: 10A, 20A
- Power Line Frequency: 50/60Hz
- Max. Leakage Current each Line to Ground:
  - @ 500VAC, 60Hz: 1mA (10A)
  - @ 500VAC, 60Hz: 4mA (20A)
- Hipot Rating (one minute) Line to Ground: 2250VDC
- Temperature Range: -25C to +50C



### Non-Medical Applications

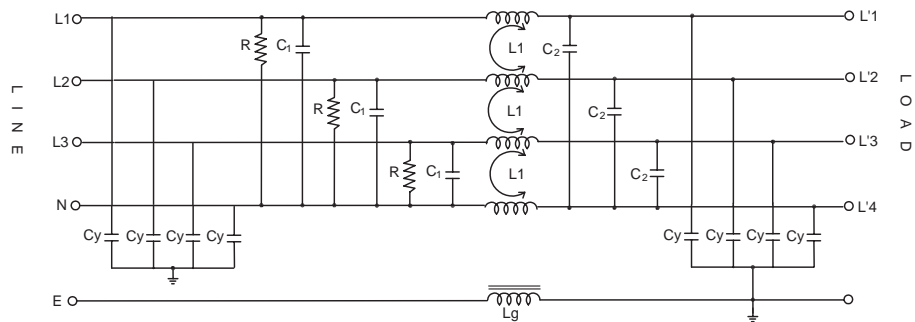
Insertion loss in dB (50 Ohm circuit)

PDI P/N	Current Rating (A)	Cx (uF)	Cy (pF)	L (mH x 2)	Comm. Mode (L-G) in MHz						Diff. Mode (L-L) in MHz					
					.15	.5	1	5	10	30	.15	.5	1	5	10	30
PE3P4W-10PS-1-G2A	10	0.1	4700	0.2	12	22	22	22	32	27	12	16	22	37	42	27
PE3P4W-20PS-1-G2A	20		22000	0.12	12	22	27	27	32	32	12	17	22	22	27	22

## SCHEMATIC 2; CASE G3A

### TECHNICAL DATA

- Rated Voltage: 500VAC
- Rated Current: 20A, 30A, 60A
- Power Line Frequency: 50/60Hz
- Max. Leakage Current each Line to Ground:
  - @ 500VAC, 60Hz: 7.5mA
- Hipot Rating (one minute) Line to Ground: 2250VDC
- Temperature Range: -25C to +50C



### Non-Medical Applications

Insertion loss in dB (50 Ohm circuit)

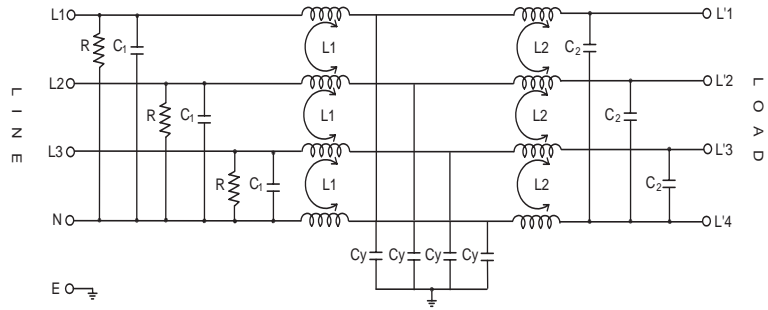
PDI P/N	Current Rating (A)	Cx1 (uF)	Cx2 (uF)	Cy (pF)	L (mH x 2)	R (Ohms)	Comm. Mode (L-G) in MHz						Diff. Mode (L-L) in MHz					
							.15	.5	1	5	10	30	.15	.5	1	5	10	30
PE3P4W-20PS-2-G3A	20	2	1	4700	3.2	110K	39	55	56	65	65	54	50	65	65	65	60	52
PE3P4W-30PS-2-G3A	30				1.6		30	55	55	61	63	60	43	65	66	65	58	49
PE3P4W-60PS-2-G3A	60				0.32		22	50	50	54	54	47	27	60	64	64	56	50

# PE3P4W Series

## SCHEMATIC 3; CASE C5

### TECHNICAL DATA

- Rated Voltage: 500VAC
- Rated Current: 60A, 80A, 100A, 150A, 200A, 250A
- Power Line Frequency: 50/60Hz
- Max. Leakage Current each  
Line to Ground:  
@ 500VAC, 60Hz: 2.6mA (60A, 80A)  
@ 500VAC, 60Hz: 7.5mA (100A)  
@ 500VAC, 60Hz: 8.0mA (150A, 200A, 250A)
- Hipot Rating (one minute)  
Line to Ground: 2250VDC
- Temperature Range: -25C to +50C



### Non-Medical Applications

Insertion loss in dB (50 Ohm circuit)

PDI P/N	Current Rating (A)	R (Ohms)	Cx1,2 (uF)	Cy (pF)	L (mH x 2)	Comm. Mode (L-G) in MHz						Diff. Mode (L-L) in MHz					
						.15	.5	1	5	10	30	.15	.5	1	5	10	30
PE3P4W-60PS-3-C5	60	430K	1.00	3300	0.8	38	42	54	56	47	32	78	73	63	48	51	31
PE3P4W-80PS-3-C5	80		2.20	3300	0.4	42	48	53	49	56	45	75	65	68	54	43	32
PE3P4W-100PS-3-C5	100		2.20	4700	0.1	37	53	59	53	52	43	81	75	63	52	39	27
PE3P4W-150PS-3-C5	150		3.30	10000	0.06	35	56	63	54	48	32	85	72	58	54	45	29
PE3P4W-200PS-3-C5	200		3.30	10000	0.02	32	53	61	58	51	28	82	78	65	53	41	25
PE3P4W-250PS-3-C5	250		3.30	10000	0.015	30	57	60	63	49	27	83	78	68	51	43	28