



**SERIES:** V78XX-1500

**DESCRIPTION:** DC SWITCHING REGULATOR,  
NON-ISOLATED

### DESCRIPTION

The V78XX switching regulator series is designed to be a high efficiency drop-in replacement for 78XX linear regulators. Unlike linear regulators, the V78XX series does not require a heatsink, creating a much more compact solution. Built-in short-circuit and over-temperature protections ensure very rugged operations. Additionally, low ripple and noise performance make the parts useful in a wide range of applications.

### FEATURES

- efficiency up to 95%
- 1.5A current output
- operating temp: -40 ~ +85°C
- short circuit protection
- thermal shutdown
- low ripple and noise
- miniature SIP package, meets UL94-V0 requirement
- ultra low power loss
- negative output capacity
- pin compatible to LM78XX series
- MTBF >2,000,000 hours



### MODEL

MODEL	input voltage		output voltage	output current	efficiency level	
	min (V dc)	max (V dc)	max (V dc)	max. (mA)	Vin (min)	Vin (max)
V7802-1500	4.75	18	2.5	1,500	88	85
	6.5	15	-2.5	-1,200	81	84
V7803-1500	4.75	18	3.3	1,500	91	88
	6.5	16	-3.3	-1,200	82	86
V7805-1500	6.5	18	5	1,500	93	91
	7	13	-5	-1,000	84	88
V7806-1500	8	18	6.5	1,500	95	93
	7	13	-6.5	-800	87	90

\*add suffix "R" for 90° pins, for example: V7802-1500R

### OUTPUT

parameter	conditions/description	min	nom	max	units
voltage accuracy	at 100% load		±2	±3	%
line regulation	Vin = min to max at full load		±0.5	±0.75	%
load regulation	10% to 100%		±0.5	±1.0	%
output ripple	20 MHz bandwidth, typical application circuit		20	45	mVp-p
short circuit protection	continuous, auto-restart				
short circuit input power			0.5	1.8	W
current limit			5,000		mA
switching frequency	full load, input voltage range	300	340	380	KHz
quiescent current	positive output		5	10	mA
	negative output		11	13	mA
thermal shutdown			150		°C
temperature coefficient	-40 ~ +85°C			±0.02	%/°C
load capacitance				1,000	µF



SERIES: V78XX-1500

DESCRIPTION: DC SWITCHING REGULATOR,  
NON-ISOLATED

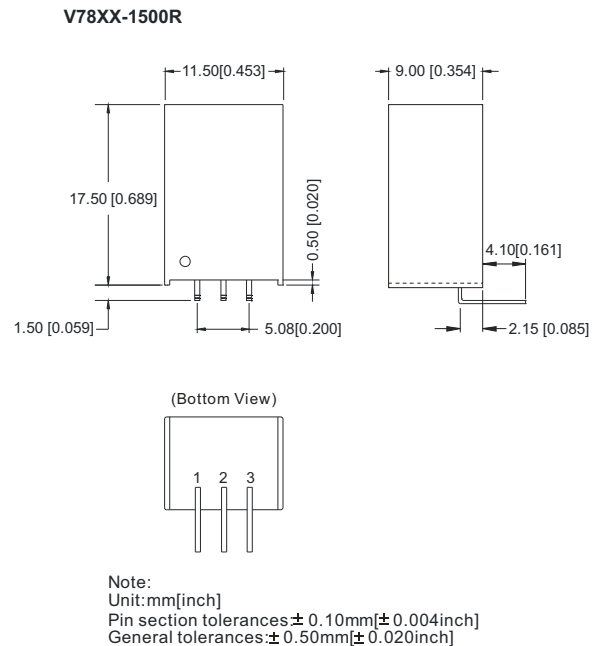
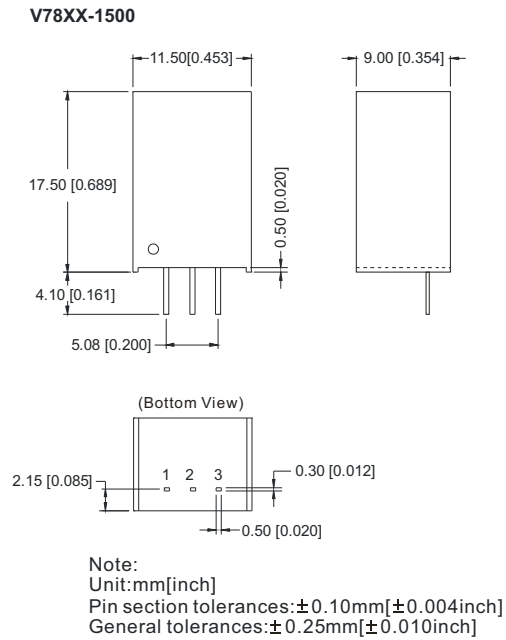
### COMMON SPECIFICATIONS

parameter	conditions/description	min	nom	max	units
operating temperature		-40		85	°C
operating case temperature				100	°C
storage temperature		-55		125	°C
storage humidity				95	%
cooling	free air convection				
lead temperature				300	°C
case material	plastic (UL94-V0)				
MTBF		2,000,000			hours
package weight			4.0		g

### SAFETY

parameter	conditions/description	min	nom	max	units
conducted/radiated emissions	EN55022 class B				
ESD	EN61000-4-2 class A				

### MECHANICAL DRAWING



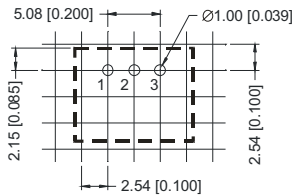


SERIES: V78XX-1500

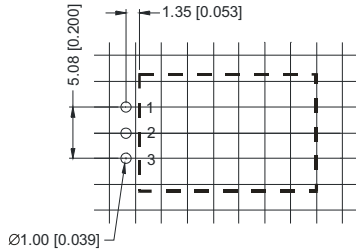
DESCRIPTION: DC SWITCHING REGULATOR,  
NON-ISOLATED

## RECOMMENDED FOOTPRINT

V78XX-1500

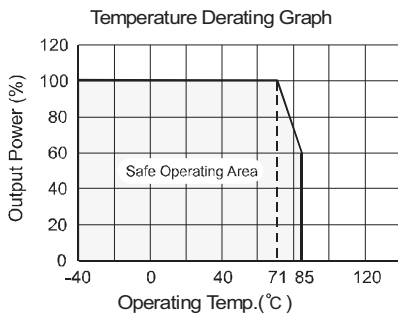


V78XX-1500R



FOOTPRINT DETAILS		
Pin	Positive	Negative
1	+Vin	+Vin
2	GND	-Vout
3	+Vout	GND

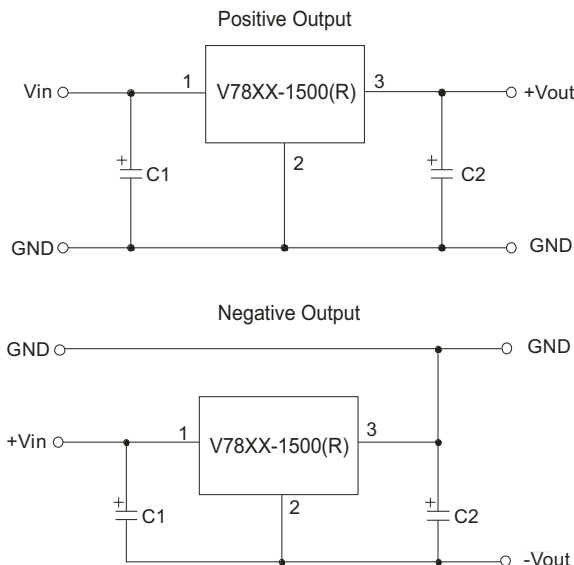
## DERATING CURVE



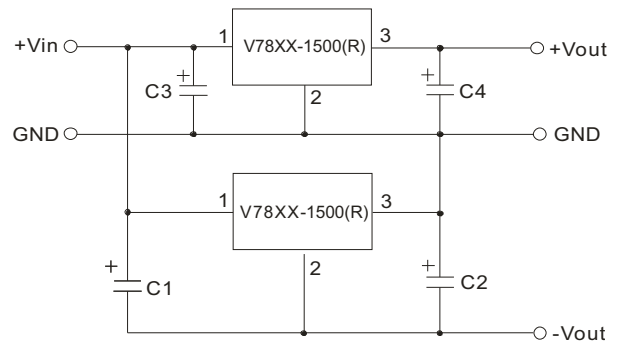
## EXTERNAL CAPACITOR TABLE

Part Number	C1 (Ceramic capacitor)	C2 (Ceramic capacitor)
V7802-1500	10µF/25V	22µF/6.3V
V7803-1500	10µF/25V	22µF/6.3V
V7805-1500	10µF/25V	22µF/16V
V7806-1500	10µF/25V	22µF/16V

## TYPICAL APPLICATION CIRCUIT



## APPLICATION EXAMPLE



Note:

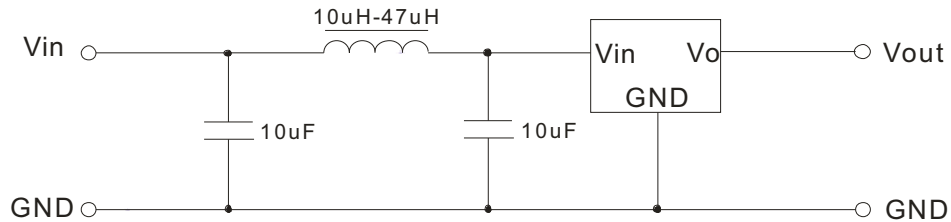
1. C1 and C2 are required and should be fitted close to the converter pins.
2. The capacitance of C1 and C2 sees external capacitor table, it can be increased properly if required, and tantalum or low ESR electrolytic capacitors may also suffice.
3. No parallel connection or plug and play.



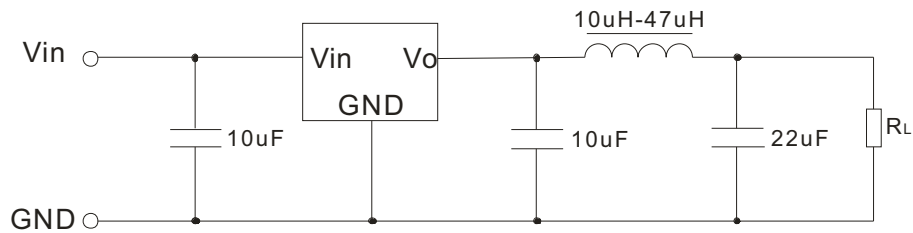
SERIES: V78XX-1500

DESCRIPTION: DC SWITCHING REGULATOR,  
NON-ISOLATED

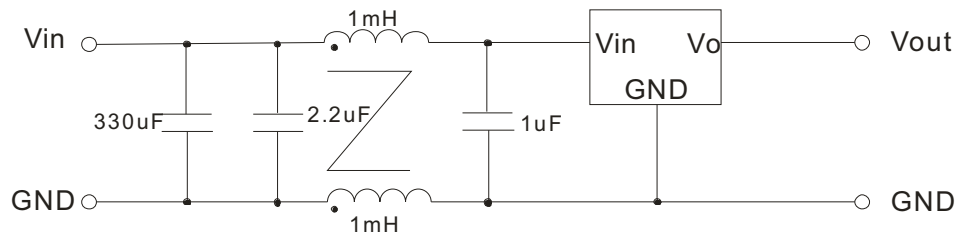
### INPUT FILTER CIRCUIT



### OUTPUT FILTER CIRCUIT



### EMC RECOMMENDED CIRCUIT



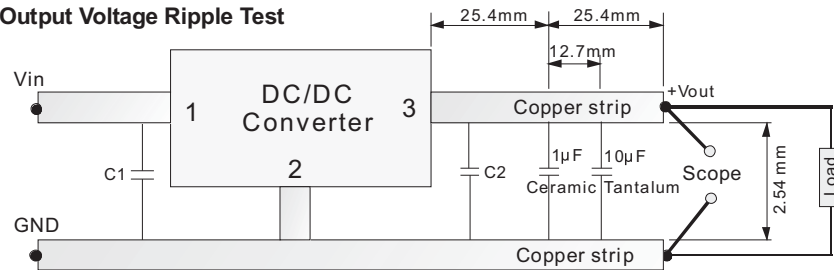


SERIES: V78XX-1500

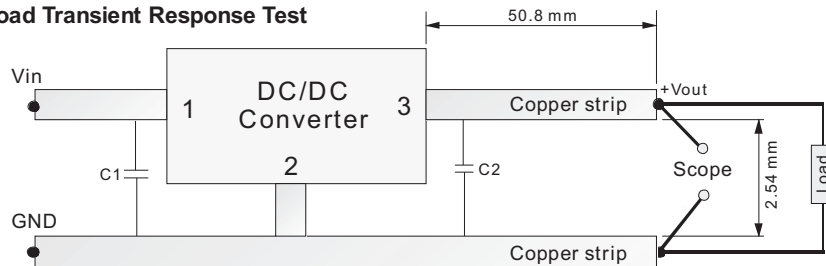
DESCRIPTION: DC SWITCHING REGULATOR,  
NON-ISOLATED

## TEST CONFIGURATION

Efficiency and Output Voltage Ripple Test

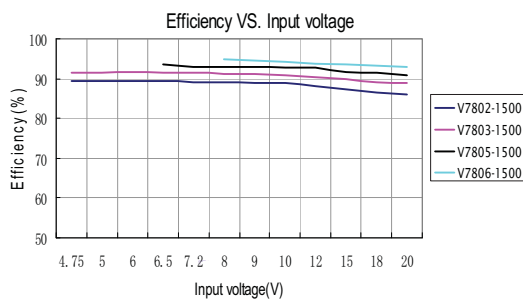


Start-up and Load Transient Response Test



## EFFICIENCY AND RIPPLE CURVES

Efficiency



Ripple

