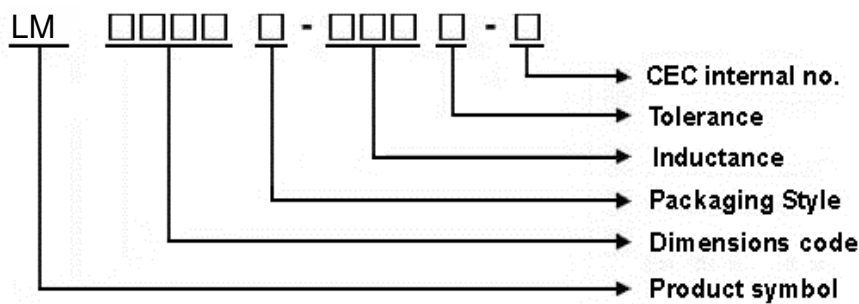


1 Scope: This specification applies to SMD Unshielded Power Inductors

2 Part Numbering:

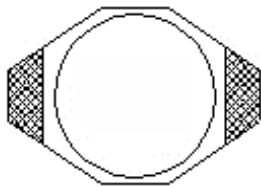


3 Rating:

Operating Temperature: $-40^{\circ}\text{C} \sim 125^{\circ}\text{C}$ (Including self - temperature rise)

Storage Temperature: $20^{\circ}\text{C} \sim 25^{\circ}\text{C}$ R.H. 65% (In Tape & Reel Condition)

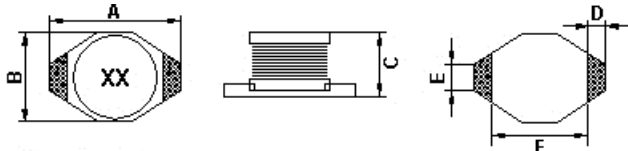
4 Marking:



5 Standard Testing Condition

	Unless otherwise specified	In case of doubt
Temperature	Ordinary Temperature(15 to 35°C)	20 to 30°C
Humidity	Ordinary Humidity(25 to 85% RH)	50 to 80 %RH

6 Configuration and Dimensions:



Dimensions in mm

TYPE	A	B	C	D	E	F
1608	6.6 Max.	4.45 Max.	2.92 Max.	1.02	1.27	4.32

7 Electrical Characteristics:

Part No.	Inductance (uH)	Test Freq.	RDC (Ω)Max.	Isat (A)	Irms (A)	SRF (MHz)Typ.	Marking
LM1608C-1R0M-N	1	100 kHz,0.1 V	0.05	2.9	2.9	130	BA
LM1608C-1R5M-N	1.5	100 kHz,0.1 V	0.05	2.6	2.8	115	BF
LM1608C-2R2M-N	2.2	100 kHz,0.1 V	0.07	2.3	2.4	90	CC
LM1608C-3R3M-N	3.3	100 kHz,0.1 V	0.08	2	2	70	DD
LM1608C-4R7M-N	4.7	100 kHz,0.1 V	0.09	1.5	1.5	50	EH
LM1608C-5R6M-N	5.6	100 kHz,0.1 V	0.11	1.3		47	FG
LM1608C-6R8M-N	6.8	100 kHz,0.1 V	0.13	1.2	1.4	45	GI
LM1608C-100M-N	10	100 kHz,0.1 V	0.16	1.1	1.1	35	KA
LM1608C-150M-N	15	100 kHz,0.1 V	0.23	0.9	1.2	30	MA
LM1608C-220M-N	22	100 kHz,0.1 V	0.37	0.7	0.8	20	LA
LM1608C-330M-N	33	100 kHz,0.1 V	0.51	0.58	0.6	15	NA
LM1608C-470M-N	47	100 kHz,0.1 V	0.64	0.5	0.5	14	OA
LM1608C-680M-N	68	100 kHz,0.1 V	0.86	0.4	0.4	11	VA
LM1608C-101M-N	100	100 kHz,0.1 V	1.27	0.31	0.3	9	KB
LM1608C-151M-N	150	100 kHz,0.1 V	2	0.27	0.25	6	MB
LM1608C-221M-N	220	100 kHz,0.1 V	3.11	0.22	0.2	5.5	LB
LM1608C-331M-N	330	100 kHz,0.1 V	3.8	0.18	0.16	5	NB
LM1608C-471M-N	470	100 kHz,0.1 V	5.66	0.16	0.15	4	OB
LM1608C-681M-N	680	100 kHz,0.1 V	9.2	0.14	0.12	3	VB
LM1608C-102M-N	1000	100 kHz,0.1 V	13.8	0.1	0.07	2	KC

NOTE: □-tolerance M=±20%

1. Operating temperature range – 4 0 °C ~ 1 2 5 °C (Including self - temperature rise)

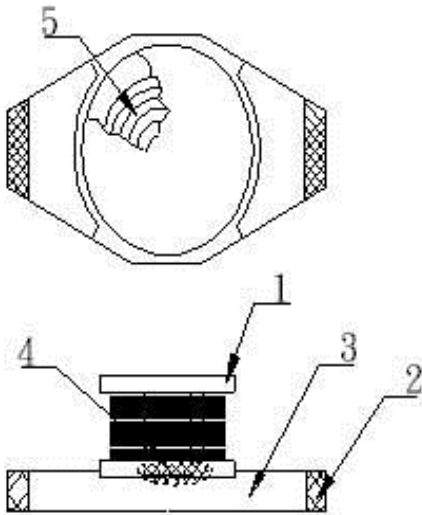
2. Isat for Inductance drop 20% from its value without current.

3. I rms for a 30 °C temperature rise from 25 °C ambient.

"-N" FOR COMPLETELY LEAD FREE TYPE(INCLUDING FERRITE BODY & SOLDER)

8 LM1608C Series

8.1 Construction:



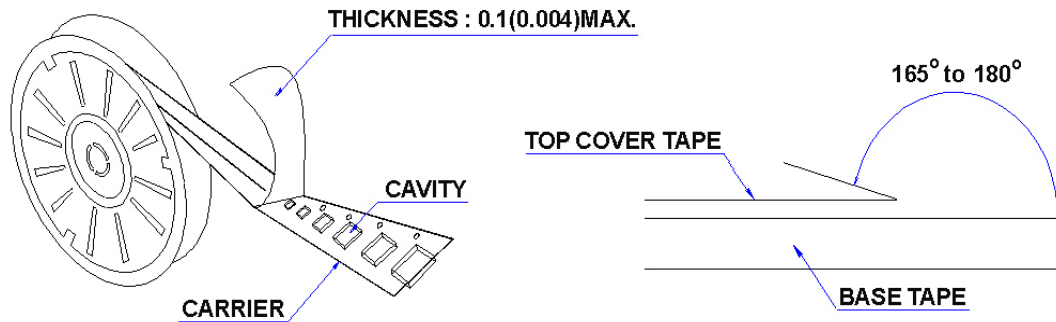
8.2 Material List:

No	Part	Material
1	CORE	FERRITE
2	TERMINAL	W,NI,AU
3	BASE	AL2O3
4	EPOXY	AD3
5	WIRE	COPPER WIRE

9 Packaging:

9.1 Packaging -Cover Tape

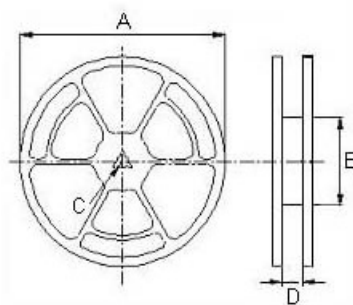
The force for tearing off cover tape is 10 to 130 grams in the arrow direction.



9.2 Packaging Quantity

TYPE	PCS/REEL
1608	2500

9.3 Reel Dimensions

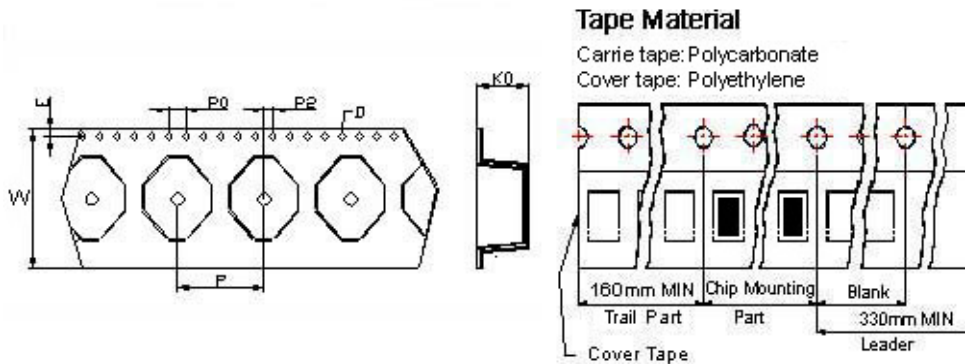


Dimensions in mm

TYPE	A	B	C	D
1608	330	100	13	13.4

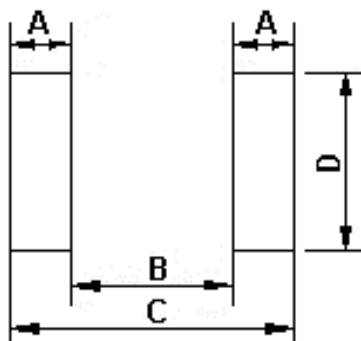
9 Packaging:

9.4 Tape Dimensions in mm



TYPE	K0	D	E	W	P	P0	P2
1608	3.2	1.55	1.75	12	8	4	2

10 Recommended Land Pattern:



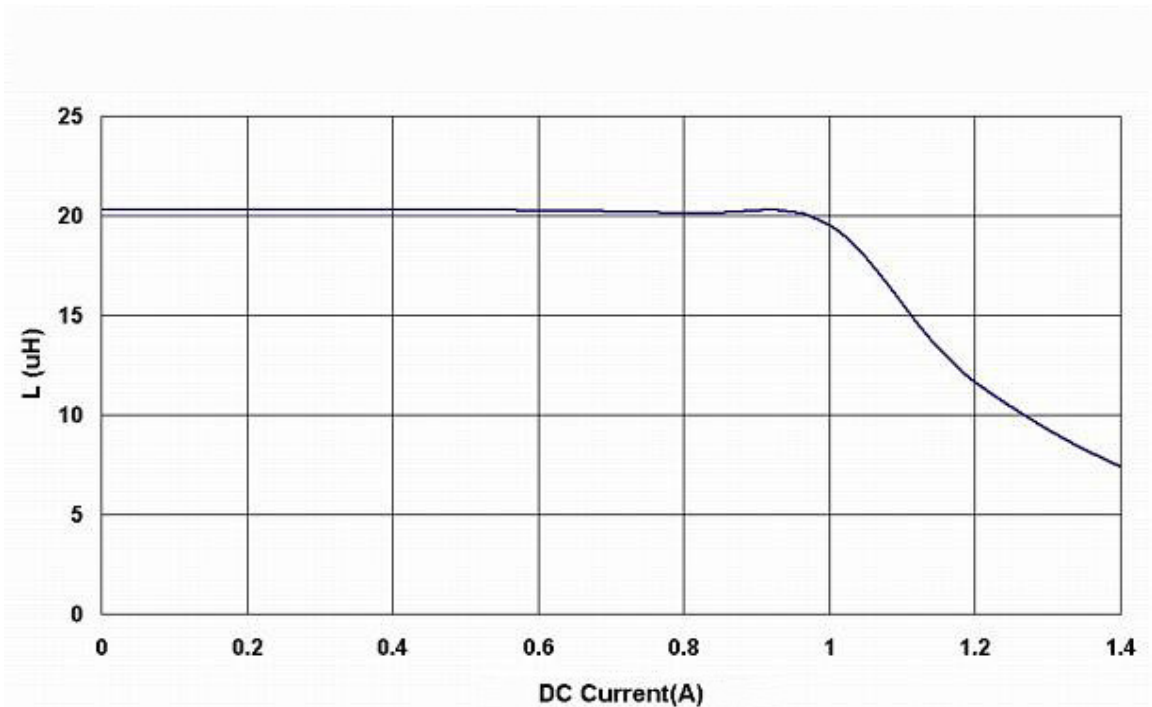
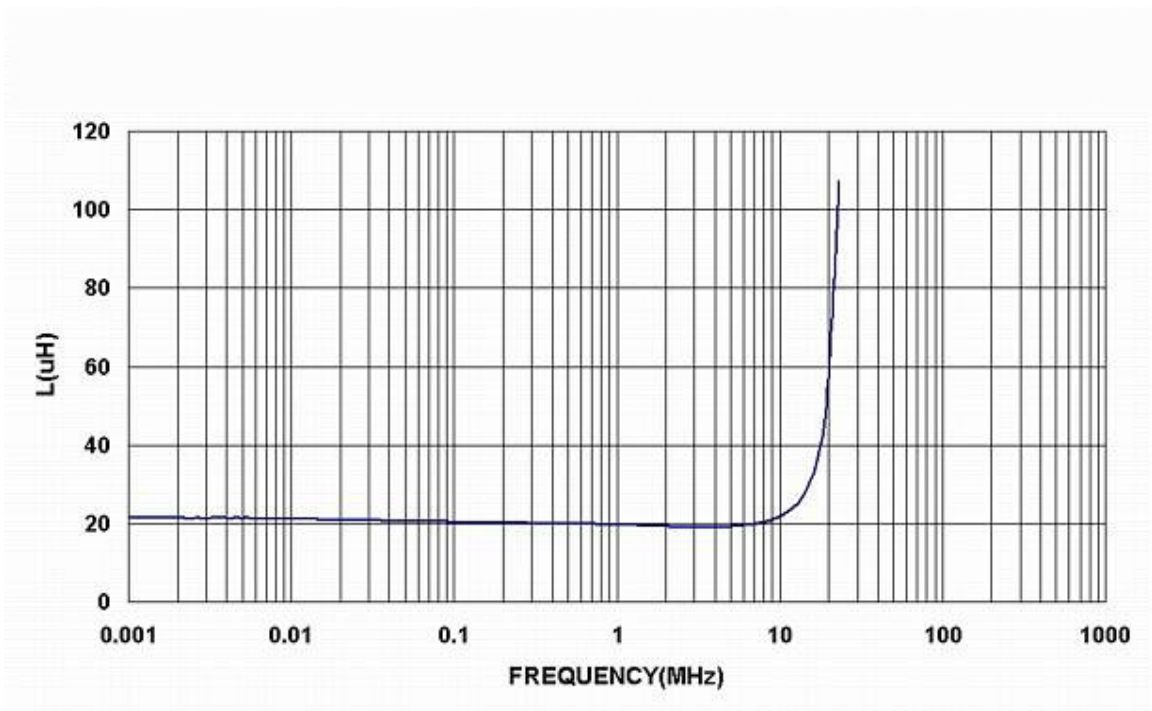
Dimension in mm

TYPE	A(in/mm)	B(in/mm)	C(in/mm)	D(in/mm)
1608	0.055/1.40	0.16/4.06	0.27/6.86	0.14/3.56

11 Note:

1. Please make sure that your product has been evaluated and confirmed against your specifications when our product is mounted to your product.
2. Do not knock nor drop.
3. All the items and parameters in this product specification have been prescribed on the premise that our product is used for the purpose, under the condition and in the environment agreed upon between you and us. You are requested not to use our product deviating from such agreement.
4. Please keep the distance between transformer/coil and other components (refer to the standard IEC 950)
5. The moisture sensitivity level (MSL) of products is classified as level 1.

12 Graph



Shanghai Leiditech Electronic Co.,Ltd
 Email: sale1@leiditech.com
 Tel : +86- 021 50828806
 Fax : +86- 021 50477059