

## 42 V Input Power Management IC with Battery Voltage Detector

No.EA-501-201201

### OVERVIEW

The R5117x is a Power Management IC featuring input voltage range from 3.5V to 42V. This IC includes Battery Voltage Detector, SENSE Voltage Detector and 500 mA Voltage Regulator in a single chip.

### KEY BENEFITS

- Reducing components and improving functional safety
- The Battery Voltage Detector suitable for Early Warning System against battery voltage reduction
- Preventing the false detection of transient characteristic fluctuations by high-speed response Voltage Regulator

### KEY SPECIFICATIONS

- Input Voltage Range (Max. rating):  
3.5 V to 42.0 V (50.0 V)
- Supply Current: Typ. 35  $\mu$ A

#### Voltage Regulator (VR)

- Output Voltage Range: 3.3 V to 5.0 V
- Output Voltage Accuracy:  
-1.25% to 0.75% ( $-40^{\circ}\text{C} \leq T_a \leq 105^{\circ}\text{C}$ )
- Output Current: 500 mA
- Protection:  
Thermal shutdown (Detection Temp. Typ. 175  $^{\circ}\text{C}$ )  
Output current (Typ. 750 mA)  
Output short-circuit (Typ. 105 mA)

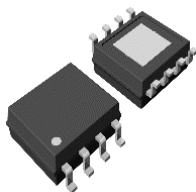
#### SENSE Voltage Detector (SVD)

- Detector Threshold: 2.5 V to 5.0 V (in 0.01V step)
- Detector Threshold Accuracy:  
-1.25% to 0.75% ( $-40^{\circ}\text{C} \leq T_a \leq 105^{\circ}\text{C}$ )
- Release hysteresis: max 0.7%

#### Battery Voltage Detector (BVD)

- Detector Threshold: 3.5 V to 12.0 V (in 0.1V step)
- Detector Threshold Accuracy:  
-2.0% to 1.0% ( $-40^{\circ}\text{C} \leq T_a \leq 105^{\circ}\text{C}$ )
- Release hysteresis: max 5.0%

### PACKAGES



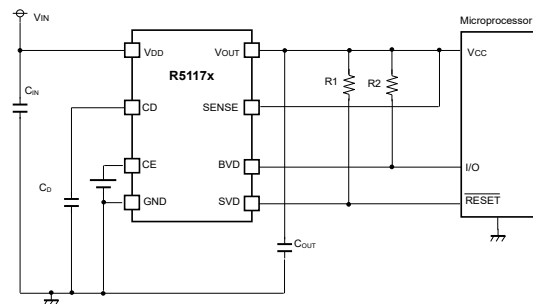
HSOP-8E

5.2 x 6.2 x 1.45 (mm)

### APPLICATIONS

- Household electric appliances such as Refrigerators, Rice Cookers and Electric Kettles
- Laptop PCs, Digital Cameras, Digital TVs, Phones and LAN Systems

### TYPICAL APPLICATIONS



- $C_{IN}$ : 1.0 $\mu$ F,  $C_{OUT}$ : 10 $\mu$ F, Ceramic capacitors
- $C_D$ : Ceramic capacitors for setting detection delay time

### SELECTION GUIDE

Product Name	Package	Quantity per Reel
R5117SxxxA-E2-FE	HSOP-8E	1,000 pcs

xxx: Specify the set output voltage for VR ( $V_{VRSET}$ ), the set Battery voltage detector threshold ( $V_{BVSET}$ ) and the set SENSE voltage detector threshold ( $V_{SVSET}$ ) by using serial numbers starting from 001

Refer to ELECTRICAL CHARACTERISTICS for detail information.

---

**R5117x**

---

No.EA-501-201201

**SELECTION GUIDE**

The set output voltages are user-selectable options.

Product Name	Package	Quantity per Reel	Pb Free	Halogen Free
R5117SxxxA-E2-FE	HSOP-8E	1,000 pcs	Yes	Yes

xxx: Specify the set output voltage for Voltage Regulator ( $V_{VRSET}$ ), the set Battery voltage detector threshold ( $V_{BVSET}$ ) and the set SENSE voltage detector threshold ( $V_{SVSET}$ ) by using serial numbers starting from 001<sup>(1)</sup>  
Refer to ELECTRICAL CHARACTERISTICS for detail information

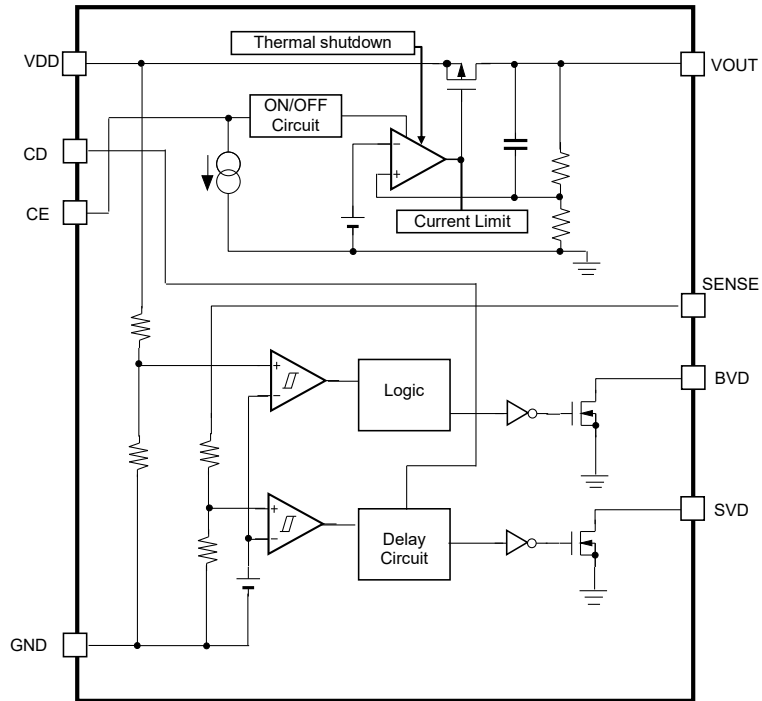
---

---

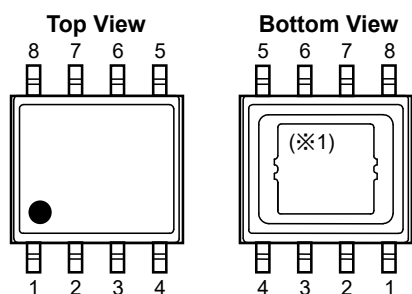
<sup>(1)</sup> The combinations of  $V_{VRSET}$ ,  $V_{BVSET}$ ,  $V_{SVSET}$  are following conditions;

- $V_{VRSET}$  = 3.3 V to 5.0 V
- $V_{BVSET}$  = 3.5 V to 12.0 V
- $V_{SVSET}$  = 2.5 V to 5.0 V

### BLOCK DIAGRAM



R5117xxx Block Diagram

**PIN DESCRIPTIONS****R5117S (HSOP-8E) Pin Configuration****R5117S (HSOP-8E)**

Pin No.	Symbol	Description
1	VDD	Supply Voltage Pin
2	CD	Pin for setting VD Release Output Delay Time (power-on reset time)
3	CE	Chip Enable Pin (Active-high)
4	GND	Ground Pin
5	SVD	SENSE Voltage Reduction Detection Output Pin ("Low" at detection)
6	BVD	Battery Voltage Reduction Detection Output Pin ("Low" at detection)
7	SENSE	SENSE Input Voltage Pin
8	VOUT	Regulator Output Pin

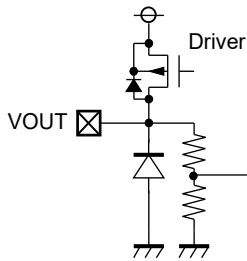
---

<sup>(1)</sup> The tab on the bottom of the package is substrate level (GND). It is recommended that the tab be connected to the ground plane on the board.

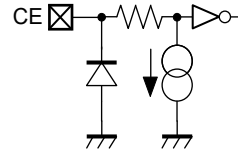
---

PIN EQUIVALENT CIRCUIT DIAGRAMS

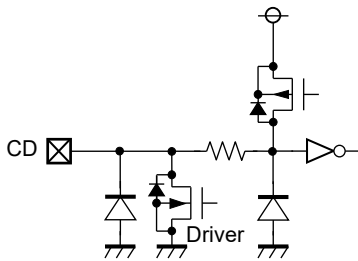
< VOUT Pin >



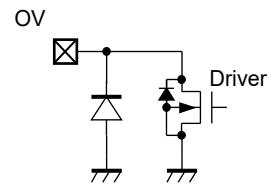
< CE Pin >



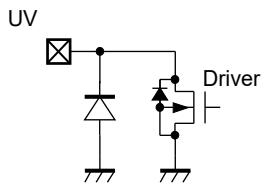
< CD Pin >



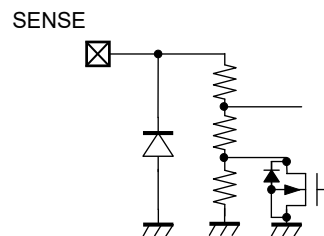
< BVD Pin >



< SVD Pin >



< SENSE Pin >



**ABSOLUTE MAXIMUM RATINGS**

Symbol	Parameter	Rating	Unit
V <sub>IN</sub>	Input Voltage	-0.3 to 50	V
	Peak Input Voltage <sup>(2)</sup>	60	V
V <sub>CE</sub>	CE Pin Input Voltage	-0.3 to 50	V
V <sub>OUT</sub>	Output Voltage	-0.3 to V <sub>IN</sub> + 0.3 ≤ 50	V
V <sub>SENSE</sub>	SENSE Pin Voltage	-0.3 to 50	V
V <sub>CD</sub>	CD Pin Output Voltage	-0.3 to 50	V
V <sub>BVD</sub>	BVD Pin Output Voltage	-0.3 to 7.0	V
V <sub>SVD</sub>	SVD Pin Output Voltage	-0.3 to 7.0	V
P <sub>D</sub>	Power Dissipation <sup>(3)</sup> (HSOP-8E, JEDEC STD. 51)	2900	mW
T <sub>j</sub>	Junction Temperature	-40 to 125	°C
T <sub>stg</sub>	Storage Temperature	-55 to 125	°C

**ABSOLUTE MAXIMUM RATINGS**

Electronic and mechanical stress momentarily exceeded absolute maximum ratings may cause permanent damage and may degrade the lifetime and safety for both device and system using the device in the field. The functional operation at or over these absolute maximum ratings are not assured.

**RECOMMENDED OPERATING CONDITIONS**

Symbol	Parameter	Rating	Unit
V <sub>IN</sub>	Input Voltage	3.5 to 42	V
V <sub>CE</sub>	CE Pin Input Voltage	0 to 42	V
V <sub>SENSE</sub>	SENSE Pin Input Voltage	0 to 6.0	V
V <sub>BVD</sub>	BVD Pin Output Voltage	0 to 6.0	V
V <sub>SVD</sub>	SVD Pin Output Voltage	0 to 6.0	V
T <sub>a</sub>	Operating Temperature	-40 to 105	°C

**RECOMMENDED OPERATING CONDITIONS**

All of electronic equipment should be designed that the mounted semiconductor devices operate within the recommended operating conditions. The semiconductor devices cannot operate normally over the recommended operating conditions, even if they are used over such conditions by momentary electronic noise or surge. And the semiconductor devices may receive serious damage when they continue to operate over the recommended operating conditions.

<sup>(2)</sup> Duration time: 200 ms

<sup>(3)</sup> Refer to POWER DISSIPATION for detail information

## ELECTRICAL CHARACTERISTICS

$C_{IN} = 1.0 \mu\text{F}$ ,  $C_{OUT} = 10 \mu\text{F}$ ,  $V_{IN} = 14 \text{ V}$ , unless otherwise noted.

The specifications surrounded by   are guaranteed by design engineering at  $-40^\circ\text{C} \leq T_a \leq 105^\circ\text{C}$ .

### R5117xxxx

#### For All

( $T_a = 25^\circ\text{C}$ )

Symbol	Parameter	Condition	Min.	Typ.	Max.	Unit
I <sub>SS</sub>	Supply Current	I <sub>OUT</sub> = 0 mA <sup>(4)</sup>	3.5V ≤ V <sub>BVSET</sub> < 8.0V		<span style="border: 1px solid black; padding: 0 2px;">65</span>	μA
			8.0V ≤ V <sub>BVSET</sub> ≤ 12.0V		<span style="border: 1px solid black; padding: 0 2px;">60</span>	
I <sub>standby</sub>	Standby Current	V <sub>IN</sub> = 14 V, V <sub>CE</sub> = 0 V <sup>(1)</sup>		10	<span style="border: 1px solid black; padding: 0 2px;">25</span>	μA
I <sub>PD</sub>	CE Pull-down Current			0.2	<span style="border: 1px solid black; padding: 0 2px;">0.6</span>	μA
V <sub>CEH</sub>	CE Input Voltage, high		<span style="border: 1px solid black; padding: 0 2px;">2.0</span>		<span style="border: 1px solid black; padding: 0 2px;">42</span>	V
V <sub>CEL</sub>	CE Input Voltage, low		0		<span style="border: 1px solid black; padding: 0 2px;">1.0</span>	V

#### VR Section

( $T_a = 25^\circ\text{C}$ )

Symbol	Parameter	Condition	Min.	Typ.	Max.	Unit	
V <sub>OUT</sub>	Output Voltage	V <sub>IN</sub> = 14 V, I <sub>OUT</sub> = 1 mA	T <sub>a</sub> = 25°C	×0.995		×1.005	V
			-40°C ≤ T <sub>a</sub> ≤ 105°C	<span style="border: 1px solid black; padding: 0 2px;">×0.9875</span>		<span style="border: 1px solid black; padding: 0 2px;">×1.0075</span>	
ΔV <sub>OUT</sub> / ΔI <sub>OUT</sub>	Load Regulation	V <sub>IN</sub> = V <sub>SET</sub> + 3.0 V	1 mA ≤ I <sub>OUT</sub> ≤ 300 mA	<span style="border: 1px solid black; padding: 0 2px;">-10</span>	0	<span style="border: 1px solid black; padding: 0 2px;">10</span>	mV
			1 mA ≤ I <sub>OUT</sub> ≤ 500 mA	<span style="border: 1px solid black; padding: 0 2px;">-15</span>		<span style="border: 1px solid black; padding: 0 2px;">15</span>	
V <sub>DIF</sub>	Dropout Voltage	I <sub>OUT</sub> = 500 mA	V <sub>SET</sub> = 3.3 V		1.1	<span style="border: 1px solid black; padding: 0 2px;">1.7</span>	V
			V <sub>SET</sub> = 5.0 V		0.9	<span style="border: 1px solid black; padding: 0 2px;">1.5</span>	
ΔV <sub>OUT</sub> / ΔV <sub>IN</sub>	Line Regulation	I <sub>OUT</sub> = 1 mA	8.0 V ≤ V <sub>IN</sub> ≤ 16 V	<span style="border: 1px solid black; padding: 0 2px;">-10</span>	0	<span style="border: 1px solid black; padding: 0 2px;">10</span>	mV
			6.0 V ≤ V <sub>IN</sub> ≤ 32 V	<span style="border: 1px solid black; padding: 0 2px;">-25</span>		<span style="border: 1px solid black; padding: 0 2px;">25</span>	
I <sub>LIM</sub>	Output Current Limit	V <sub>IN</sub> = 8.0 V	<span style="border: 1px solid black; padding: 0 2px;">500</span>	750		mA	
I <sub>SC</sub>	Short Current Limit	V <sub>OUT</sub> = 0 V	<span style="border: 1px solid black; padding: 0 2px;">70</span>	105	<span style="border: 1px solid black; padding: 0 2px;">150</span>	mA	
T <sub>TSD</sub>	Thermal Shutdown Temperature	Junction Temperature	<span style="border: 1px solid black; padding: 0 2px;">165</span>	175		°C	
T <sub>TSR</sub>	Thermal Shutdown Release Temperature	Junction Temperature	<span style="border: 1px solid black; padding: 0 2px;">125</span>	145		°C	

All test items listed under Electrical Characteristics are done under the pulse load condition (T<sub>j</sub> ≈ T<sub>a</sub> = 25°C).

<sup>(4)</sup> Supply current, Standby current are depending on VDD Voltage and battery voltage detector setting when the detector power is turned on all the time. Refer to the Supply Current data in TYPICAL CHARACTERISTICS for detail information.

**R5117x**

No.EA-501-201201

**ELECTRICAL CHARACTERISTICS (Continued)** $C_{IN} = 1.0 \mu\text{F}$ ,  $C_{OUT} = 10 \mu\text{F}$ ,  $V_{IN} = 14 \text{ V}$ , unless otherwise noted.The specifications surrounded by   are guaranteed by design engineering at  $-40^\circ\text{C} \leq T_a \leq 105^\circ\text{C}$ .**SVD / BVD Sections**

(Ta = 25°C)

Symbol	Parameter	Condition	Min.	Typ.	Max.	Unit
$V_{BVD\text{DET}}$	Battery Voltage Detector Threshold	Ta = 25°C	×0.992		×1.008	V
		$-40^\circ\text{C} \leq T_a \leq 105^\circ\text{C}$	<span style="border: 1px solid black; padding: 0 2px;">×0.98</span>		<span style="border: 1px solid black; padding: 0 2px;">×1.01</span>	
$V_{SV\text{DET}}$	SENSE Voltage Detector Threshold	Ta = 25°C	×0.995		×1.005	V
		$-40^\circ\text{C} \leq T_a \leq 105^\circ\text{C}$	<span style="border: 1px solid black; padding: 0 2px;">×0.9875</span>		<span style="border: 1px solid black; padding: 0 2px;">×1.0075</span>	
$V_{BV\text{HYS}}$	Battery Voltage Threshold Hysteresis		$\frac{V_{BVD\text{DET}}}{\times 0.01}$	$V_{BVD\text{DET}} \times 0.03$	$\frac{V_{BVD\text{DET}}}{\times 0.05}$	V
$V_{SV\text{HYS}}$	SENSE Voltage Detector Threshold Hysteresis		$\frac{V_{SV\text{DET}}}{\times 0.003}$	$V_{SV\text{DET}} \times 0.005$	$\frac{V_{SV\text{DET}}}{\times 0.007}$	V
$t_{\text{DELAY}}$	Release Output Delay Time (Power-on Reset)	$C_D = 10 \text{ nF}^{(5)}$	<span style="border: 1px solid black; padding: 0 2px;">2</span>	4	<span style="border: 1px solid black; padding: 0 2px;">8</span>	ms
$V_{UV\text{LO}}$	UVLO Detector Threshold			1.8	<span style="border: 1px solid black; padding: 0 2px;">2.8</span>	V
$V_{UV\text{LOHYS}}$	UVLO Detector Threshold Hysteresis			0.1	<span style="border: 1px solid black; padding: 0 2px;">0.2</span>	V
$V_{BVD}$	BVD Pull-up Voltage				<span style="border: 1px solid black; padding: 0 2px;">6.0</span>	V
$V_{SVD}$	SVD Pull-up Voltage				<span style="border: 1px solid black; padding: 0 2px;">6.0</span>	V
$I_{\text{OUTBVD}}$	Nch Output Current (BVD Output Pin)	$V_{IN} = V_{BVD\text{DET}} - 0.1 \text{ V}$ , $V_{DS} = 0.1 \text{ V}$	<span style="border: 1px solid black; padding: 0 2px;">0.8</span>	2.0		mA
$I_{\text{OUTSVD}}$	Nch Output Current (SVD Output Pin)	$V_{IN} = 3.0 \text{ V}$ , $V_{DS} = 0.1 \text{ V}$	<span style="border: 1px solid black; padding: 0 2px;">0.8</span>	2.0		mA
$I_{\text{LEAKBVD}}$	Nch Leakage Current (BVD Output Pin)	$V_{BVD} = 5.5 \text{ V}$			<span style="border: 1px solid black; padding: 0 2px;">0.3</span>	μA
$I_{\text{LEAKSVD}}$	Nch Leakage Current (SVD Output Pin)	$V_{SVD} = 5.5 \text{ V}$			<span style="border: 1px solid black; padding: 0 2px;">0.3</span>	μA
$R_{\text{LCD}}$	$C_D$ Pin Discharge Nch Tr.ON Resistance	$V_{CE} = 0 \text{ V}$ , $V_{CD} = 0.1 \text{ V}$		1.2	<span style="border: 1px solid black; padding: 0 2px;">3.0</span>	kΩ

All test items listed under Electrical Characteristics are done under the pulse load condition ( $T_j \approx T_a = 25^\circ\text{C}$ ).

<sup>(5)</sup>  $t_{\text{DELAY}}$  is adjustable by only  $C_D$  of SENSE Voltage Detector.  $t_{\text{DELAY}}$  of Battery Voltage Detector is fixed internally. Refer to Release delay time data in TYPICAL CHARACTERISTICS for detail information.



## ELECTRICAL CHARACTERISTICS (Continued)

The specifications surrounded by   are guaranteed by design engineering at  $-40^{\circ}\text{C} \leq T_a \leq 105^{\circ}\text{C}$

### R5117S Product-specific Electrical Characteristics

Product Name	V <sub>OUT</sub>			V <sub>OUT</sub>		
	T <sub>a</sub> =25°C			-40°C ≤ T <sub>a</sub> ≤ 105°C		
	Min.	Typ.	Max.	Min.	Typ.	Max.
R5117S001A	4.975	5.000	5.025	<span style="border: 1px solid black; padding: 0 2px;">4.938</span>	5.000	<span style="border: 1px solid black; padding: 0 2px;">5.037</span>
R5117S002A	3.284	3.300	3.316	<span style="border: 1px solid black; padding: 0 2px;">3.259</span>	3.300	<span style="border: 1px solid black; padding: 0 2px;">3.324</span>

Product Name	V <sub>BVDET</sub>			V <sub>BVDET</sub>			V <sub>BVHYS</sub>		
	T <sub>a</sub> =25°C			-40°C ≤ T <sub>a</sub> ≤ 105°C			T <sub>a</sub> =25°C		
	Min.	Typ.	Max.	Min.	Typ.	Max.	Min.	Typ.	Max.
R5117S001A	6.647	6.700	6.753	<span style="border: 1px solid black; padding: 0 2px;">6.566</span>	6.700	<span style="border: 1px solid black; padding: 0 2px;">6.767</span>	<span style="border: 1px solid black; padding: 0 2px;">0.06700</span>	0.20100	<span style="border: 1px solid black; padding: 0 2px;">0.33500</span>
R5117S002A	5.159	5.200	5.241	<span style="border: 1px solid black; padding: 0 2px;">5.096</span>	5.200	<span style="border: 1px solid black; padding: 0 2px;">5.252</span>	<span style="border: 1px solid black; padding: 0 2px;">0.05200</span>	0.15600	<span style="border: 1px solid black; padding: 0 2px;">0.26000</span>

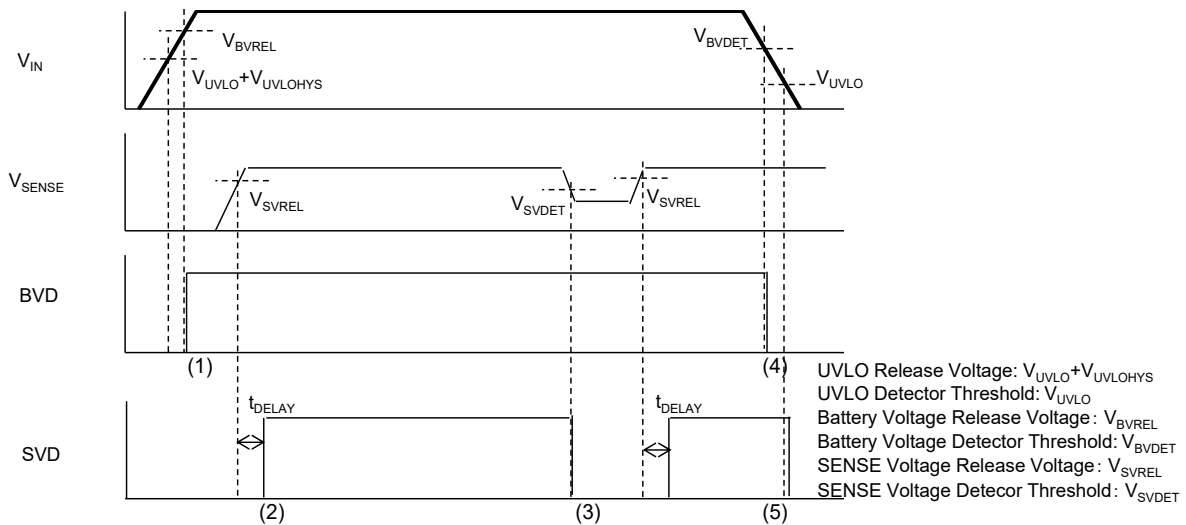
Product Name	V <sub>SVDET</sub>			V <sub>SVDET</sub>			V <sub>SVHYS</sub>		
	T <sub>a</sub> =25°C			-40°C ≤ T <sub>a</sub> ≤ 105°C			T <sub>a</sub> =25°C		
	Min.	Typ.	Max.	Min.	Typ.	Max.	Min.	Typ.	Max.
R5117S001A	4.796	4.820	4.844	<span style="border: 1px solid black; padding: 0 2px;">4.760</span>	4.820	<span style="border: 1px solid black; padding: 0 2px;">4.856</span>	<span style="border: 1px solid black; padding: 0 2px;">0.01446</span>	0.02410	<span style="border: 1px solid black; padding: 0 2px;">0.03374</span>
R5117S002A	3.165	3.180	3.195	<span style="border: 1px solid black; padding: 0 2px;">3.141</span>	3.180	<span style="border: 1px solid black; padding: 0 2px;">3.203</span>	<span style="border: 1px solid black; padding: 0 2px;">0.00954</span>	0.01590	<span style="border: 1px solid black; padding: 0 2px;">0.02226</span>

## THEORY OF OPERATION

### Thermal Shutdown

When the junction temperature of this device exceeds 175°C (Typ.), the built-in thermal shutdown circuit stops the regulator operation. After that, when the temperature drops to 145°C (Typ.) or lower, the regulator restarts the operation. Unless eliminating the overheating problem, the regulator turns on and off repeatedly and a pulse shaped output voltage occurs as result.

### R5117xxx Voltage Detector



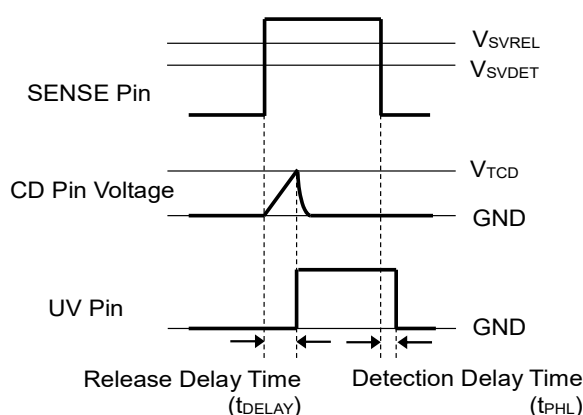
**R5117xxx Voltage Detector Timing Chart**

- (1) When the Input pin voltage ( $V_{IN}$ ) exceed the Battery voltage release voltage ( $V_{BVREL}$ ), the BVD pin output becomes “High” after the release delay time (Typ. 20 $\mu$ s).
- (2) When SENSE pin voltage ( $V_{SENSE}$ ) exceed the SENSE voltage release voltage ( $V_{SVREL}$ ), the SVD pin output becomes “High” after the release delay time ( $t_{DELAY}$ ).
- (3) When  $V_{SENSE}$  decreases less than the SENSE voltage detector threshold ( $V_{SVDET}$ ), the SVD pin output becomes “Low” after the detection delay time (Typ. 100  $\mu$ s) and enters the SENSE voltage detecting state.
- (4) When the Input pin voltage ( $V_{IN}$ ) decreases less than the Battery voltage detector threshold ( $V_{BVDET}$ ), the BVD pin output becomes “Low” after the detection delay time (Typ. 6.0 $\mu$ s) and enters the Battery voltage detecting state.
- (5) When the Input pin voltage ( $V_{IN}$ ) decreases less than the UVLO detector threshold ( $V_{UVLO}$ ), the SVD pin output becomes “Low”.

## SENSE Voltage Monitoring VD Delay Operation and Release Delay Time ( $t_{\text{DELAY}}$ )

### At SENSE Voltage Detection

When supplying a voltage higher than the SENSE voltage release voltage ( $V_{\text{SVREL}}$ ) to the SENSE pin, a charging to an external capacitor starts and the CD pin voltage ( $V_{\text{CD}}$ ) increases. The SVD pin voltage ( $V_{\text{SVD}}$ ) maintains “Low” until  $V_{\text{CD}}$  reaches the CD pin threshold voltage ( $V_{\text{TCD}}$ ). When  $V_{\text{CD}}$  exceeds  $V_{\text{TCD}}$ ,  $V_{\text{SVD}}$  is inverted from “Low” to “High”. The release delay time ( $t_{\text{DELAY}}$ ) is the period from the time the SENSE pin voltage ( $V_{\text{SENSE}}$ ) exceeds  $V_{\text{SVREL}}$  to a rising edge of  $V_{\text{SVD}}$ . When the output voltage turns from “Low” to “High”, a charge carrier of the external capacitor starts discharging. When supplying a voltage lower than the SENSE voltage detector threshold ( $V_{\text{SVDET}}$ ) to the SENSE pin, the detection delay time ( $t_{\text{PHL}}$ ) remains constant independently of the external capacitor.  $t_{\text{PHL}}$  is the period that  $V_{\text{SVD}}$  is inverted from “High” to “Low”.



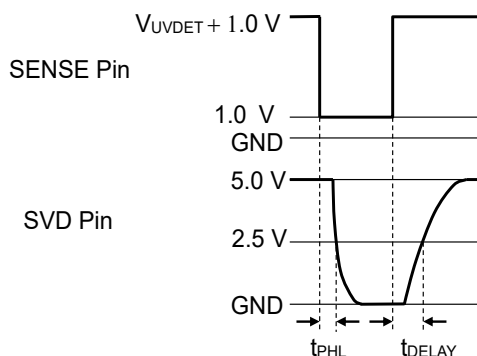
**SENSE Voltage Release Delay Timing Diagram**

### Calculation of SENSE Voltage Release Delay Time

The following equation can calculate a typical value of the release delay time ( $t_{\text{DELAY}}$ ) with using the external capacitor ( $C_{\text{D}}$ ).

$$t_{\text{DELAY}} (\text{s}) = 0.72 \times C_{\text{D}} (\text{F}) / (1.8 \times 10^{-6})$$

$t_{\text{DELAY}}$  is the period from supplying a pulse voltage of “1.0 V to ( $V_{\text{SVDET}} + 1.0 \text{ V}$ )” to the SENSE pin by pulling-up SVD pin to 5 V with 100 k $\Omega$  resistor to the SVD pins reached 2.5 V.



**Voltage Setting of Voltage Regulator**

The SENSE Voltage Detector (SVD) detects the drop and rise of the Voltage Regulator (VR). When the SENSE release voltage is set to a voltage above the VR output voltage, the reset signal of SVD is not released even if SVD monitors the VR output voltage returns to the normal value after detecting the drop of VR.

To prevent this issue, the following conditions are required between  $V_{OUT}$  and  $V_{SVREL}$ .

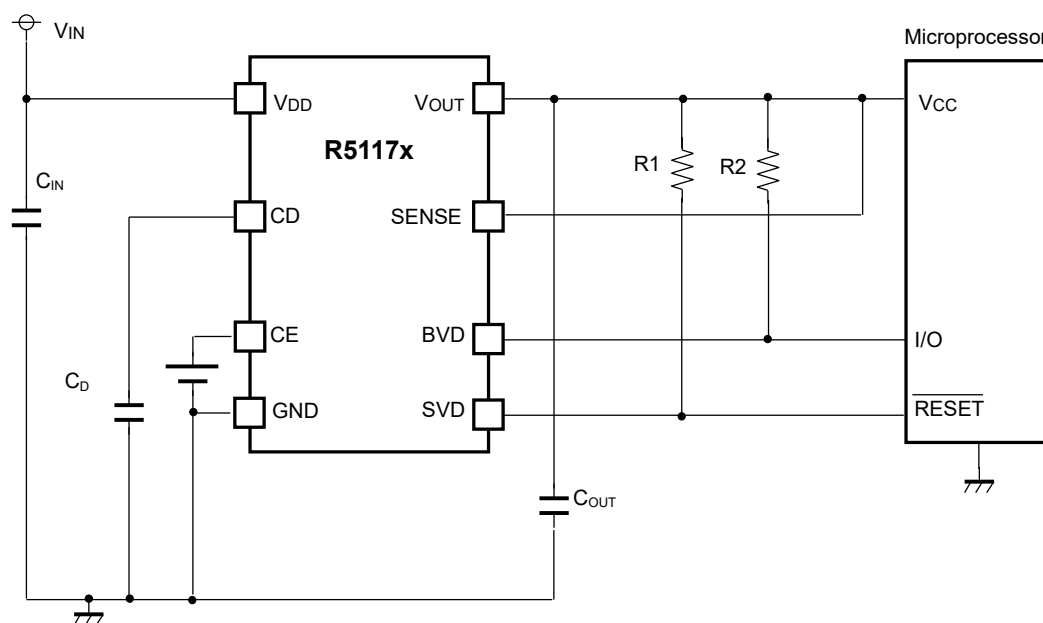
$$(\text{VR Set Output Voltage}) \times 0.9875 - 15 \text{ mV}^* > (\text{SENSE Set Detector Threshold}) \times 1.0075 \times 1.007$$

\*15mV is the worst value of load regulation

When using a device without the above conditions of  $V_{OUT}$  and  $V_{SVDET}$ , careful consideration must be given to the system operation before use.

## APPLICATION INFORMATION

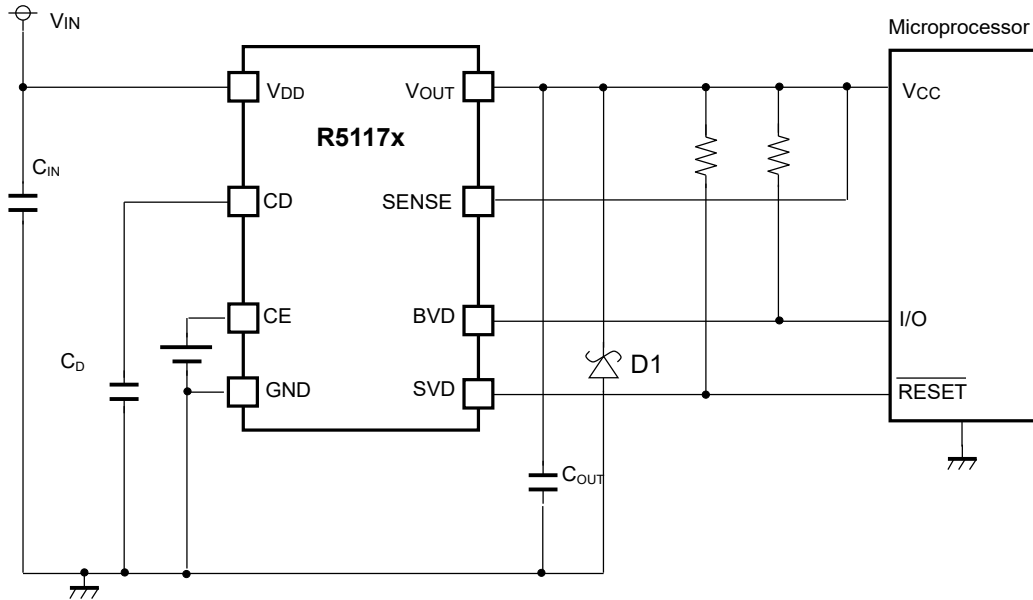
### TYPICAL APPLICATIONS



R5117xxx TYPICAL APPLICATIONS

#### Recommended Components

Symbol	Description
C <sub>IN</sub>	Ceramic Capacitor, 1.0 $\mu$ F or more, 50V Rated Voltage , CGA4J2X7R1H104K, TDK
C <sub>OUT</sub>	Ceramic Capacitor, 10 $\mu$ F or more, 50V Rated Voltage , CGA4J1X7R0J106K, TDK
C <sub>D</sub>	A capacitor corresponding to setting of Release Output Delay Time
R1/R2	A resistor covering the output current at Nch. driver ON and the leakage current at Nch. driver OFF. Refer to "Electrical Characteristic" providing the evaluation result with using a resistor of 100k $\Omega$ .

**TYPICAL APPLICATION FOR IC CHIP BREAKDOWN PREVENTION****R5117xxx Typical Application for IC Chip Breakdown Prevention**

When a sudden surge of electrical current travels along the VOUT pin and GND due to a short-circuit, electrical resonance of a circuit involving an output capacitor ( $C_{OUT}$ ) and a short circuit inductor generates a negative voltage and may damage the device or the load devices. Connecting a schottky diode (D1) between the VOUT pin and GND has the effect of preventing damage to them.

## TECHNICAL NOTES

The performance of a power source circuit using this device is highly dependent on a peripheral circuit. A peripheral component or the device mounted on PCB should not exceed a rated voltage, a rated current or a rated power. When designing a peripheral circuit, please be fully aware of the following points.

### Phase Compensation

Phase compensation is provided to secure stable operation even when the load current is varied by utilizing capacity of the output ceramic capacitor and Equivalent Series Resistance (ESR). For this purpose, be sure to use a capacitor with 10  $\mu\text{F}$  or more ( $C_{\text{OUT}}$ ) and wire it to the pin as short as possible.

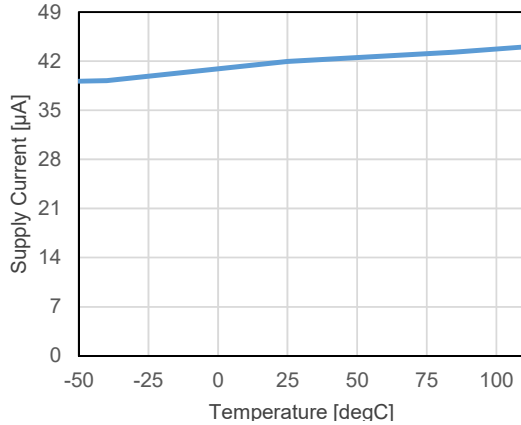
Evaluate the circuit with consideration of temperature and frequency characteristics, in case ESR value of the capacitor is large and the output is unstable. The capacitor with 1.0  $\mu\text{F}$  or more ( $C_{\text{IN}}$ ) connected in between VDD pin and GND pin must be wired the shortest.

## TYPICAL CHARACTERISTICS

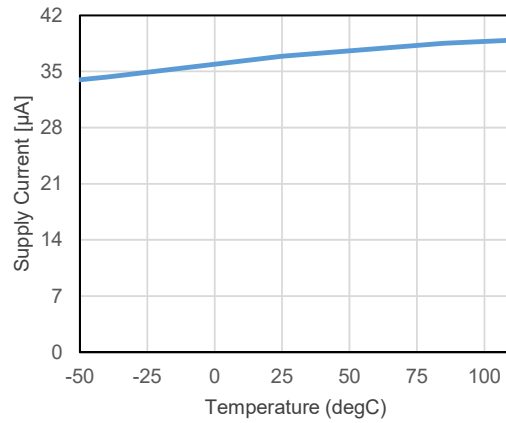
Note: Typical Characteristics are intended to be used as reference data; they are not guaranteed.

### 1) Supply Current vs. Temperature ( $V_{IN} = 14V$ )

$V_{VRSET} = 3.3V, V_{SVSET} = 3.0V, V_{BVSET} = 3.5V$

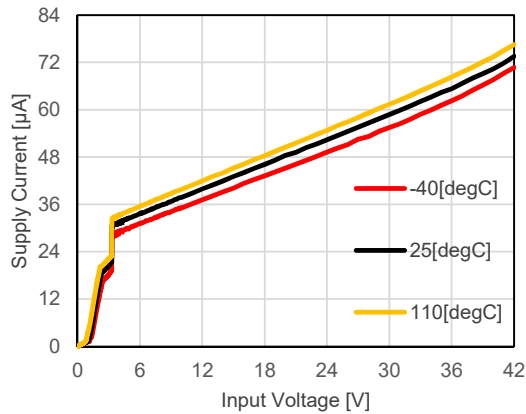


$V_{VRSET} = 3.3V, V_{SVSET} = 3.0V, V_{BVSET} = 3.5V$

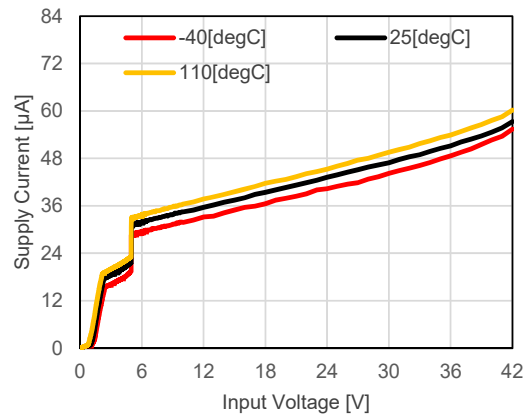


### 2) Supply Current vs. Input Voltage

$V_{VRSET} = 3.3V, V_{SVSET} = 3.0V, V_{BVSET} = 3.5V$

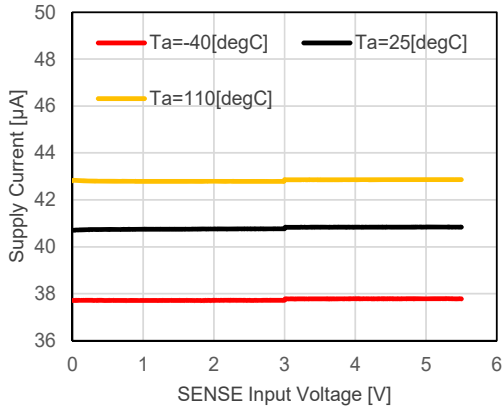


$V_{VRSET} = 5.0V, V_{BVSET} = 6.0V, V_{SVSET} = 4.6V$

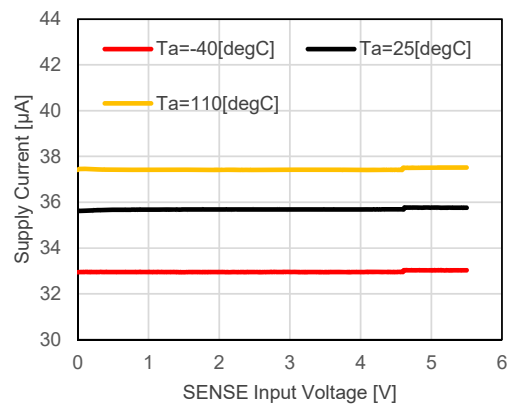


### 3) Supply Current vs. SENSE Voltage

$V_{VRSET} = 3.3V, V_{SVSET} = 3.0V, V_{BVSET} = 3.5V$



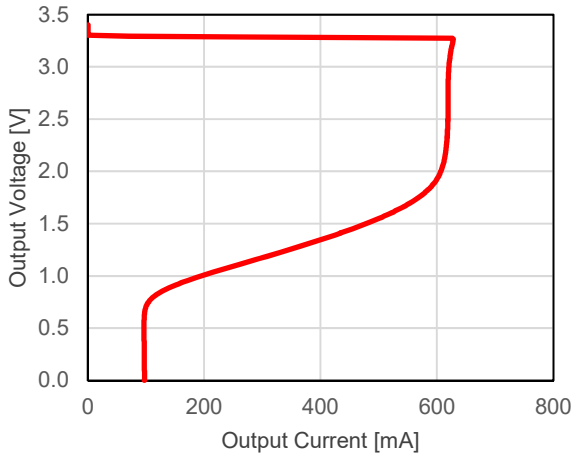
$V_{VRSET} = 3.3V, V_{SVSET} = 3.0V, V_{BVSET} = 3.5V$



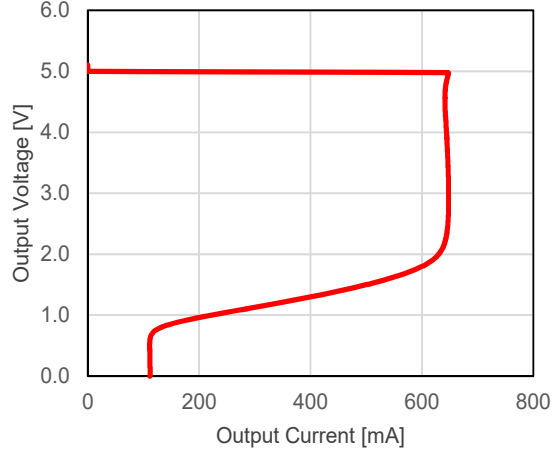


**4) Output Voltage vs. Output Current ( $V_{IN} = V_{VRSET} + 3.0\text{ V}$ ,  $T_a = 25\text{ }^\circ\text{C}$ )**

$V_{VRSET} = 3.3\text{V}$

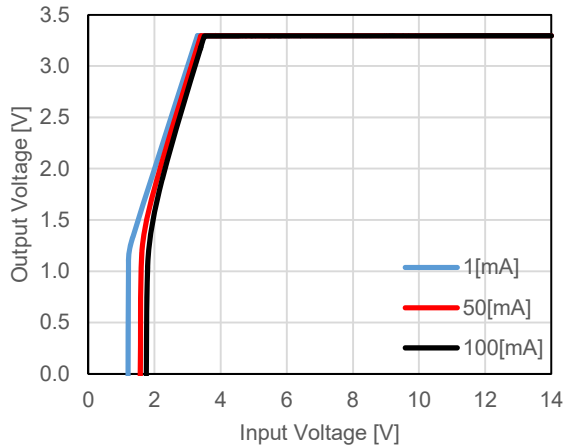


$V_{VRSET} = 5.0\text{V}$

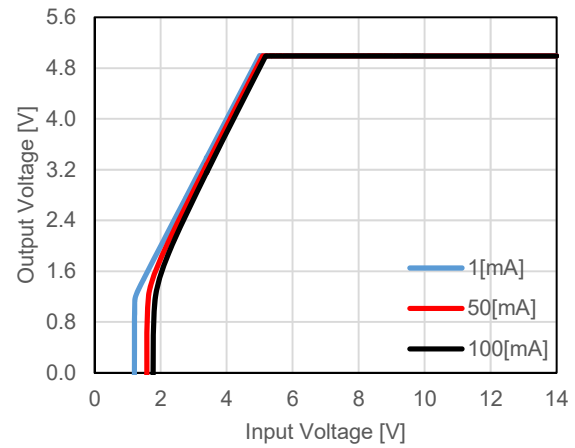


**5) Output Voltage vs. Input Voltage ( $T_a = 25\text{ }^\circ\text{C}$ )**

$V_{VRSET} = 3.3\text{V}$

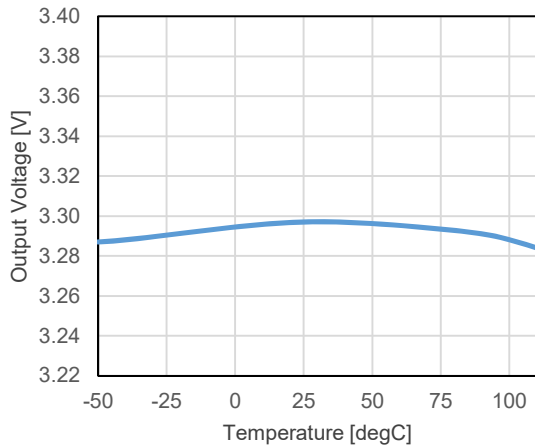


$V_{VRSET} = 5.0\text{V}$

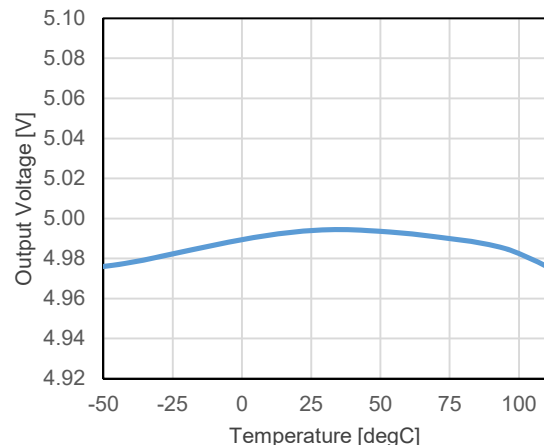


**6) Output Voltage vs. Temperature ( $V_{IN} = 14\text{V}$ ,  $I_{OUT} = 1\text{ mA}$ )**

$V_{VRSET} = 3.3\text{V}$

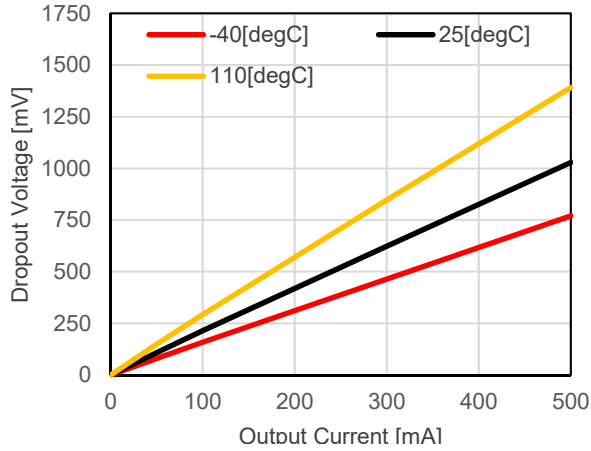


$V_{VRSET} = 5.0\text{V}$

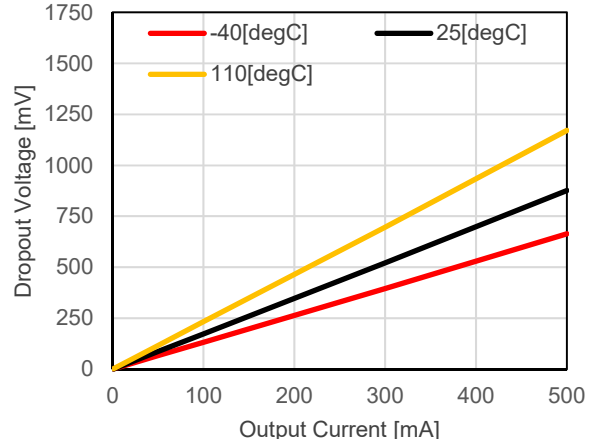


**7) Dropout Voltage vs. Output Current**

$V_{VRSET} = 3.3V$

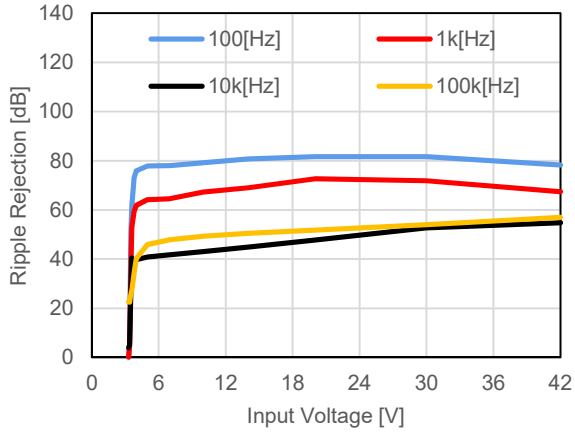


$V_{VRSET} = 3.3V$

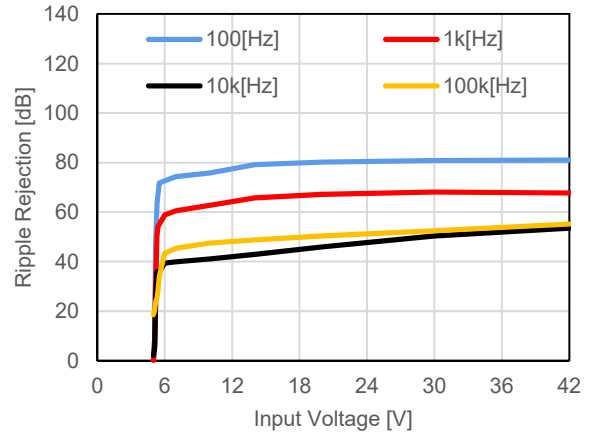


**8) Ripple Rejection vs. Input Voltage ( $T_a=25^\circ C$ ,  $V_{ripple} = \pm 0.2V$ )**

$V_{VRSET} = 3.3V$

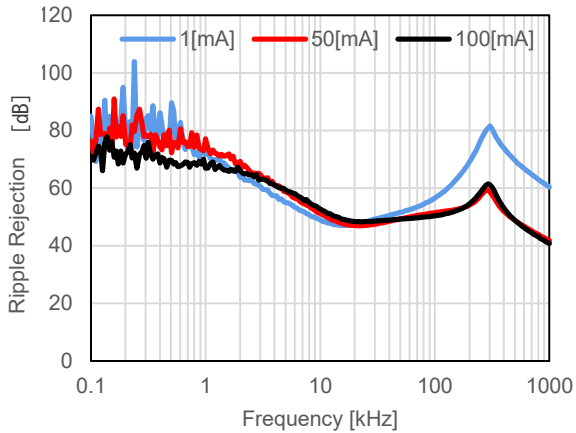


$V_{VRSET} = 5.0V$

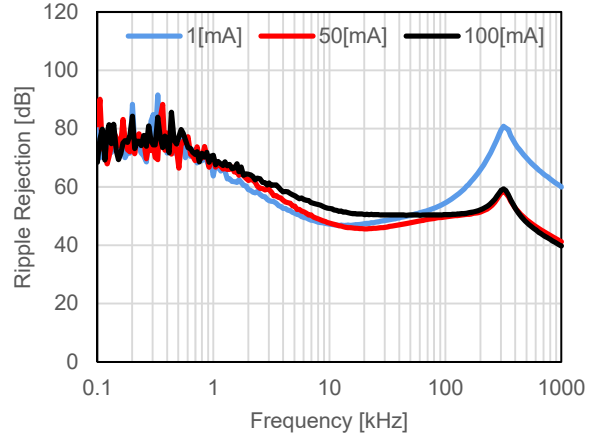


**9) Ripple Rejection vs. Frequency ( $T_a=25^\circ C$ ,  $V_{IN} = 14V \pm 0.2V_{ripple}$ )**

$V_{VRSET} = 3.3V$

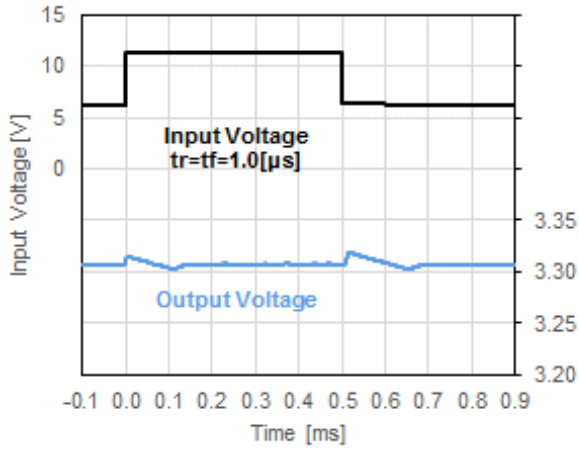


$V_{VRSET} = 3.3V$

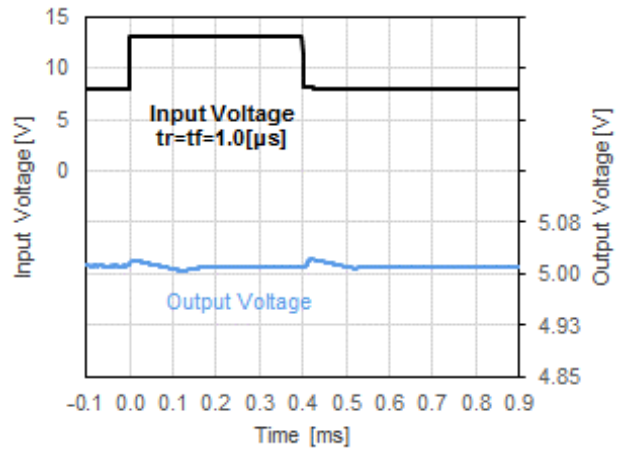


**10) Input Transient Response ( $T_a=25\text{ }^\circ\text{C}$  ,  $V_{IN} = V_{VRSET} + 3.0\text{ V} \Leftrightarrow V_{VRSET} + 8.0\text{ V}$  ,  $I_{OUT} = 1\text{ mA}$ )**

$V_{VRSET} = 3.3\text{V}$

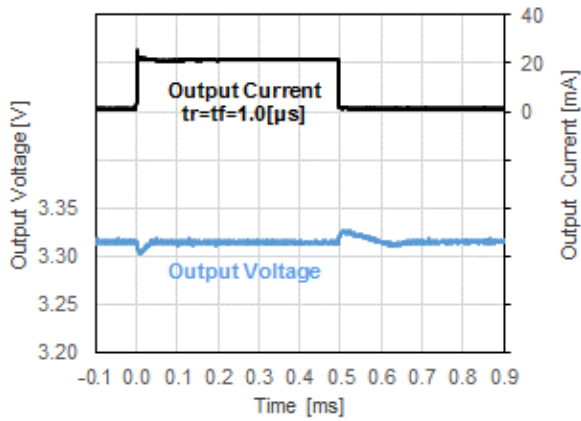


$V_{VRSET} = 3.3\text{V}$

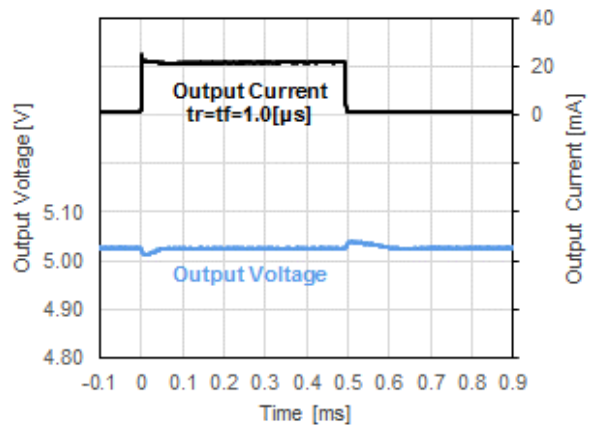


**11) Load Transient Response ( $T_a=25\text{ }^\circ\text{C}$  ,  $I_{OUT} = 1\text{ }\Leftrightarrow\text{ }20\text{ mA}$  ,  $V_{IN} = 14\text{V}$ )**

$V_{VRSET} = 3.3\text{V}$

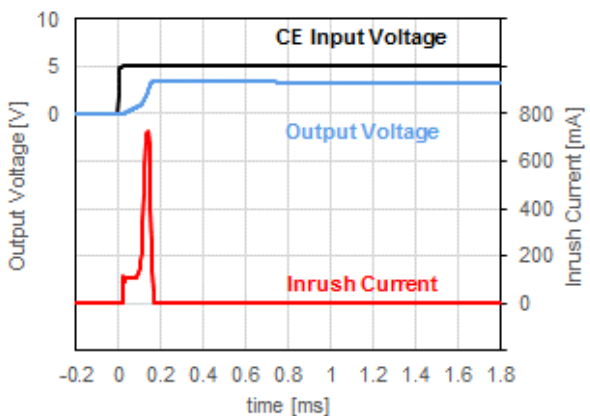


$V_{VRSET} = 3.3\text{V}$

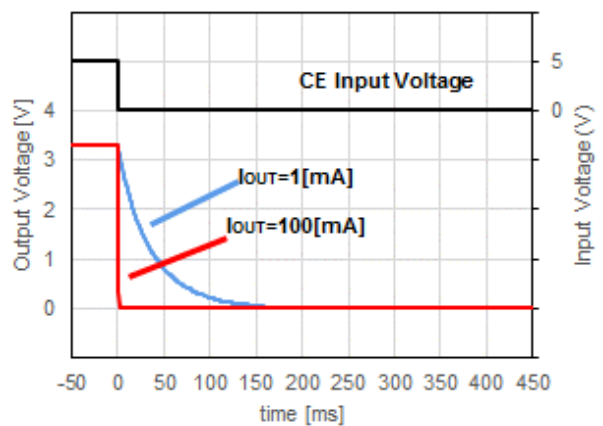


**12) CE Transient Response ( $T_a=25\text{ }^\circ\text{C}$  ,  $V_{IN} = 14\text{V}$  ,  $I_{OUT} = 1\text{ mA}$ )**

$V_{VRSET} = 3.3\text{V}$



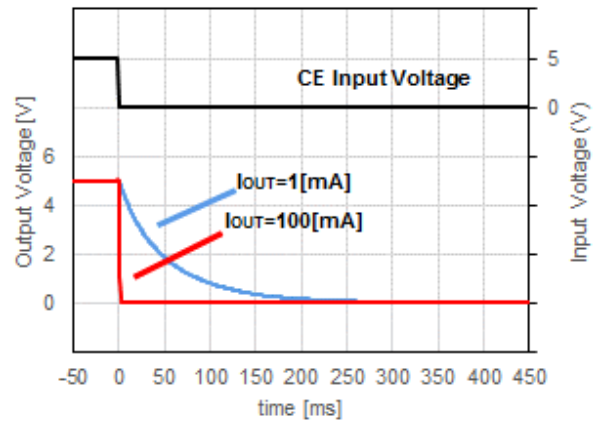
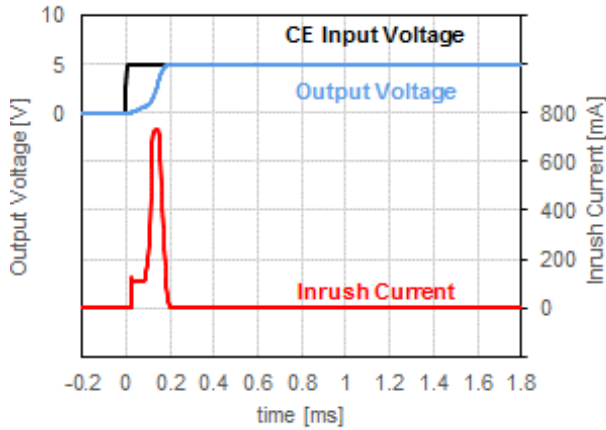
$V_{VRSET} = 3.3\text{V}$



# R5117x

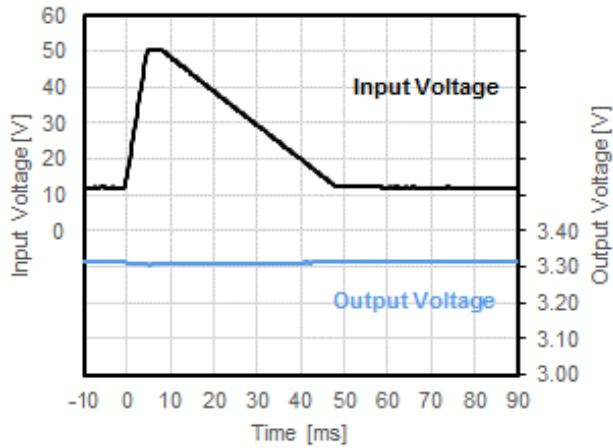
No.EA-501-201201

$V_{VRSET} = 5.0V$

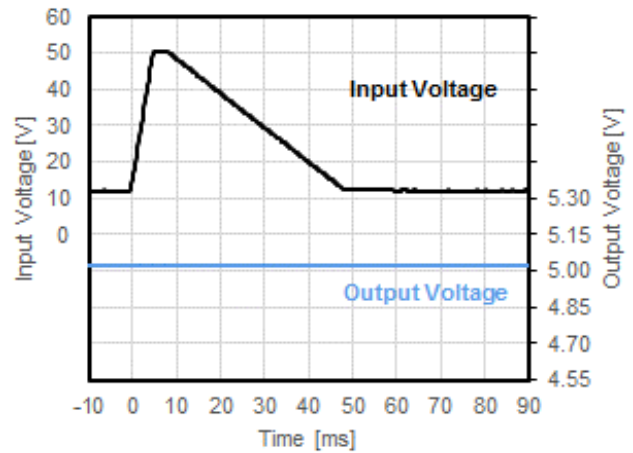


## 13) Load Dump ( $T_a = 25^\circ C$ , $I_{OUT} = 1mA$ )

$V_{VRSET} = 3.3V$

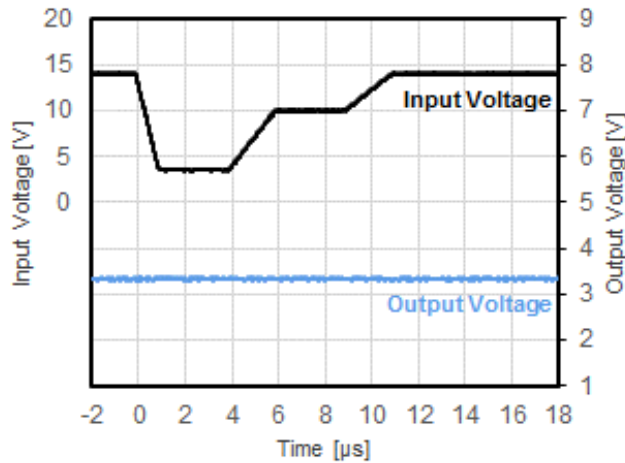


$V_{VRSET} = 3.3V$

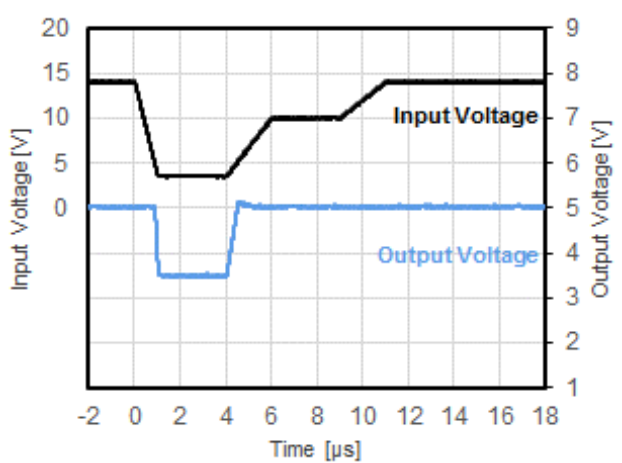


## 14) Cranking ( $T_a = 25^\circ C$ , $I_{OUT} = 1mA$ )

$V_{VRSET} = 3.3V$

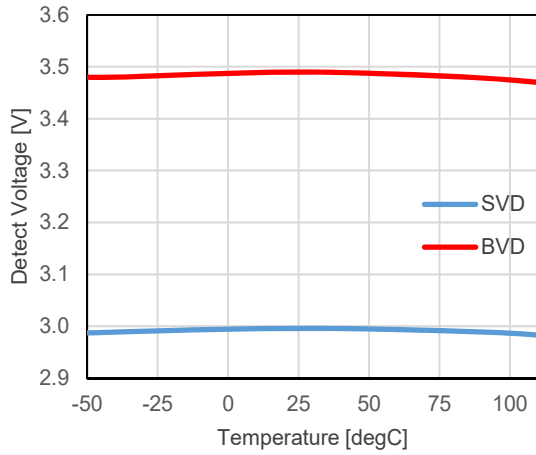


$V_{VRSET} = 3.3V$

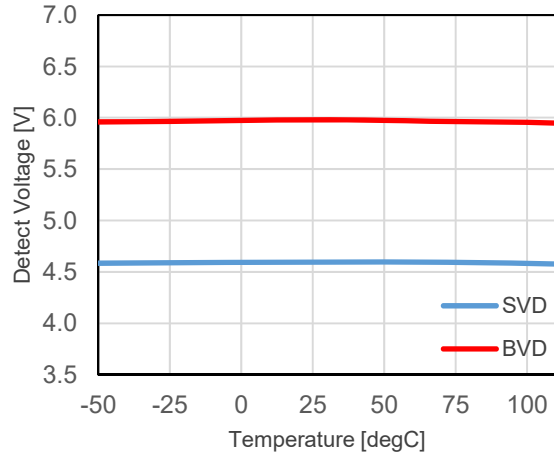


**15) SVD/BVD Detection Voltage vs. Temperature**

$V_{SVSET} = 3.0V, V_{BVSET} = 3.5V$

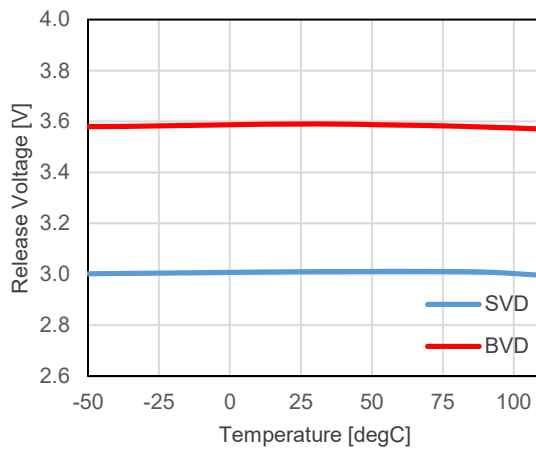


$V_{SVSET} = 3.0V, V_{BVSET} = 3.5V$

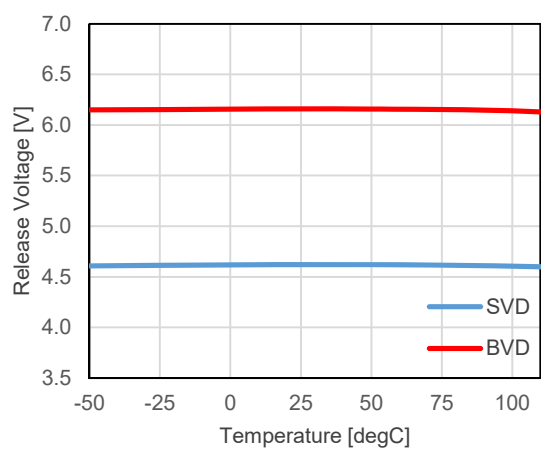


**16) SVD/BVD Release Voltage vs. Temperature**

$V_{SVSET} = 3.0V, V_{BVSET} = 3.5V$

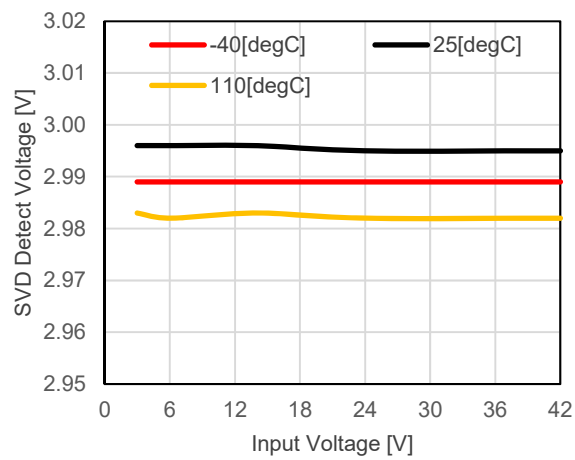


$V_{SVSET} = 3.0V, V_{BVSET} = 3.5V$

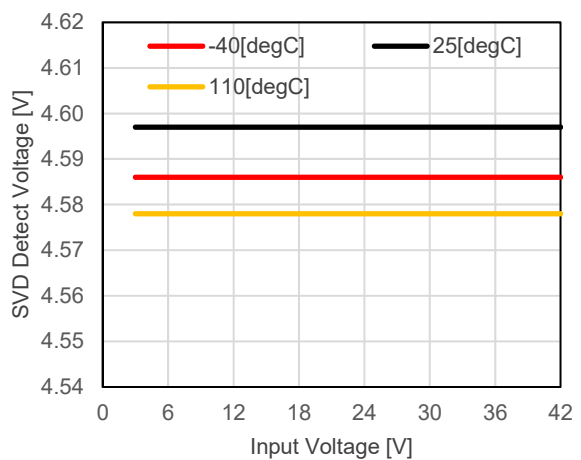


**17) SVD Detection Voltage vs. Input Voltage**

$V_{SVSET} = 3.0V$

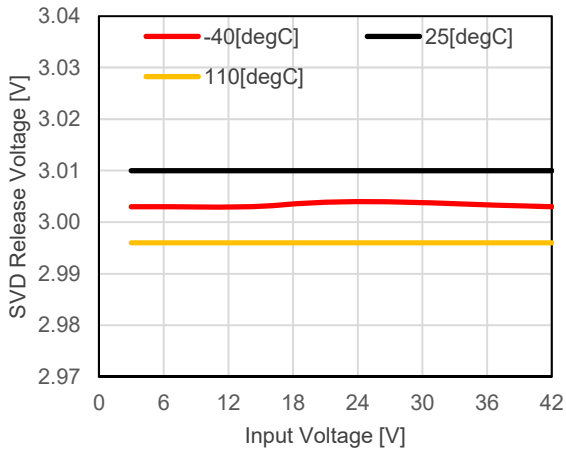


$V_{SVSET} = 3.0V$

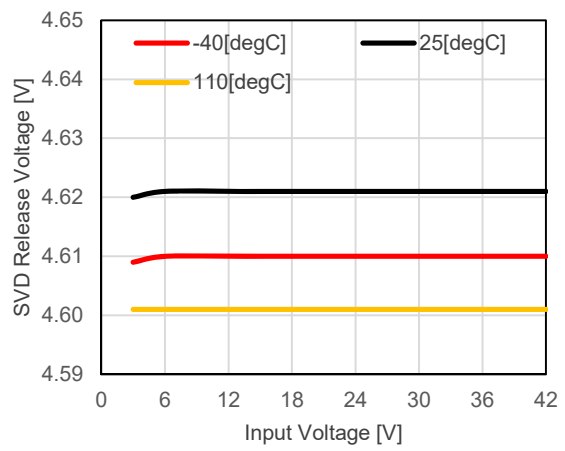


**18) SVD Release Voltage vs. Input Voltage**

$V_{SVSET} = 3.0V$

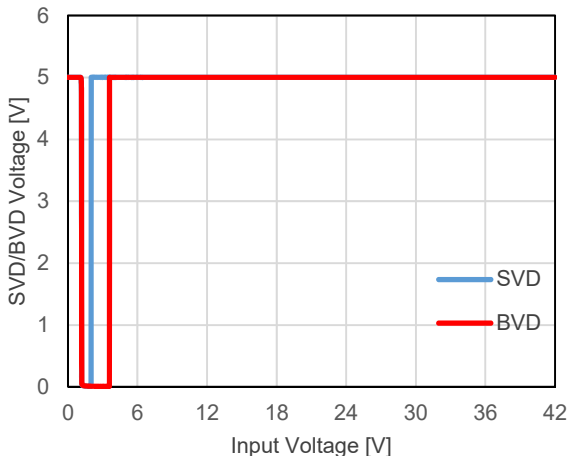


$V_{SVSET} = 3.0V$

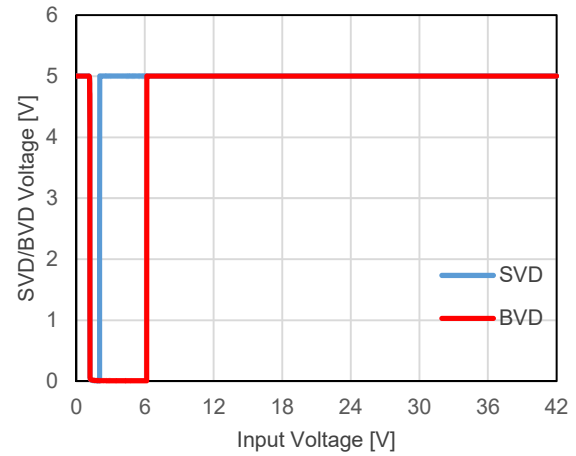


**19) SVD/BVD Voltage vs. Input Voltage (Ta = 25 °C)**

$V_{SVSET} = 3.0V, V_{BVSET} = 3.5V, \text{Pull-up Voltage} = 5.0 V$

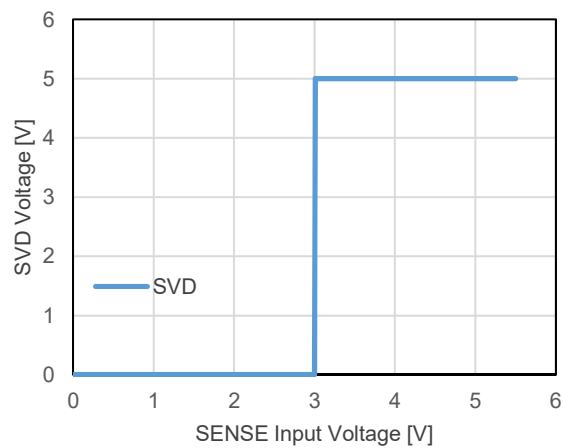


$V_{SVSET} = 3.0V, V_{BVSET} = 3.5V, \text{Pull-up Voltage} = 5.0 V$

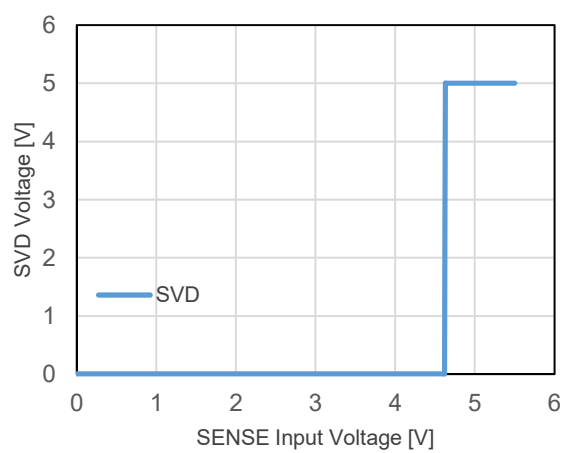


**20) SVD Voltage vs. SENSE Voltage (Ta = 25 °C)**

$V_{SVSET} = 3.0V, \text{Pull-up Voltage} = 5.0 V$

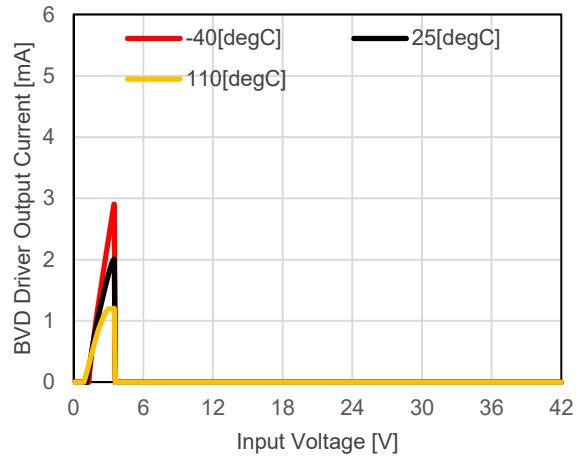
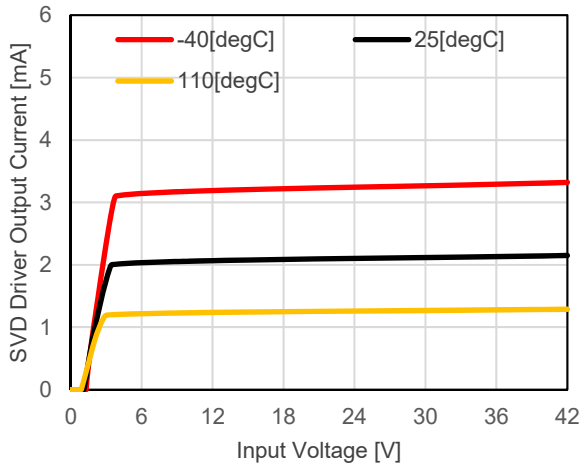


$V_{SVSET} = 3.0V, \text{Pull-up Voltage} = 5.0 V$

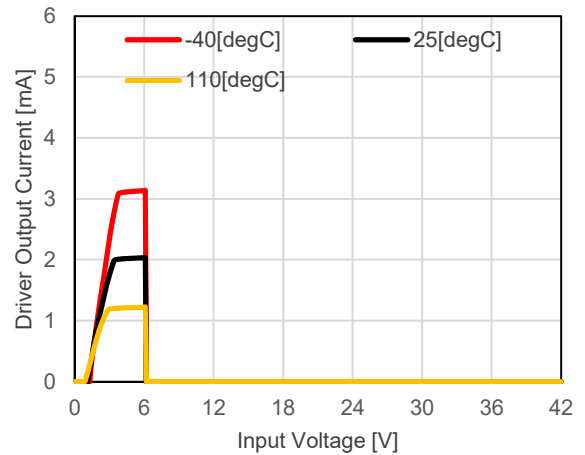
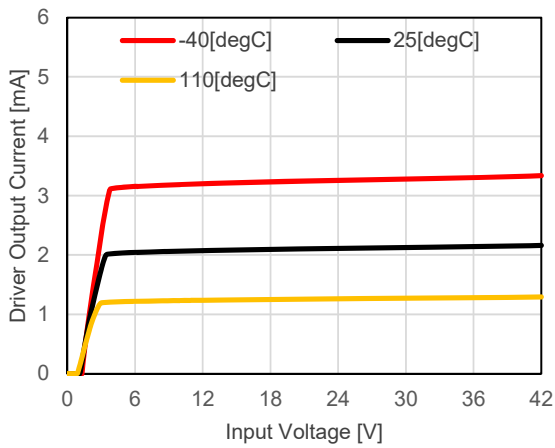


**21) SVD/BVD Driver Output Current vs. Input Voltage**

$V_{SVSET} = 3.0V, V_{BVSET} = 3.5V$

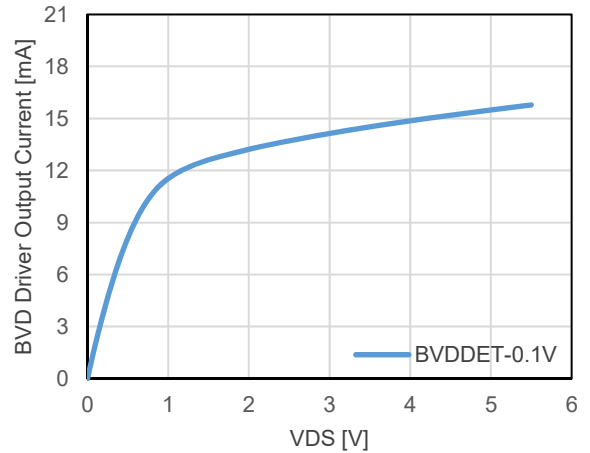
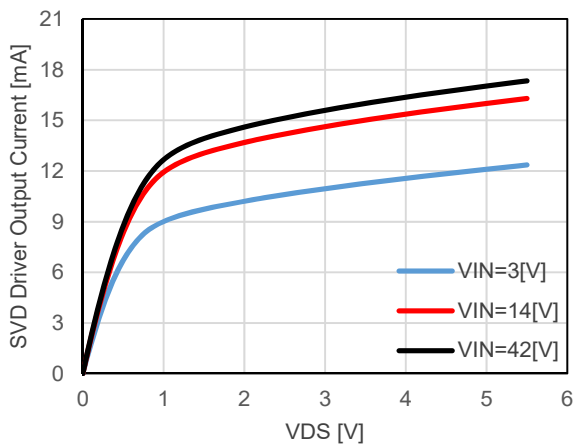


$V_{SVSET} = 4.6V, V_{BVSET} = 6.0V$



**22) SVD/BVD Driver Output Current vs.  $V_{DS}$  ( $T_a = 25^\circ C$ )**

$V_{SVSET} = 4.6V, V_{BVSET} = 6.0V$

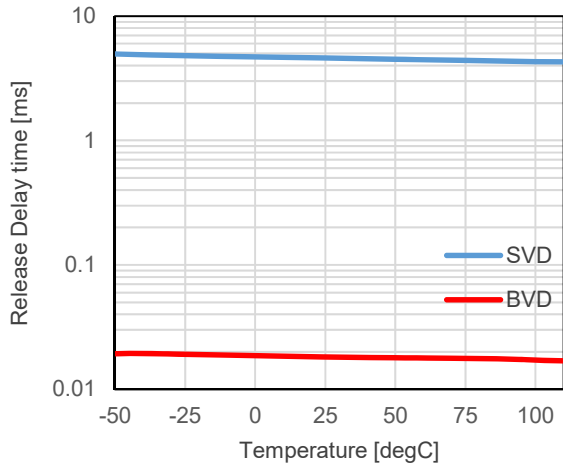


**R5117x**

No.EA-501-201201

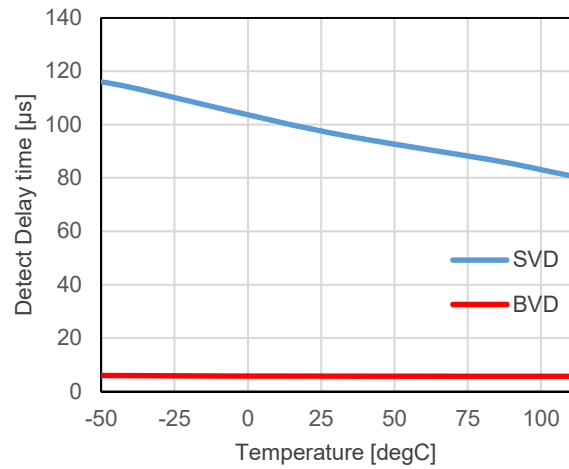
**23) Release Delay Time vs. Temperature**

$V_{SVSET} = 4.6V, V_{BVSET} = 6.0V$



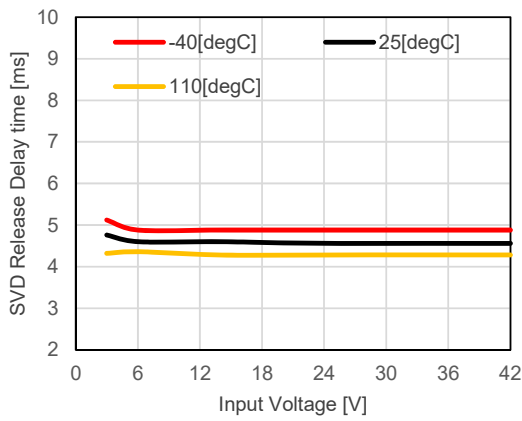
**24) Detection Delay Time vs. Temperature**

$V_{SVSET} = 4.6V, V_{BVSET} = 6.0V$



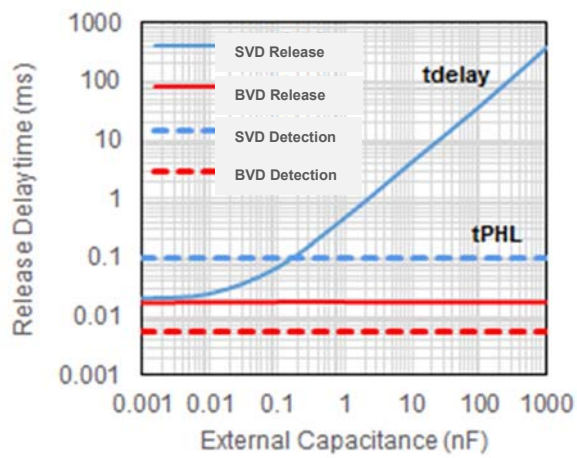
**25) Release Delay Time vs. Input Voltage**

$V_{SVSET} = 4.6V$



**26) Detect/Release Delay Time vs. External Capacitance for CD Pin ( $T_a = 25^\circ C$ )**

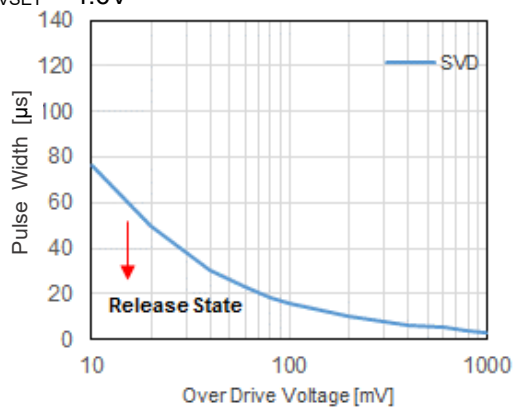
$V_{SVSET} = 4.6V, V_{BVSET} = 6.0V$



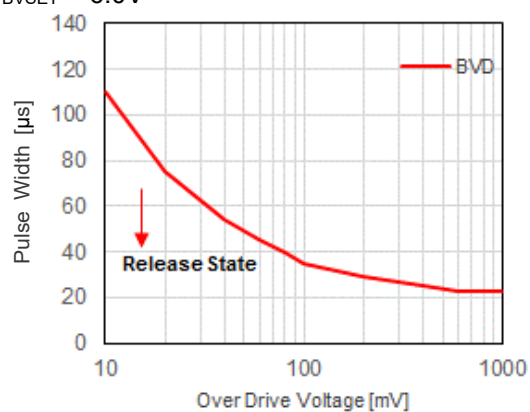


**27) SENSE Pulse Width vs. SENSE Overdrive Voltage (Ta =25 °C)**

Limit Pulse of Release State

 $V_{SVSET} = 4.6V$ **28) V<sub>IN</sub> Pulse Width vs. V<sub>IN</sub> Overdrive Voltage (Ta =25 °C)**

Limit Pulse of Release State

 $V_{BVSET} = 6.0V$ 

The power dissipation of the package is dependent on PCB material, layout, and environmental conditions. The following measurement conditions are based on JEDEC STD. 51-7.

**Measurement Conditions**

Item	Measurement Conditions
Environment	Mounting on Board (Wind Velocity = 0 m/s)
Board Material	Glass Cloth Epoxy Plastic (Four-Layer Board)
Board Dimensions	76.2 mm × 114.3 mm × 0.8 mm
Copper Ratio	Outer Layer (First Layer): Less than 95% of 50 mm Square Inner Layers (Second and Third Layers): Approx. 100% of 50 mm Square Outer Layer (Fourth Layer): Approx. 100% of 50 mm Square
Through-holes	φ 0.3 mm × 21 pcs

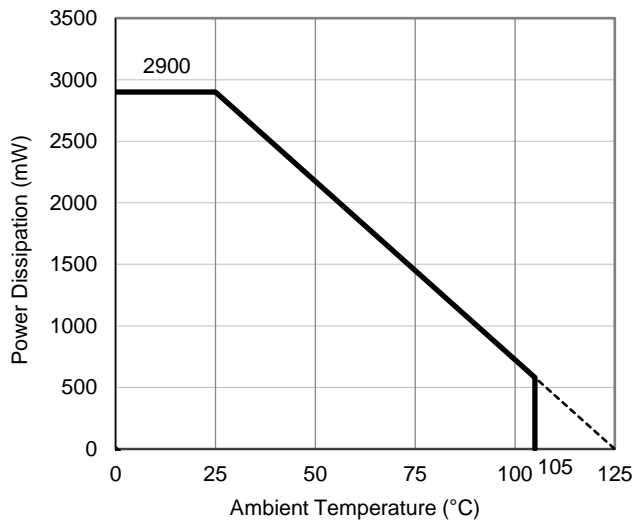
**Measurement Result**

(Ta = 25°C, Tjmax = 125°C)

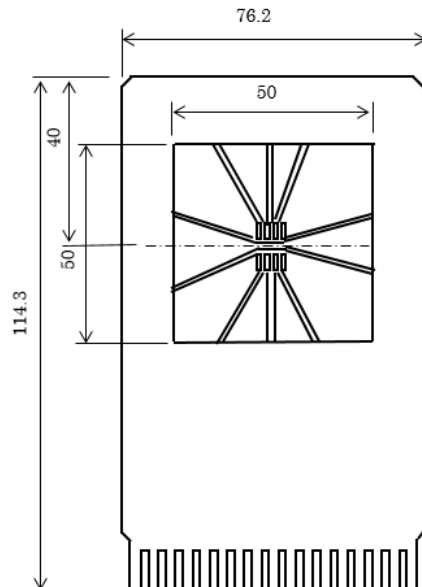
Item	Measurement Result
Power Dissipation	2900 mW
Thermal Resistance (θja)	θja = 34.5°C/W
Thermal Characterization Parameter (ψjt)	ψjt = 10°C/W

θja: Junction-to-ambient thermal resistance.

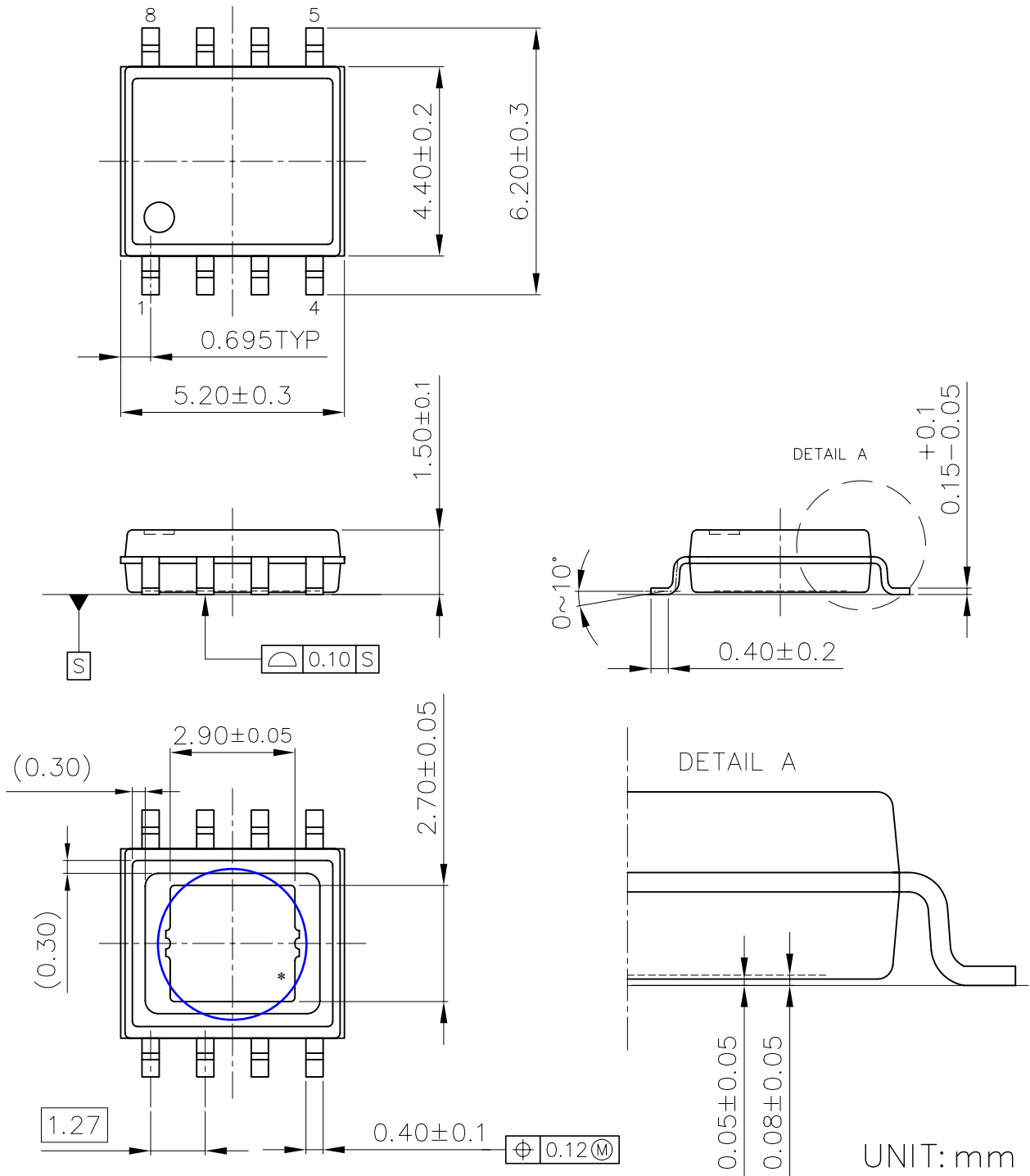
ψjt: Junction-to-top of package thermal characterization parameter



**Power Dissipation vs. Ambient Temperature**



**Measurement Board Pattern**



HSOP-8E Package Dimensions

\* The tab on the bottom of the package shown by blue circle is substrate potential (GND). It is recommended that this tab be connected to the ground plane on the board but it is possible to leave the tab floating.



1. The products and the product specifications described in this document are subject to change or discontinuation of production without notice for reasons such as improvement. Therefore, before deciding to use the products, please refer to Ricoh sales representatives for the latest information thereon.
2. The materials in this document may not be copied or otherwise reproduced in whole or in part without prior written consent of Ricoh.
3. Please be sure to take any necessary formalities under relevant laws or regulations before exporting or otherwise taking out of your country the products or the technical information described herein.
4. The technical information described in this document shows typical characteristics of and example application circuits for the products. The release of such information is not to be construed as a warranty of or a grant of license under Ricoh's or any third party's intellectual property rights or any other rights.
5. The products listed in this document are intended and designed for use as general electronic components in standard applications (office equipment, telecommunication equipment, measuring instruments, consumer electronic products, amusement equipment etc.). Those customers intending to use a product in an application requiring extreme quality and reliability, for example, in a highly specific application where the failure or misoperation of the product could result in human injury or death (aircraft, spacevehicle, nuclear reactor control system, traffic control system, automotive and transportation equipment, combustion equipment, safety devices, life support system etc.) should first contact us.
6. We are making our continuous effort to improve the quality and reliability of our products, but semiconductor products are likely to fail with certain probability. In order to prevent any injury to persons or damages to property resulting from such failure, customers should be careful enough to incorporate safety measures in their design, such as redundancy feature, fire containment feature and fail-safe feature. We do not assume any liability or responsibility for any loss or damage arising from misuse or inappropriate use of the products.
7. Anti-radiation design is not implemented in the products described in this document.
8. The X-ray exposure can influence functions and characteristics of the products. Confirm the product functions and characteristics in the evaluation stage.
9. WLCSP products should be used in light shielded environments. The light exposure can influence functions and characteristics of the products under operation or storage.
10. There can be variation in the marking when different AOI (Automated Optical Inspection) equipment is used. In the case of recognizing the marking characteristic with AOI, please contact Ricoh sales or our distributor before attempting to use AOI.
11. Please contact Ricoh sales representatives should you have any questions or comments concerning the products or the technical information.



**Ricoh is committed to reducing the environmental loading materials in electrical devices with a view to contributing to the protection of human health and the environment.**

Ricoh has been providing RoHS compliant products since April 1, 2006 and Halogen-free products since April 1, 2012.

**RICOH** RICOH ELECTRONIC DEVICES CO., LTD.

**Official website**

<https://www.n-redc.co.jp/en/>

**Contact us**

<https://www.n-redc.co.jp/en/buy/>

