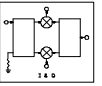
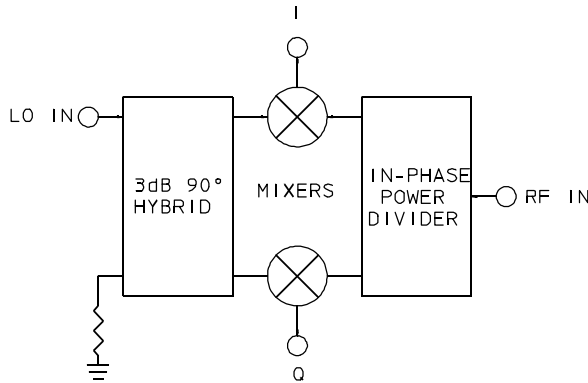


IQM-20B Series

I&Q NETWORKS

1.2 to 2.5 GHz / Minimum 10% Bandwidth / Excellent Phase and Amplitude Balance / SMA Package

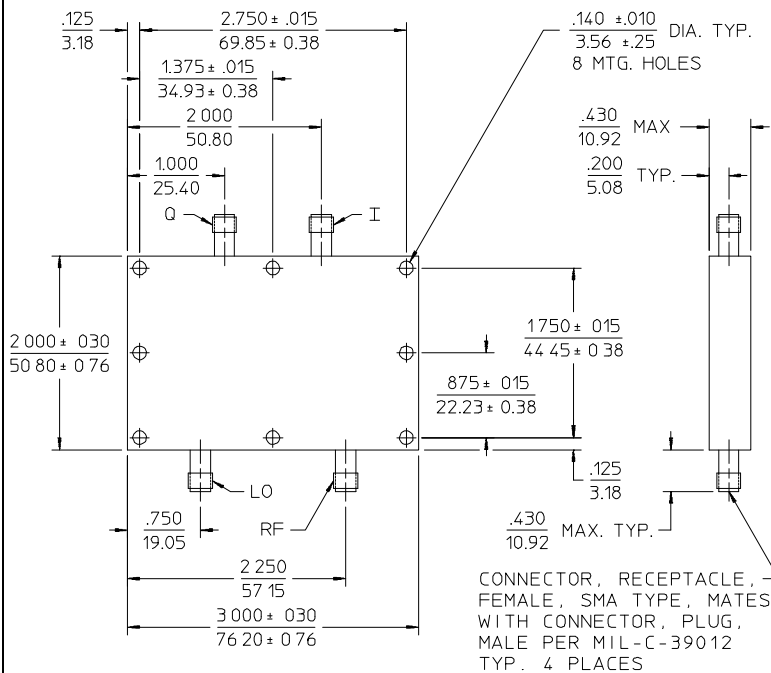


PRINCIPAL SPECIFICATIONS

Model Number	RF/LO Center Freq., f_0 , GHz	RF Bandwidth	90° Phase Accuracy, 10% LO Band		Amplitude Balance, dB, 10% LO Band		Conver. Loss (RF to I or Q)					
			LO= f_0 Typ.	LO= f_0 Max.	LO= f_0 Typ.	LO= f_0 Max.	Typ.	Max.				
IQM-20B-****B	1.2 to 2.5	10% of f_0	$\pm 3^\circ$	$\pm 5^\circ$	$\pm 1^\circ$	$\pm 2^\circ$	0.3	0.5	0.1	0.2	10 dB	12 dB

For complete Model Number replace **** with desired Center frequency, f_0 in MHz

B-Package Outline



NOTES: 1. Tolerance on 3 place decimals $\pm .030(.76)$ except as noted.
2. Dimensions in inches over millimeters.

GENERAL SPECIFICATIONS

Input VSWR: 1.5:1 max.
 RF Input Power Level: 0 dBm nom.
 LO Input Power Level: +10 dBm nom.
 Video Bandwidth: DC to \dagger 100 MHz nom.
 Weight, nominal: 3 oz (84 g)
 Impedance: 50 Ω nom.
 Operating Temp: -55° to $+85^\circ$ C
 Higher Frequencies: See IQM-D series
 \dagger Video Bandwidth is typically much greater than 100 MHz

General Notes:

1. I & Q networks are integrated networks that produce two quadrature phased, equal amplitude signals when fed RF and LO signals.
2. The IQM-2B and -20B series use both lumped element circuits and distributed circuit technologies for high performance in a proven flatpack design.
3. Merrimac I & Q Networks comply with the relevant sections of MIL-M-28837 and may be supplied screened for compliance with additional specifications for military and space applications requiring the highest reliability.

13Feb96