
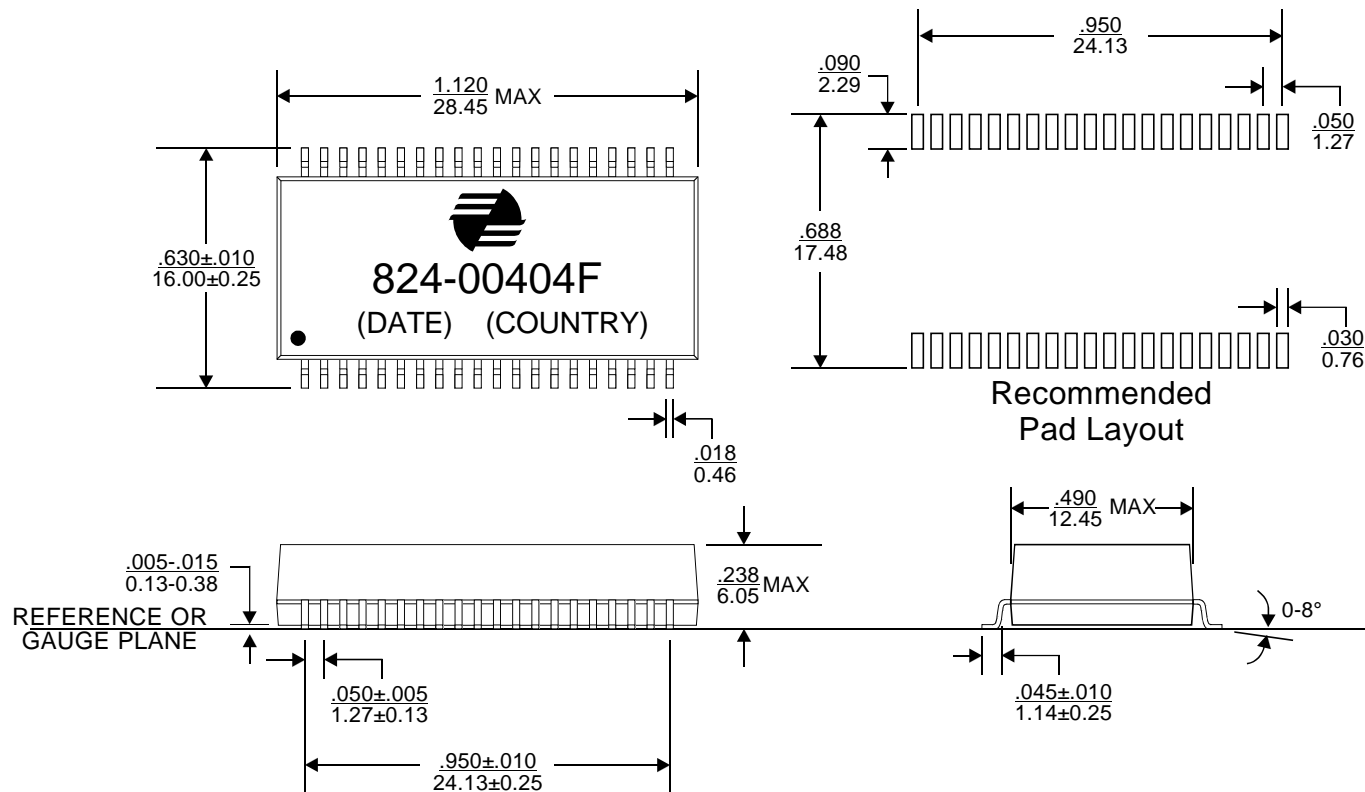


REVISIONS			
REV.	DESCRIPTION	ECN NO.	DATE
01	FIRST RELEASE	N/A	06/28/10

PAGE 4 IS FOR PRODUCTION ONLY

PART NUMBER		PART DESCRIPTION		TITLE																												
824-00404F		RoHS compliant per EU Directive 2002/95/EC(without exemption of solder content)		TRANSFORMER, 100BASE-T, QUAD, SOIC, 40 PIN, EXT. TEMP.																												
<p align="center"><u>WARNING !</u></p> <p>ALL SHEETS OF THIS DOCUMENT ARE CONTROLLED DOCUMENTATION AND ARE NOT TO BE RELEASED OUTSIDE OF E&E OR ITS SUB-CONTRACTORS WITHOUT AUTHORIZATION.</p>		UNLESS OTHERWISE SPECIFIED, DIMENSIONS ARE IN INCH/mm.		 E & E Magnetic Products Ltd.																												
		<p align="center"><u>TOLERANCE ARE:</u></p> <table border="0"> <tr> <td>INCH</td> <td>mm</td> <td>ANGLE</td> </tr> <tr> <td>.XXX ± .005</td> <td>.XX ± .13</td> <td>X.X ± 0.3</td> </tr> <tr> <td>.XX ± .02</td> <td>.X ± .5</td> <td>X. ± 1.</td> </tr> </table>		INCH	mm	ANGLE	.XXX ± .005	.XX ± .13	X.X ± 0.3	.XX ± .02	.X ± .5	X. ± 1.	<table border="1"> <thead> <tr> <th>APPROVALS</th> <th>DATE</th> </tr> </thead> <tbody> <tr> <td>DRAWN BY Y.L. YUNG</td> <td>06/28/10</td> </tr> <tr> <td>PROJ. ENG D. YUNG</td> <td>06/28/10</td> </tr> <tr> <td>APPROVED BY V. TSUI</td> <td>06/28/10</td> </tr> <tr> <td>Q.A. C.M. TSUI</td> <td>06/28/10</td> </tr> </tbody> </table>		APPROVALS	DATE	DRAWN BY Y.L. YUNG	06/28/10	PROJ. ENG D. YUNG	06/28/10	APPROVED BY V. TSUI	06/28/10	Q.A. C.M. TSUI	06/28/10	<table border="1"> <tr> <td colspan="2">DRAWING NO./MODEL</td> <td>REV</td> </tr> <tr> <td colspan="2">824-00404F</td> <td>01</td> </tr> </table>		DRAWING NO./MODEL		REV	824-00404F		01
		INCH	mm	ANGLE																												
		.XXX ± .005	.XX ± .13	X.X ± 0.3																												
		.XX ± .02	.X ± .5	X. ± 1.																												
APPROVALS	DATE																															
DRAWN BY Y.L. YUNG	06/28/10																															
PROJ. ENG D. YUNG	06/28/10																															
APPROVED BY V. TSUI	06/28/10																															
Q.A. C.M. TSUI	06/28/10																															
DRAWING NO./MODEL		REV																														
824-00404F		01																														
SCALE		PAGE	OF																													
DO NOT SCALE		1	4																													



1. Dimensions are specified in $\frac{\text{inches}}{\text{mm}}$ with higher precedence in inches.
2. Unless otherwise specified, all tolerances are $\pm \frac{.010}{0.25}$.
3. Coplanarity: $\frac{.004}{0.10}$ max.
4. "(DATE)" includes at least the manufacturing date code (in YYWW format) plus two character country code.
5. Dimensions are to be measured in accordance with JEDEC standard 95-1.

MECHANICAL OUTLINE



E & E Magnetic Products Ltd.

DRAWING NO./MODEL

824-00404F

REV

01

SCALE

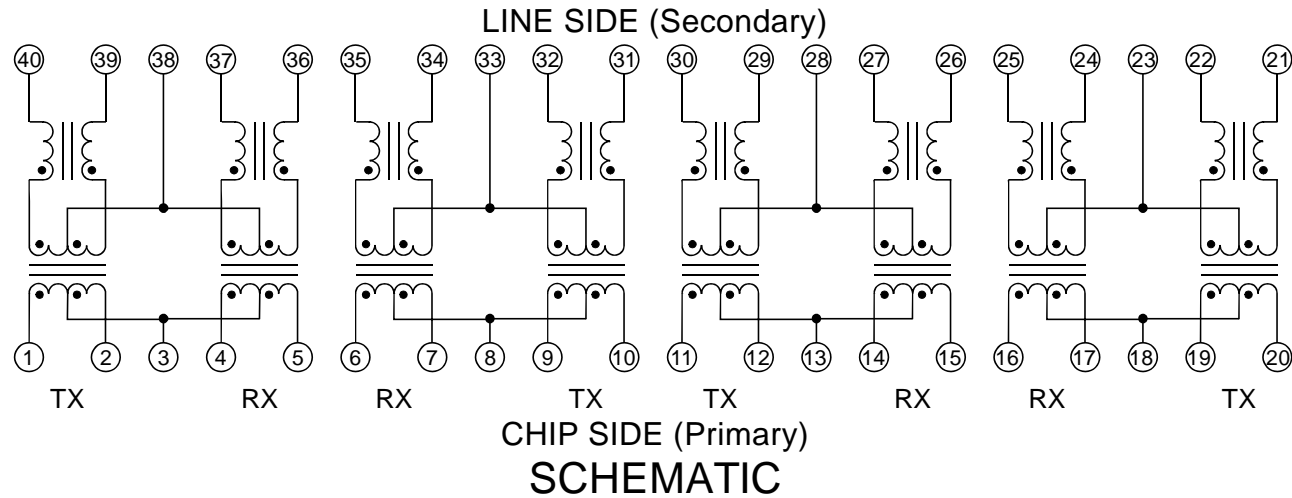
DO NOT SCALE

PAGE

2

OF


4



ELECTRICAL SPECIFICATION @25°C:

PARAMETERS	UNIT	Tx-Side	Rx-Side
Turns Ratio (Primary):(Secondary)	-	1CT:1CT ± 2%	1CT:1CT ± 2%
Polarity (Primary):(Secondary)	-	Per Schematic	Per Schematic
Inductance, Ls (Primary) @100kHz, 0.1Vrms, 8mADC	uH	350 Min	350 Min
Insertion Loss @1-100MHz	dB	1.0 Max	1.0 Max
Return Loss @2-30MHz	dB	18 Min	18 Min
Return Loss @40MHz	dB	14.4 Min	14.4 Min
Return Loss @50MHz	dB	13.1 Min	13.1 Min
Return Loss @60-80MHz	dB	12 Min	12 Min
CMRR @1-100MHz	dB	30 Min	30 Min
CMRR @100-500MHz	dB	13 Min	13 Min
DM-CMRR @1-100MHz	dB	40 Min	40 Min
Crosstalk @1-100MHz (Tx<=>Rx)	dB	28 Min	
HIPOT (Primary):(Secondary)	Vrms	1500 Min	1500 Min

6. Operating temperature : -40°C to +85°C.

 E & E Magnetic Products Ltd.	
DRAWING NO./MODEL	REV
824-00404F	01
SCALE	PAGE OF
DO NOT SCALE	3 OF 4