



ETA-USA

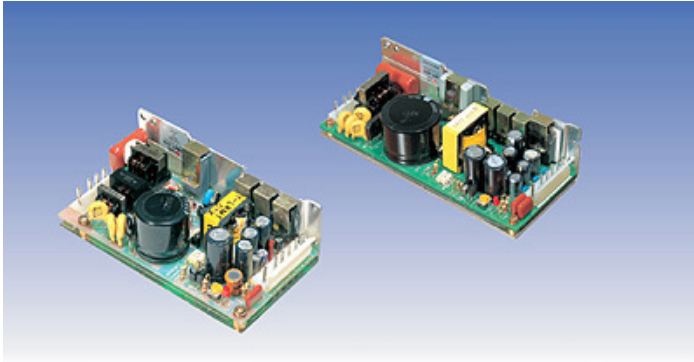
HIGH QUALITY SWITCHING POWER SUPPLIES

**AC/DC SWITCHING POWER SUPPLY
TRIPLE CHANNEL OUTPUT
15 WATTS
UNIVERSAL INPUT**

LRMY-00X SERIES

General Description

The LR series have a universal input range without any selection. They are small in size, low price, and are highly reliable due to their simple circuitry.



Features

1. Small-sized and lightweight
2. Two ways mountable

Application

Broad needs

Input

Input Voltage:	AC115-230V
Input Voltage Range:	AC85~264V
Input current:	0.23~0.39A
Frequency:	50/60 Hz
Frequency Range:	47~440Hz
Phase:	Single
Inrush Current: *1	23A (max.) at AC115V 46A (max.) at AC230V

Options

Wire harness set (40cm)

Vertical/horizontal mount

Certified:



ETA USA

16170 Vineyard Blvd. Suite 180, Morgan Hill, CA 95037
Phone: 1-800-ETA-POWR, (408) 778-2793 Fax: (408) 779-2753

Visit us at: www.eta-usa.com
email at: sales@eta-usa.com



ETA-USA

HIGH QUALITY SWITCHING POWER SUPPLIES

Output Characteristic	Unit	Models								
		LRMY01X			LRMY03X			LRMY04X		
		V1	V2	V3	V1	V2	V3	V1	V2	V3
Output Voltage	Vdc	+5	+12	-12	+5	+12	-5	+5	+15	-15
Output Current	A	0.2~2	0.3	0.2	0.2~2	0.3	0.2	0.2~2	0.2	0.2
Voltage Adjust Range	V	V1: +0.3% , V2,V3: ±4.2%								
Ripple & Noise(max)	mVpp	100	170	170	100	170	100	100	200	200
Rise time	mS	200 max								
Hold up time	mS	10 mS typical								
Regulation										
a. Line Regulation [max]	mV	25	60	60	25	60	25	25	75	75
b. Load Regulation	V	±0.5% of rated output voltage								
c. Temperature Coefficient	°C	0.03%/°C								
d. Drift(maximum)	mV	(Output voltage *0.5%+15)/8H								
Efficiency *1	%	66								
Power Factor *1		No PFC needed								



ETA USA

16170 Vineyard Blvd. Suite 180, Morgan Hill, CA 95037
Phone: 1-800-ETA-POWR, (408) 778-2793 Fax: (408) 779-2753

Visit us at: www.eta-usa.com
email at: sales@eta-usa.com



ETA-USA

HIGH QUALITY SWITCHING POWER SUPPLIES

Environmental Specification	
Operating Temperature*3	0 to +50 °C
Derating Curve	Not available
Operating Humidity	30~85[%RH] (non-condensing)
Storage Temperature	-20 to +85°C
Storage Humidity	10~85%/RH (non-condensing)
Withstanding Voltage	Primary-Secondary AC3,000V for 10minute Primary-Frame Ground AC2,500V for 10minute Secondary-Frame Ground AC500V for 10minute *Sensory Current: P-S, P-FG, S-FG (10mA)]
Isolation Resistance	Primary-Secondary-Frame Ground 50MΩ(minimum) by DC500V insulation tester
Vibration	5~10Hz: 10mm XYZ Axis. 10~55Hz:19.6 m/ s ² XYZ Axis.
Shock	294 m/s ² on x,y,z axis
Cooling	Convection
Leakage current	1mA max at 25°C
Environmental Agencies	
Line Conducted Noise [EMI]	FCC Part 15 class B, VDE0871 Class B compliant
Line Harmonic Distortion/Current	No information available
Safety	Built to meet UL 60950-1, CSA60950-1, EN60950-1, CE
Function/Protection	
Over current Protection	Current limiting device
Over voltage Protection	Overvoltage clamp on V1
Short circuit Protection	No information
Remote Sense	Not available
Remote Control	Not available
Series Operation	No information available
Parallel Operation	No information available
Input Fuse	No information available
MTBF [H]	600,000
Mechanical	
Dimension [mm]	60W × 110L × 37H
Weight [g] (typical)	170g

Conditions:

- *1 Rated input and Rated output
- *2 at Output current quick change 25% to 75%
- *3 At 100% load (convection cooling)



ETA USA
16170 Vineyard Blvd. Suite 180, Morgan Hill, CA 95037
Phone: 1-800-ETA-POWR, (408) 778-2793 Fax: (408) 779-2753

Visit us at: www.eta-usa.com
email at: sales@eta-usa.com

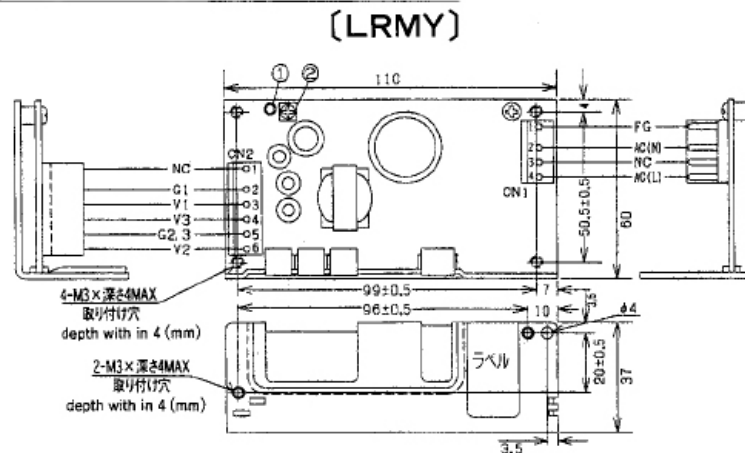


ETA-USA

HIGH QUALITY SWITCHING POWER SUPPLIES

DIMENSIONS

■外形寸法 Dimension in mm



(メーカー：モレックス)
maker MOLEX

入出力コネクタ mounted connector	適合ハウジング(コンタクト) applied housing (contact)
入力 CN1 input	5289-4A
出力 CN2 output	5289-6A
	2390V4 (5167)
	5199-04 (5194)
	2390V6 (5167)
	5199-06 (5194)

- ① 出力電圧確認用 LED (V1)
- ② 出力電圧調整用 VR (V1)
- ※ V1とV2,V3は絶縁されています

★オプション option

- 適合ハウジング・コンタクト applied housing & contact
- ワイヤーハーネス(リード長 40cm) Wire harness (lead Wire 40cm)

※(備考) 当社は非洗浄タイプのフラックスを使用しております。
(Note) Non Activated Resin Flux is used for Soldering on P.C.B.



ETA USA

16170 Vineyard Blvd. Suite 180, Morgan Hill, CA 95037
Phone: 1-800-ETA-POWR, (408) 778-2793 Fax: (408) 779-2753

Visit us at: www.eta-usa.com
email at: sales@eta-usa.com



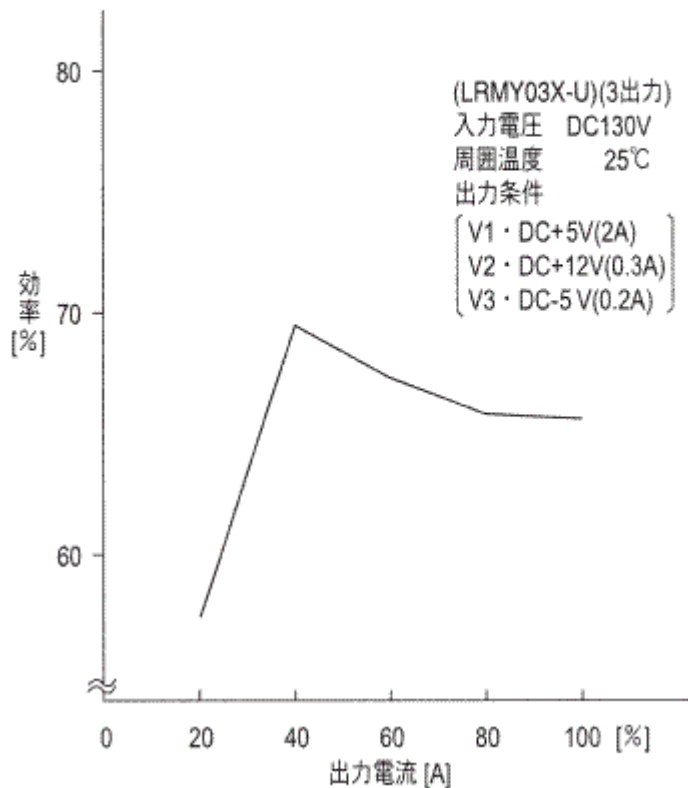
ETA-USA

HIGH QUALITY SWITCHING POWER SUPPLIES

EFFICIENCY DIAGRAM

■ 出力電流と効率

(LRMY03X-U)





ETA-USA

HIGH QUALITY SWITCHING POWER SUPPLIES

Block Diagram

