

ZCK-1, ZCK-1E, ZCK-1EG, ZCK-1EN and ZCK-50

Zonecheck Keyswitch for Control and Monitoring of the Zonecheck Flow Switch Tester

Electrical Specifications

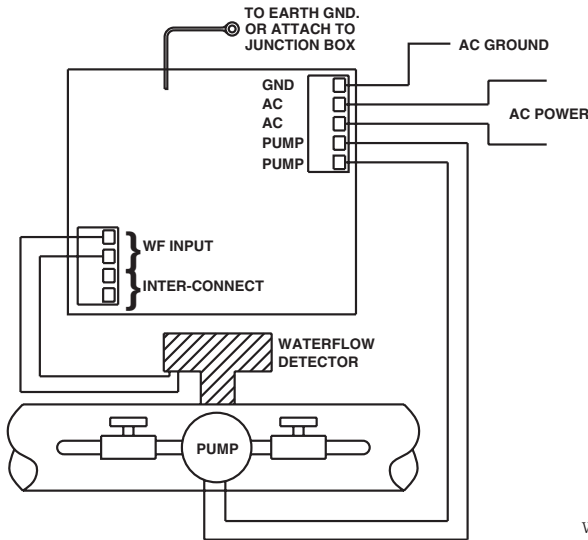
Operating Voltage:	ZCK-1: 120V, 60Hz; ZCK-1E, ZCK-1EG, ZCK-1EN and ZCK-50: 220VAC, 50Hz, 3w Max.
Operating Temperature:	0°C to 49°C (32°F to 120°F)
Operating Humidity:	5% to 95% RH (non-condensing)
Mounting Options:	Includes back box for surface or flush mounting. For pre-wiring, use a 4 ¹¹ / ₁₆ " x 4 ¹¹ / ₁₆ " back box
Operation Modes:	Self-test: Wired locally Group test: Interconnected
LED Operation:	Ready state: No LED Test initiation: Green LED Flow switch activation: Red LED (ZCK-1), Green LED (ZCK-1E, ZCK-1EG, ZCK-1EN and ZCK-50)

Tested to EN 61010-1



If this product is not used as specified, it may become impaired.

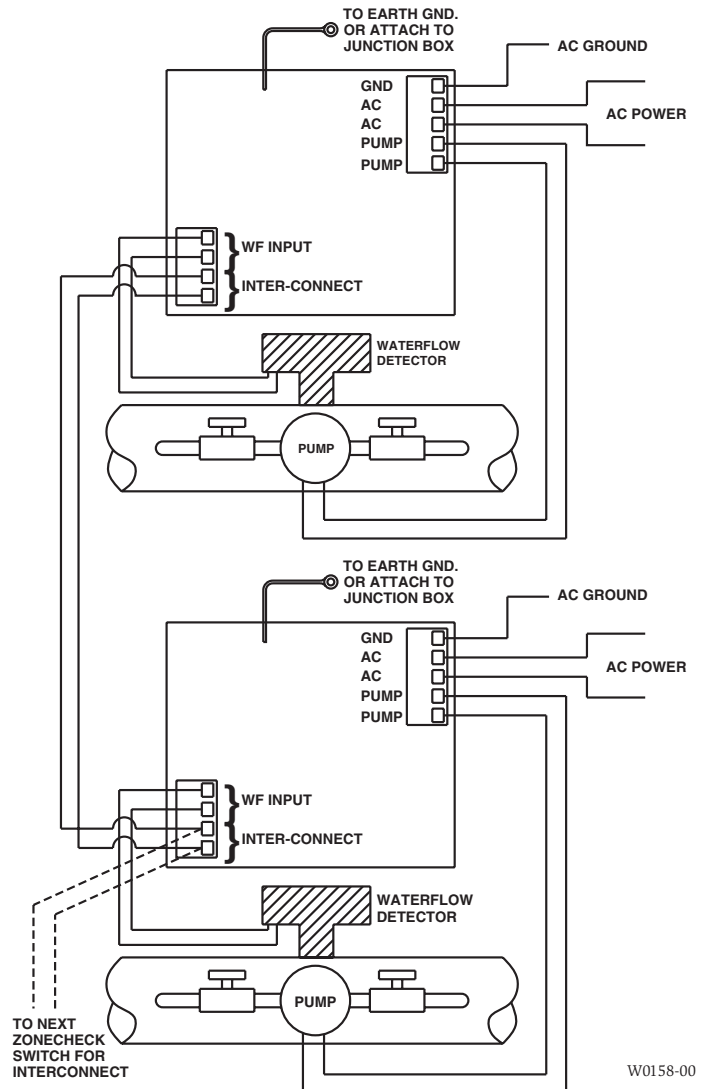
WIRING DIAGRAM FOR STAND ALONE APPLICATION



NOTE: WF input not required for keyswitch operation if waterflow detector is connected to panel or other monitoring device.

AC power and pump wiring must conform to NEC or your local codes.

FOR INTERCONNECTING MULTIPLE ZONECHECK UNITS



ZCK-1E, ZCK-1EG, ZCK-1EN and ZCK-50

If the pump used in this application is grounded, it must share the same input/output earth ground as the device.

An overcurrent protection device such as a switch or circuit breaker is required. The protection device must be clearly marked and have a maximum rating of 16 A.

There are no ventilation requirements.

Pre-operation Guidelines

Contact central monitoring station or appropriate fire safety personnel prior to testing Zonecheck.



Only activate the Zonecheck key switch when the valves are opened and the sprinkler system is full.

Zonecheck Testing: Self-Test Mode

ZCK-1

To activate the Zonecheck wired locally to the key switch insert key and turn to the right. The green LED will illuminate to show that the pump has been activated. The red LED will illuminate once the waterflow detector has been activated.

NOTE: The red LED will not illuminate if the waterflow detector is not wired to the key switch. When testing has been completed, turn the key back to the standby position.

ZCK-1E, ZCK-1EG, ZCK-1EN and ZCK-50

To activate the Zonecheck wired locally to the key switch insert key and turn to the right. Green LEDs will illuminate when either the pump or the waterflow detector are activated.

NOTE: The LED for the waterflow detector will not illuminate if the detector is not wired to the key switch. When testing has been completed, turn the key back to the standby position.

Zonecheck Testing: Group-Test Mode

All Zonecheck systems whose key switches are interconnected (refer to interconnecting wiring diagram), may be activated from any key switch. To initiate the group test, insert key and turn to the left.

The LEDs on the key switch used to initiate the group test indicate the activity for the Zonecheck unit and waterflow detector connected to that key switch only.

When testing has been completed, turn the key back to the standby position.

Please refer to insert for the Limitations of Fire Alarm Systems

Three-Year Limited Warranty

System Sensor warrants its enclosed product to be free from defects in materials and workmanship under normal use and service for a period of three years from date of manufacture. System Sensor makes no other express warranty for the enclosed product. No agent, representative, dealer, or employee of the Company has the authority to increase or alter the obligations or limitations of this Warranty. The Company's obligation of this Warranty shall be limited to the replacement of any part of the product which is found to be defective in materials or workmanship under normal use and service during the three year period commencing with the date of manufacture. After phoning System Sensor's toll free number 800-SENSOR2 (736-7672) for a Return Authorization number, send defective units postage prepaid to: System Sensor, Returns

Department, RA # _____, 3825 Ohio Avenue, St. Charles, IL 60174. Please include a note describing the malfunction and suspected cause of failure. The Company shall not be obligated to replace units which are found to be defective because of damage, unreasonable use, modifications, or alterations occurring after the date of manufacture. In no case shall the Company be liable for any consequential or incidental damages for breach of this or any other Warranty, expressed or implied whatsoever, even if the loss or damage is caused by the Company's negligence or fault. Some states do not allow the exclusion or limitation of incidental or consequential damages, so the above limitation or exclusion may not apply to you. This Warranty gives you specific legal rights, and you may also have other rights which vary from state to state.