

Description: IceFin Mounting kit

Series: Accessory

PART NUMBER: ICEFIN-IB; ICEFIN-F; ICEFIN-GP

Frame

(P/N: ICEFIN-F)



Ground Plane

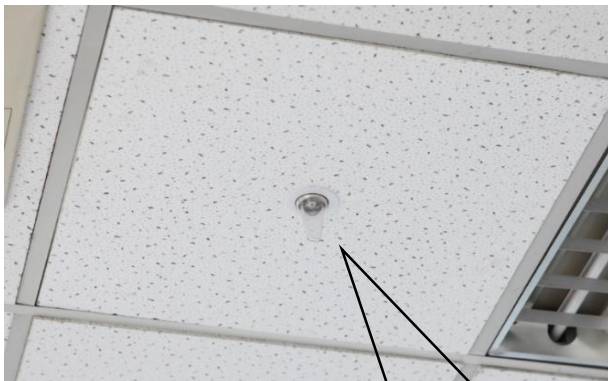
(P/N: ICEFIN-GP)



Features:

- 400mm diameter Aluminum ground plane
- White Plastic Frame
- M4x12 self tapping screws

Finished Appearance:



Applications:

- Ceiling tile mounting kit
- Applicable for Pulse antennas:
 - SLPTXXX
 - SLPTXXXW
 - ICEFINXXX

Issue: 1715

In the effort to improve our products, we reserve the right to make changes judged to be necessary.

CONFIDENTIAL AND PROPRIETARY INFORMATION

This document contains confidential and proprietary information of Pulse Electronics, Inc. (Pulse) and is protected by copyright, trade secret and other state and federal laws. Its receipt or possession does not convey any rights to reproduce, disclose its contents, or to manufacture, use or sell anything it may describe. Reproduction, disclosure or use without specific written authorization of Pulse is strictly forbidden.

For more information:

Pulse Worldwide Headquarters
15255 Innovation Drive #100
San Diego, CA 92128
USA
Tel: 1-858-674-8100

Pulse/Larsen Antennas
18110 SE 34th St Bldg 2 Suite 250
Vancouver, WA 98683
USA
Tel: 1-360-944-7551

Europe Headquarters
Pulse GmbH & Do, KG
Zeppelinstrasse 15
Herrenberg, Germany
Tel: 49 7032 7806 0

Pulse (Suzhou) Wireless Products Co, Inc.
99 Huo Ju Road(#29 Bldg,4th Phase
Suzhou New District
Jiangsu Province, Suzhou 215009 PR China
Tel: 86 512 6807 9998



Description: IceFin Mounting kit

Series: Accessory

PART NUMBER: ICEFIN-IB; ICEFIN-F; ICEFIN-GP

MECHANICAL SPECIFICATIONS

Weight:

ICEFIN-F	10 g
ICEFIN-GP	333.5 g
ICEFIN-IB	343.5 g

P.S.: ICEFIN-IB including 2pcs M4x12 Screws, 1pcs plastic frame and 1pcs Φ 400mm Ground Plane.

And ICEFIN-IB can also be sold separately as ICEFIN-F and ICEFIN-GP.

ICEFIN-F

ICEFIN-GP



Accessory	Seperated P.N.	Parts
ICEFIN-IB	ICEFIN-F	2pcs M4x12 Self-Tapping Screws
		1pcs Plastic Frame
	ICEFIN-GP	1pcs Φ 400x1mm Ground Plane

ENVIRONMENTAL SPECIFICATIONS

Operating Temperature	-40 ~ 85° C
Storage Temperature	-40 ~ 85° C
RoHS Compliant	Yes

Issue: 1715

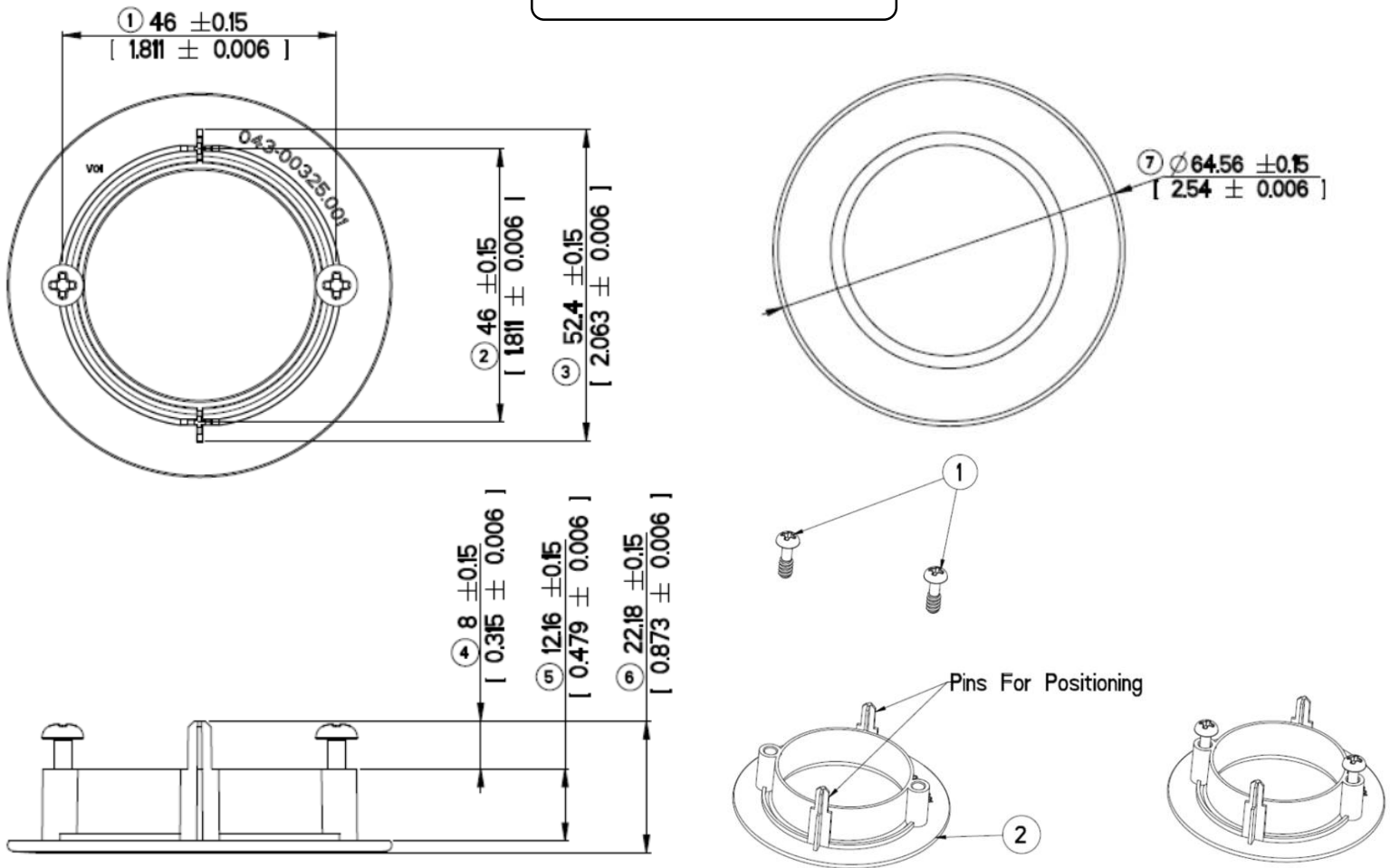
In the effort to improve our products, we reserve the right to make changes judged to be necessary.

CONFIDENTIAL AND PROPRIETARY INFORMATION

This document contains confidential and proprietary information of Pulse Electronics, Inc. (Pulse) and is protected by copyright, trade secret and other state and federal laws. Its receipt or possession does not convey any rights to reproduce, disclose its contents, or to manufacture, use or sell anything it may describe. Reproduction, disclosure or use without specific written authorization of Pulse is strictly forbidden.

MECHANICAL DRAWING

ICEFIN-F



Item	Description	Q'ty	Remark
1	Self-tapping Screw, M4X12	2	Pan Head, Philips drive
2	Plastic Frame	1	PC, White color

Issue: 1715

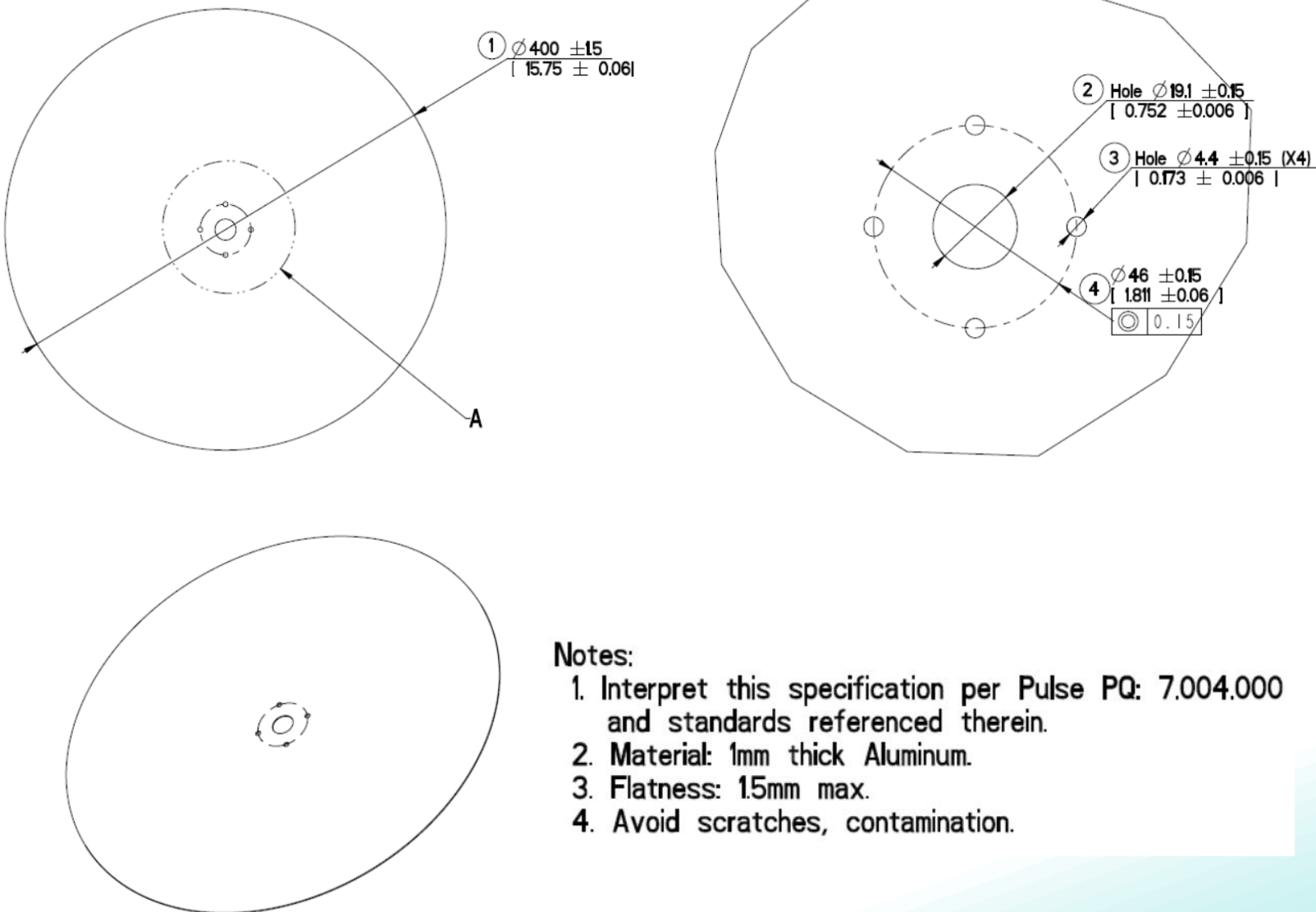
In the effort to improve our products, we reserve the right to make changes judged to be necessary.

CONFIDENTIAL AND PROPRIETARY INFORMATION

This document contains confidential and proprietary information of Pulse Electronics, Inc. (Pulse) and is protected by copyright, trade secret and other state and federal laws. Its receipt or possession does not convey any rights to reproduce, disclose its contents, or to manufacture, use or sell anything it may describe. Reproduction, disclosure or use without specific written authorization of Pulse is strictly forbidden.

MECHANICAL DRAWING

ICEFIN-GP

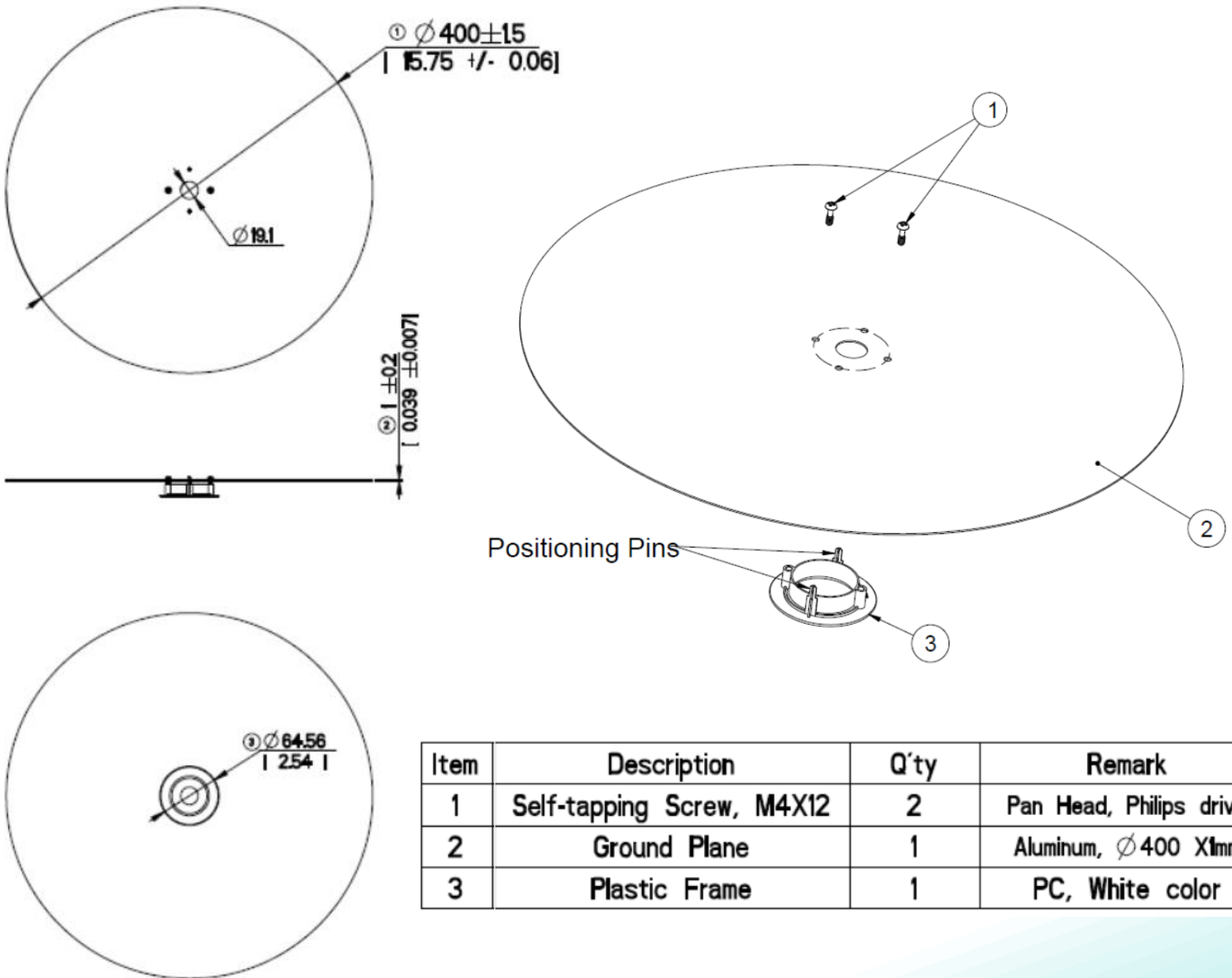


Notes:

1. Interpret this specification per Pulse PQ: 7.004.000 and standards referenced therein.
2. Material: 1mm thick Aluminum.
3. Flatness: 15mm max.
4. Avoid scratches, contamination.

MECHANICAL DRAWING

ICEFIN-IB



Item	Description	Q'ty	Remark
1	Self-tapping Screw, M4X12	2	Pan Head, Philips drive
2	Ground Plane	1	Aluminum, ϕ 400 X1mm
3	Plastic Frame	1	PC, White color

Issue: 1715

In the effort to improve our products, we reserve the right to make changes judged to be necessary.

CONFIDENTIAL AND PROPRIETARY INFORMATION

This document contains confidential and proprietary information of Pulse Electronics, Inc. (Pulse) and is protected by copyright, trade secret and other state and federal laws. Its receipt or possession does not convey any rights to reproduce, disclose its contents, or to manufacture, use or sell anything it may describe. Reproduction, disclosure or use without specific written authorization of Pulse is strictly forbidden.

Description: IceFin Mounting kit

Series: Accessory

PART NUMBER: ICEFIN-IB; ICEFIN-F; ICEFIN-GP

PACKAGING

ICEFIN-F: Each ICEFIN-F packed in a plastic “Zip” bag,
200 plastic bags of ICEFIN-F packed in a carton

ICEFIN-GP: 20pcs / Carton

ICEFIN-IB: 20pcs / Carton

Issue: 1715

In the effort to improve our products, we reserve the right to make changes judged to be necessary.

CONFIDENTIAL AND PROPRIETARY INFORMATION

This document contains confidential and proprietary information of Pulse Electronics, Inc. (Pulse) and is protected by copyright, trade secret and other state and federal laws. Its receipt or possession does not convey any rights to reproduce, disclose its contents, or to manufacture, use or sell anything it may describe. Reproduction, disclosure or use without specific written authorization of Pulse is strictly forbidden.

Installation Instruction

INSTALLATION:

This accessory is used to allow Pulse SLPTXXX (Black Version), SLPTXXXW (White Version) and ICEFINXXX (Clarity Version) antennas to be installed on the ceiling tile in building.



Installation Instruction

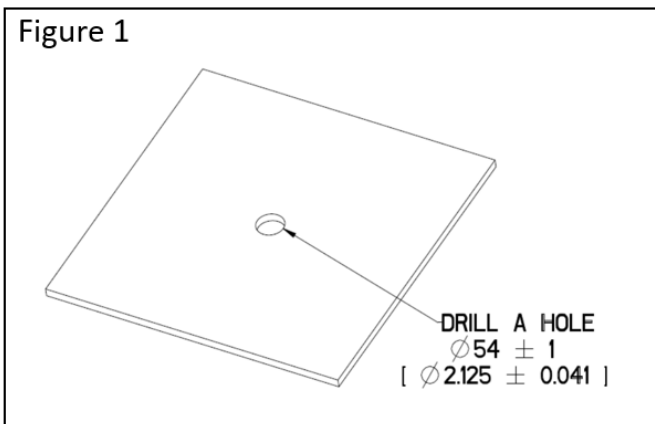
Step 1,

Drill or cut out a $\Phi 54\text{mm} \pm 1\text{mm}$ [$\Phi 2.125'' \pm 0.041''$] hole in the ceiling tile for the installation.

See Figure 1.

Ceiling Tile thickness range:

12.7mm~ 17.5mm or 1/2''~ 11/16''

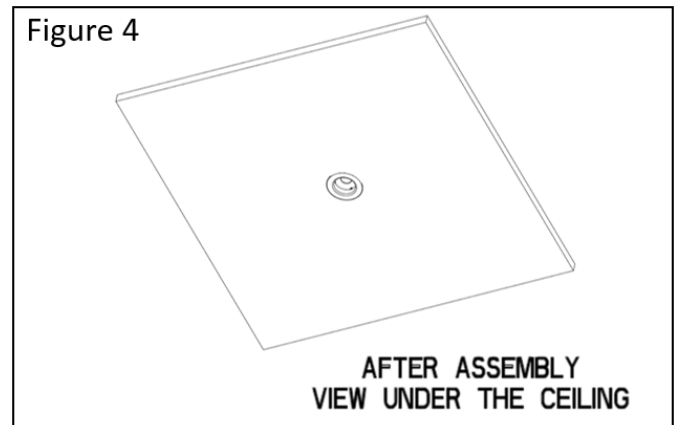
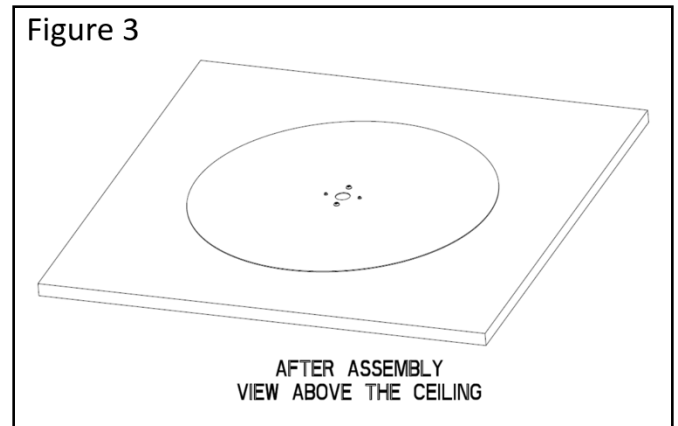
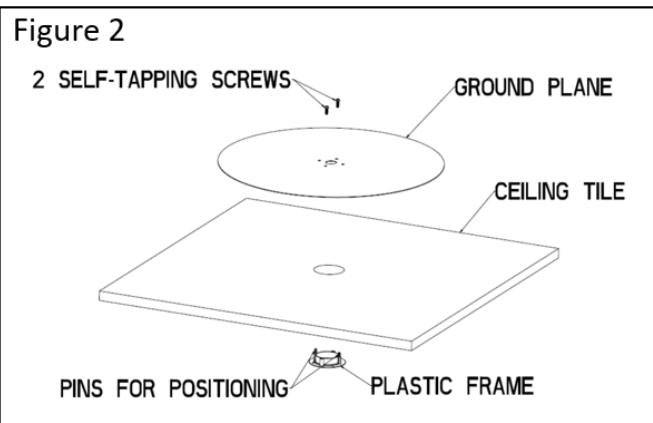


Step 2,

Assemble the ICEFIN-IB accessory on the ceiling tile by tightening the screws until snug.

See Figure 2, 3 and 4.

Screw Driver type: PHILIPS DRIVE



ICEFIN-IB including 2pcs M4x12 Screws, 1pcs plastic frame and 1pcs $\Phi 400\text{mm}$ Ground Plane.

And ICEFIN-IB can also be sold separately as ICEFIN-F and ICEFIN-GP.

Accessory	Seperated P.N.	Parts
ICEFIN-IB	ICEFIN-F	2pcs M4x12 Self-Tapping Screws 1pcs Plastic Frame
	ICEFIN-GP	1pcs $\Phi 400\text{x}1\text{mm}$ Ground Plane

needed to be necessary.

electronics, Inc. (Pulse) and is protected by copyright, trade secret and other state and federal laws. contents, or to manufacture, use or sell anything it may describe. Reproduction, disclosure or

