

# Series 80 "Mighty Mouse" Backshells, Boots and Clamps



## EMI Backshells



**380MS135**

EMI backshells feature an EMI ring for easy shield termination.

**Straight Entry** backshells are available with direct coupling or rotatable coupling.

**45° and 90°** adapters feature rotatable coupling nuts.

### MATERIALS

Adapter, Clamp, Nut and Saddles	Aluminum Alloy 6061-T6 or 300 Series Stainless Steel
O-Rings	Silicone Rubber
Hardware	300 Series Stainless Steel

### HOW TO ORDER

Sample Part Number

**380MS137**

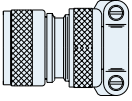
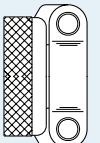
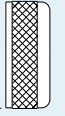
**M**

**07**

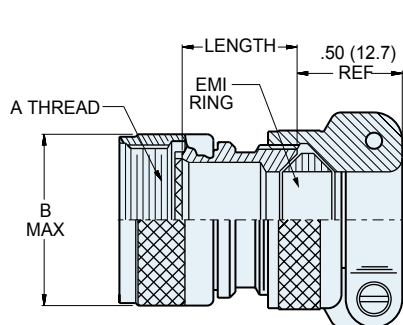
**04-**

**6**

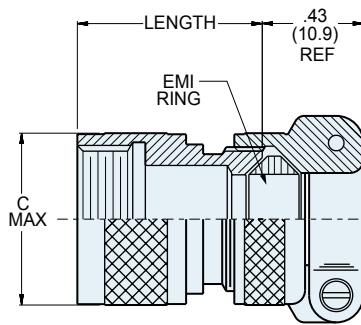
**N**

Part Number	Shell Material / Finish	Size Code		Cable Entry Code		Length		Clamp Style
		Size Code	Thread Size	Cable Entry Code	Saddle Clamp Dia. Fully Closed	Length Code	Length (Inches)	
 <b>380MS137</b> Straight Entry, Rotatable Coupling	<p><b>M</b> Aluminum / Electroless Nickel</p> <p><b>NF</b> Aluminum / Cadmium with Olive Drab Chromate</p> <p><b>ZN</b> Aluminum / Zinc-Nickel with Olive Drab Chromate</p> <p><b>ZNU</b> Aluminum / Zinc-Nickel with Black Chromate</p> <p><b>Z1</b> Stainless Steel / Passivated</p>	<b>05</b>	.2500-32	<b>01-</b>	.11	Straight Entry 380MS Only		 Omit for screw clamp with saddle bars   <b>N</b> Optional Compression Nut, Low Profile
		<b>06</b>	.3125-32	<b>02-</b>	.17	<b>5</b>	.625	
		<b>11</b>	.3750-32	<b>03-</b>	.23	<b>6</b>	.750	
		<b>07</b>	.4375-28	<b>04-</b>	.30	<b>7</b>	.875	
		<b>08</b>	.5000-28	<b>05-</b>	.36	<b>8</b>	1.000	
		<b>09</b>	.5625-24	<b>06-</b>	.42	<b>9</b>	1.125	
		<b>10</b>	.6250-24	<b>07-</b>	.48	<b>10</b>	1.250	
		<b>12</b>	.6875-24	<b>08-</b>	.55	<b>11</b>	1.375	
		<b>13</b>	.7500-20	<b>09-</b>	.61	<b>12</b>	1.500	
		<b>14</b>	.9375-20			<b>13</b>	1.625	
						<b>14</b>	1.750	
						<b>15</b>	1.875	
						<b>16</b>	2.000	
						<b>17</b>	2.125	
				<b>18</b>	2.250			
				<b>19</b>	2.375			
				<b>20</b>	2.500			
				Specify length in increments of .125 inches (3.18 mm.)				

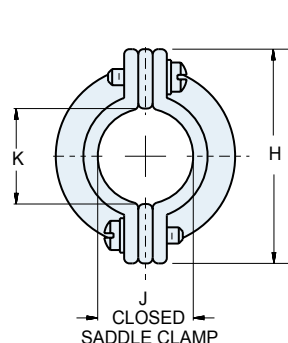
## EMI Backshells



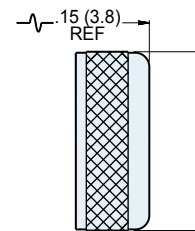
STRAIGHT ENTRY  
ROTATABLE COUPLING  
380MS137



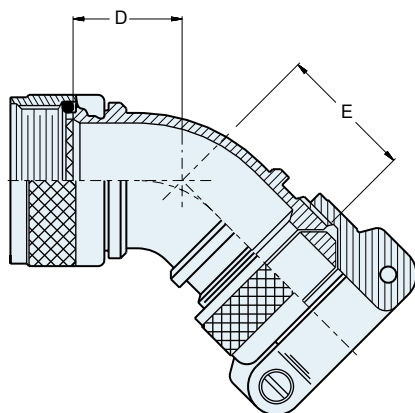
STRAIGHT ENTRY  
DIRECT COUPLING  
380MS135



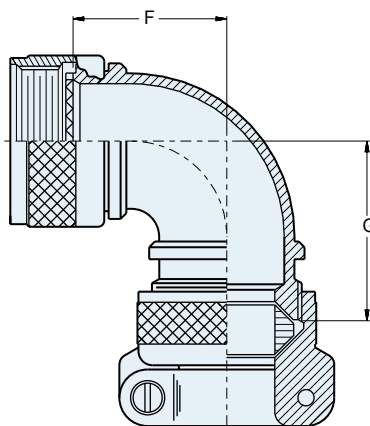
CLOSED  
SADDLE CLAMP



CLAMP STYLE N  
COMPRESSION NUT



45° ENTRY  
ROTATABLE COUPLING  
380MB137



90° ENTRY  
ROTATABLE COUPLING  
380MA137

### DIMENSIONS

Size Code	A Thds.	B Max.		C Max.		Std. Length*	
		In.	mm.	In.	mm.	In.	mm.
05	2500-32	.470	11.94	.350	8.89	.750	19.05
06	3125-32	.530	13.46	.415	10.54	.750	19.05
11	3750-32	.570	14.48	.465	11.68	.750	19.05
07	4375-28	.637	16.18	.530	13.46	.750	19.05
08	5000-28	.700	17.78	.595	15.11	.750	19.05
09	5625-24	.758	19.25	.650	16.51	.750	19.05
10	6250-24	.819	20.80	.715	18.16	.750	19.05
12	6875-24	.896	22.76	.785	19.94	.880	22.35
13	7500-20	.930	23.62	.830	21.08	.880	22.35
14	9375-20	1.137	28.88	1.020	25.91	1.000	25.40

\*Choose standard length for best availability

### DIMENSIONS

Cable Entry Code	D Max.		E Max.		F Max.		G Max.		H		Ø J Closed		Ø K		Ø L	
	In.	mm.	In.	mm.	In.	mm.	In.	mm.	± .015	± 0.38	In.	mm.	± .015	± 0.38	In.	mm.
01	.603	15.32	.581	14.76	.724	18.39	.702	17.83	.496	12.60	.110	2.79	.119	3.02	.398	10.11
02	.603	15.32	.581	14.76	.724	18.39	.702	17.83	.582	14.78	.170	4.32	.182	4.62	.460	11.68
03	.603	15.32	.581	14.76	.724	18.39	.702	17.83	.656	16.66	.230	5.84	.244	6.20	.523	13.28
04	.629	15.98	.607	15.42	.786	19.96	.764	19.41	.726	18.44	.300	7.62	.307	7.80	.585	14.86
05	.629	15.98	.607	15.42	.786	19.96	.764	19.41	.885	22.48	.360	9.14	.369	9.37	.647	16.43
06	.655	16.64	.633	16.00	.848	21.54	.826	20.98	.952	24.18	.420	10.67	.432	10.97	.710	18.03
07	.655	16.64	.633	16.00	.848	21.54	.826	20.98	1.018	25.86	.480	12.19	.494	12.55	.773	19.63
08	.707	17.96	.685	17.40	.911	23.14	.889	22.58	1.084	27.53	.550	13.97	.557	14.15	.835	21.21
09	.707	17.96	.685	17.40	.911	23.14	.889	22.58	1.148	29.16	.610	15.49	.619	15.72	.897	22.78