

PLEASE CHECK WWW.MOLEX.COM FOR LATEST PART INFORMATION

Part Number: [0673298031](#)

Status: **Active**

Description: Universal Serial Bus (USB) Shielded I/O Receptacle, Type A, Single Upright Right Angle, Solder Tail Length 2.00mm (.079"), 3.25mm (.128") Beveled Metal Pins, PCB Thickness 1.20mm (.045"), 0.76µm (30µ") Gold (Au) Plating, Lead Free

Documents:

[3D Model](#)

[Drawing \(PDF\)](#)

[RoHS Certificate of Compliance \(PDF\)](#)

Agency Certification

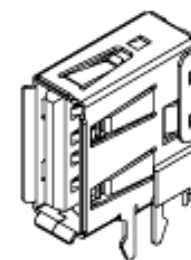
UL E29179

General

Product Family	I/O Connectors
Series	67329
Application	Wire-to-Board
Comments	Standard Mount Type Beveled Metal Pin Length: 3.25mm (.128")
Component Type	Receptacle
Product Name	USB
Type	A

Physical

Boot Color	N/A
Circuits (Loaded)	4
Circuits (maximum)	4
Flammability	94V-0
Gender	Receptacle
Lock to Mating Part	Yes
Material - Plating Mating	Gold
Material - Plating Termination	Tin
Number of Rows	4
Orientation	Upright
PC Tail Length (in)	0.079 In
PC Tail Length (mm)	2.00 mm
PCB Locator	Yes
PCB Retention	Yes
PCB Thickness Recommended (in)	0.047 In
PCB Thickness Recommended (mm)	1.20 mm
Packaging Type	Tray
Panel Mount	No
Pitch - Mating Interface (in)	0.000 In
Pitch - Mating Interface (mm)	0.00 mm
Pitch - Term. Interface (in)	0.055 In
Pitch - Term. Interface (mm)	1.40 mm
Plating min: Mating (µin)	30
Plating min: Mating (µm)	0.76
Plating min: Termination (µin)	100
Plating min: Termination (µm)	2.5
Polarized to Mating Part	Yes
Polarized to PCB	Yes
Ports	1
Surface Mount Compatible (SMC)	Yes
Termination Interface: Style	Through Hole
Waterproof / Dustproof	No



Series

image - Reference only

EU RoHS

**ELV and RoHS
Compliant**

REACH SVHC

Not Reviewed

Halogen-Free

Status

Not Reviewed

China RoHS



**Need more information on product
environmental compliance?**

Email productcompliance@molex.com
For a multiple part number RoHS Certificate of
Compliance, [click here](#)

Please visit the [Contact Us](#) section for any
non-product compliance questions.

Search Parts in this Series

[67329Series](#)

Mates With

USB Type A Plug

Electrical

Current - Maximum per Contact

1A

Shield Type

Full Shield

Shielded

Yes

Material Info**Reference - Drawing Numbers**

Sales Drawing

SD-67329-808

This document was generated on 03/31/2010

PLEASE CHECK WWW.MOLEX.COM FOR LATEST PART INFORMATION

10 9 8 7 6 5 4 3 2 1

NOTES :

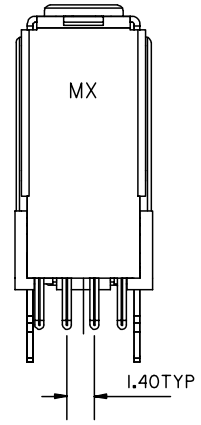
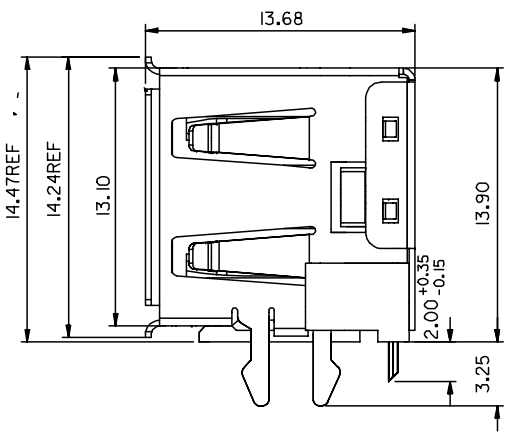
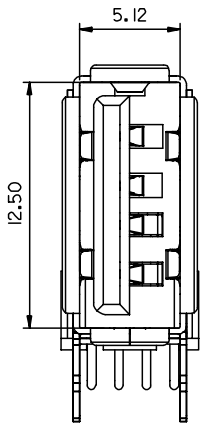
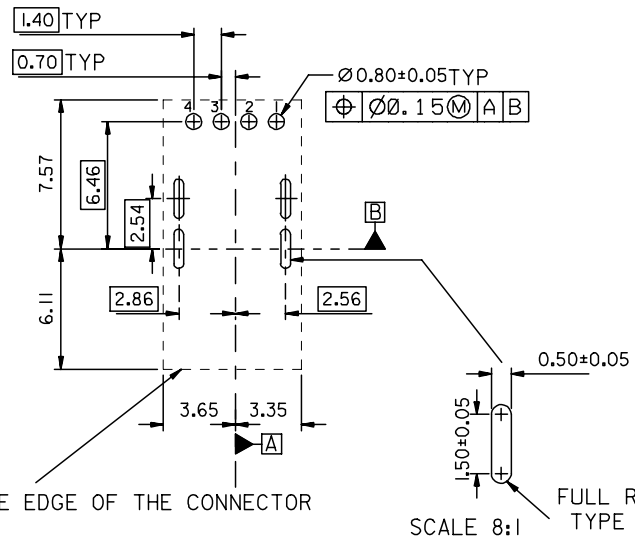
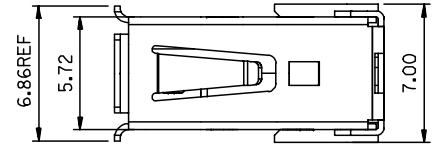
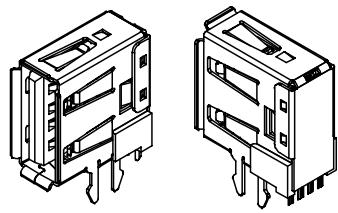
1. MATERIAL :

HOUSING : HIGH TEMPERTURE NYLON ,GLASS FIBER, UL94-V0 , COLOR: BLACK
 TERMINAL : PHOSPHOR BRONZE(PhBr), C5100 EH, PER ES-I24-EI08
 METAL SHELL : COPPER ALLOY

2. PLATING :

TERMINAL :
 CONTACT AREA : (a) GOLD FLASH.
 (b) GL0D (Au), THICKNESS = 30 MICROINCH/0.76 MICROMETER
 SOLDER TAIL : PURE TIN(Sn), THICKNESS= 75 MICROINCH /1.9 MICROMETER
 UNDER PLATE : NICKEL (Ni), THICKNESS= 50 MICROINCH/1.27 MICROMETER
 METAL SHELL :
 PURE TIN(Sn), THICKNESS=50-100MICROINCH /1.27-2.54 MICROMETER.
 UNDER PLATE : NICKEL (Ni), THICKNESS= 50 MICROINCH/1.27 MICROMETER

3 RECOMMENDED PCB THICKNESS : 1.20±0.05 mm.
 4 PRODUCT SPECIFICATION : REFER TO PS-89485
 5 PACKAGING SPECIFICATION : REFER TO PS-67329-001



PART NUMBER LEGEND:

P/N	CONTACT PLATING
67329-8030	GOLD FLASH
67329-8031	0.76 MICROMETER/30 MICROINCH GOLD

NEW RELEASE EC NO: DRWN:HP/IAN CHKD:HARVEY APPR:HWANG	DESCRIPTION REV	QUALITY SYMBOLS ▽=0 △=0	GENERAL TOLERANCES (UNLESS SPECIFIED)		DIMENSION STYLE MM ONLY		SCALE 4:1	DESIGN UNITS METRIC	THIRD ANGLE PROJECTION	
			mm	INCH	DRAWN BY QIANHUIPING	DATE 2005/12/09	TITLE USB A UPRIGHT CONN. FLANGE OUT TYPE WITH FORK LOCK LEAD-FREE			
			4 PLACES ± ---	± ---	CHECKED BY HARVEY	DATE 2005/12/09	MOLEX INCORPORATED			
			3 PLACES ± ---	± ---	APPROVED BY GARY	DATE 2005/12/09	MATERIAL NO. 67329-803*	DOCUMENT NO. SD-67329-808	SHEET NO. 1 OF 1	
		2 PLACES ± 0.15	± ---	DRAFT WHERE APPLICABLE MUST REMAIN WITHIN DIMENSIONS						
		1 PLACE ± 0.15	± ---	SIZE A3 THIS DRAWING CONTAINS INFORMATION THAT IS PROPRIETARY TO MOLEX INCORPORATED AND SHOULD NOT BE USED WITHOUT WRITTEN PERMISSION						
		ANGULAR ± 3 °								

9 8 7 6 5 4 3 2 1