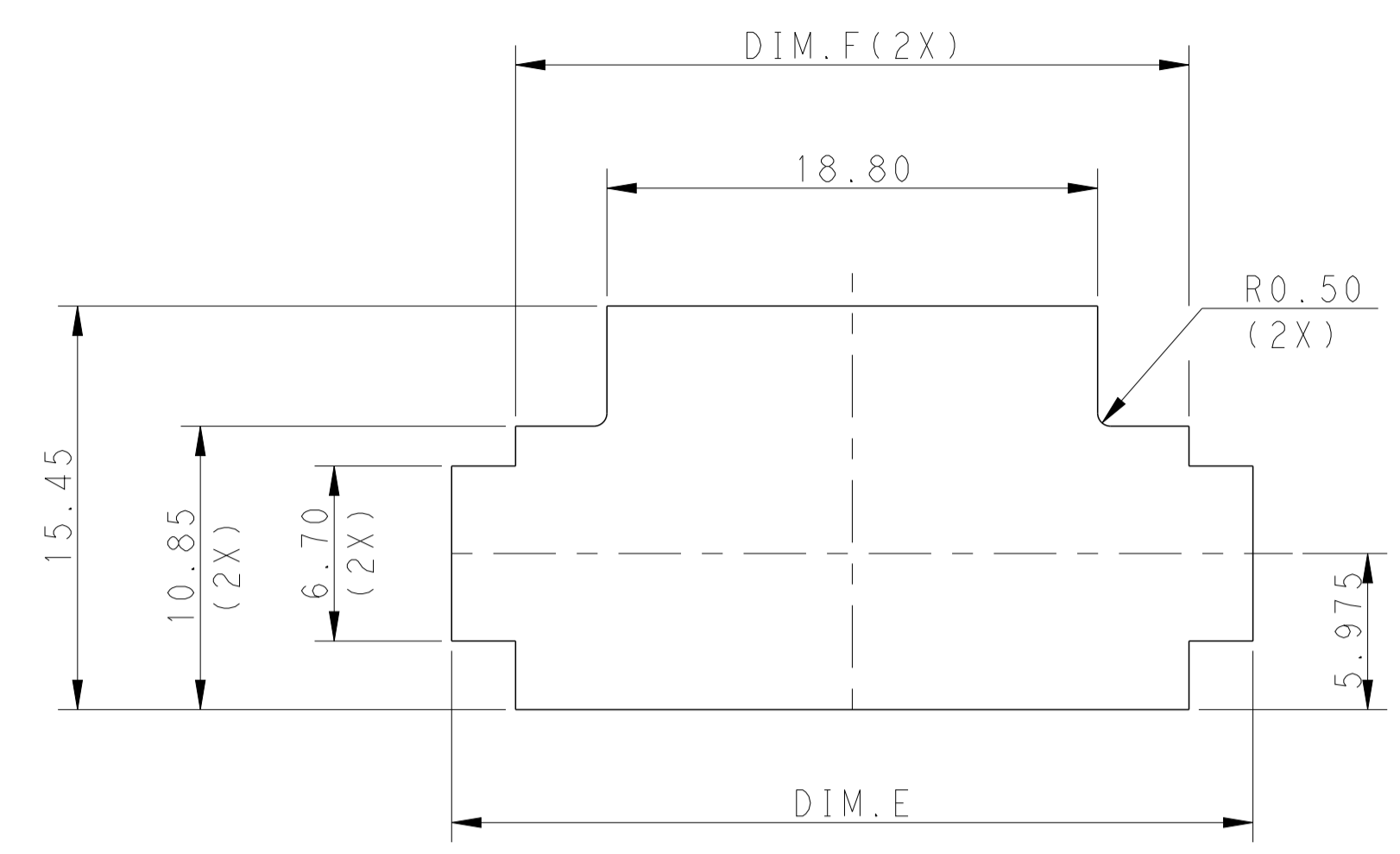
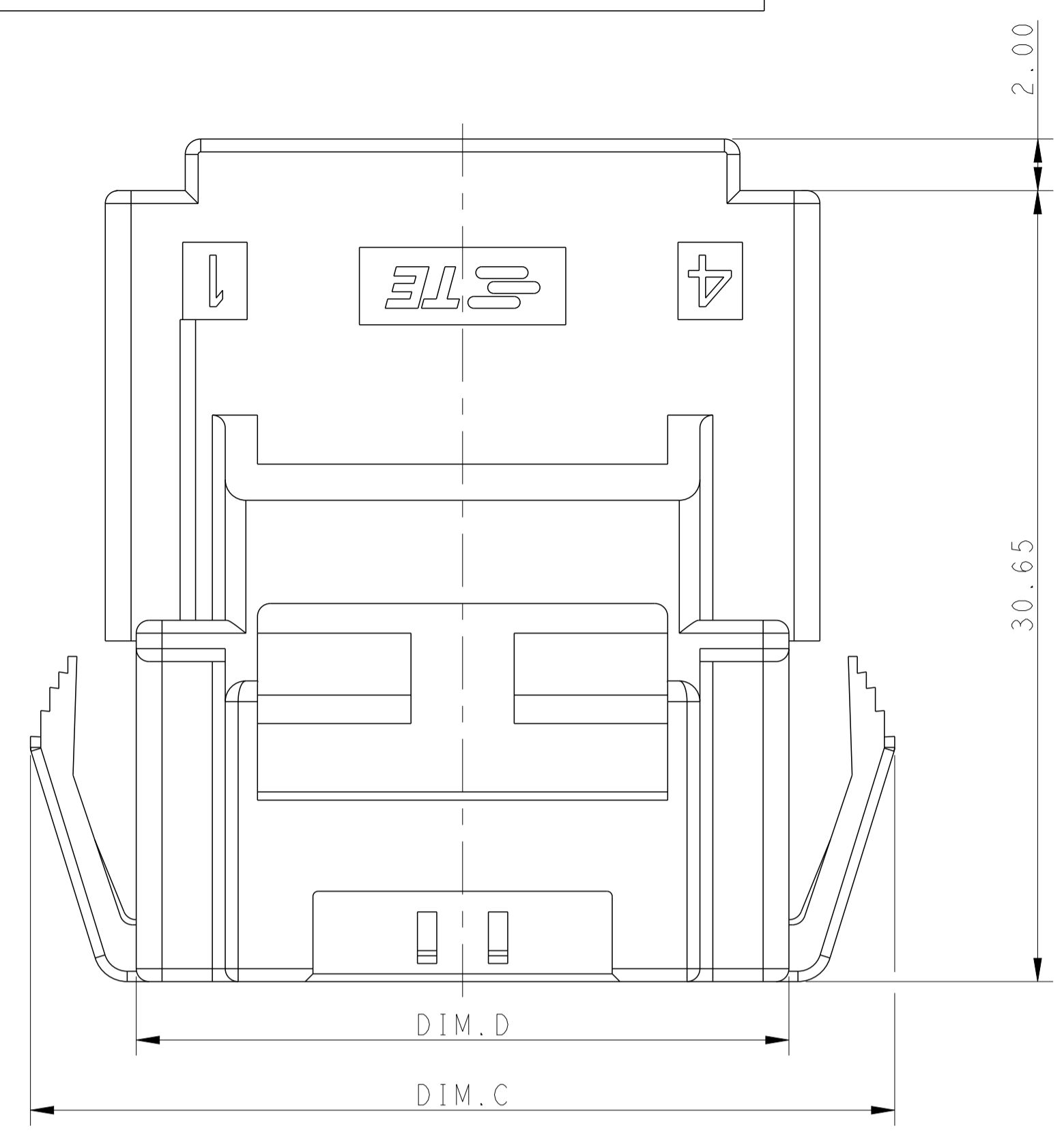
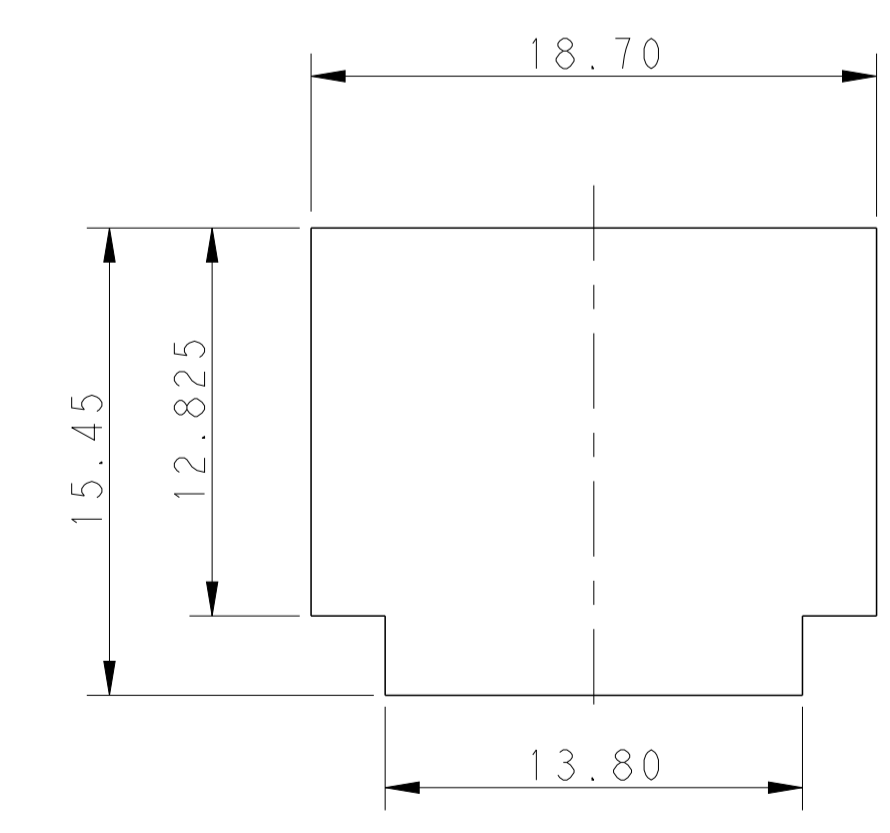
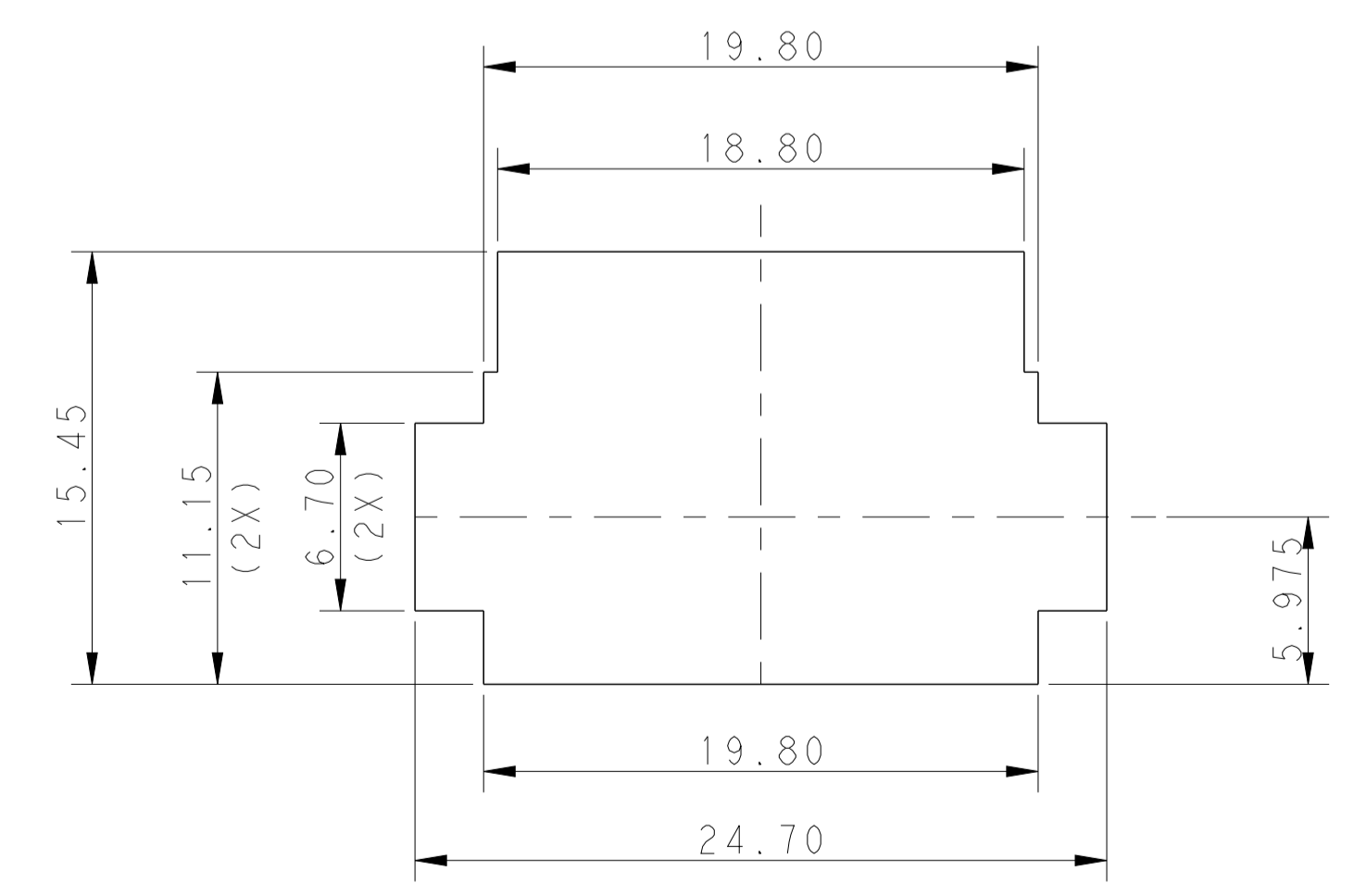
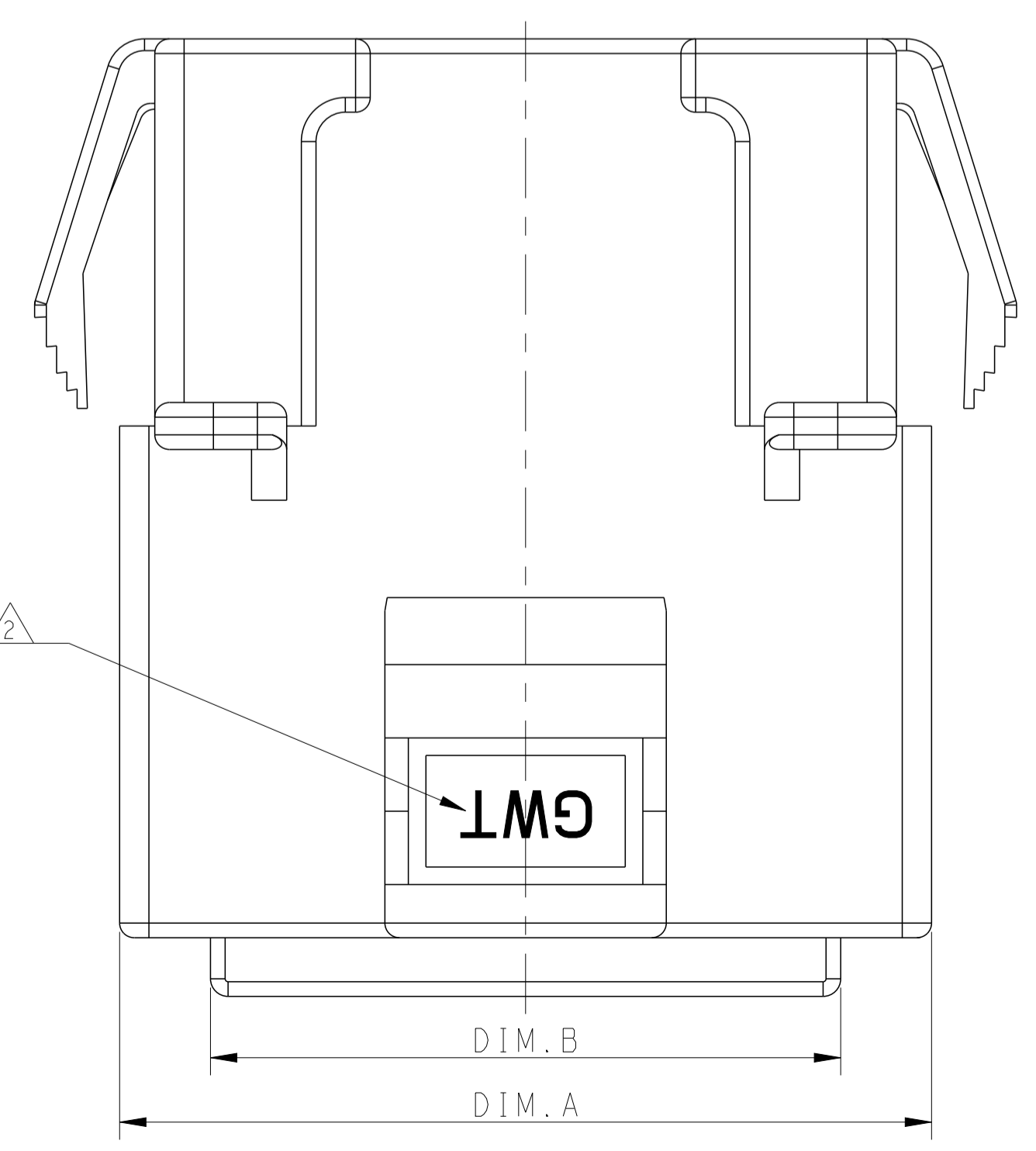
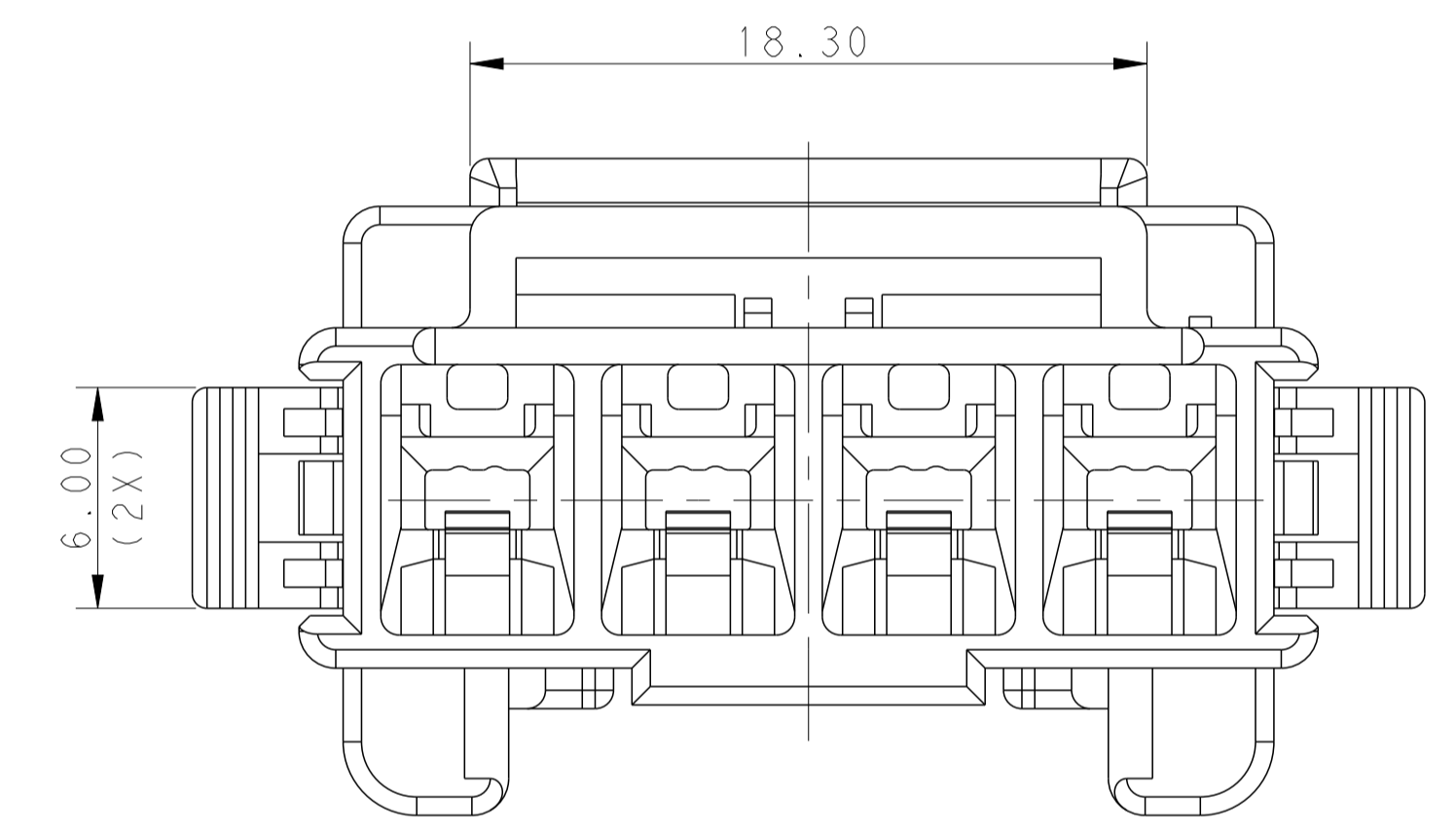
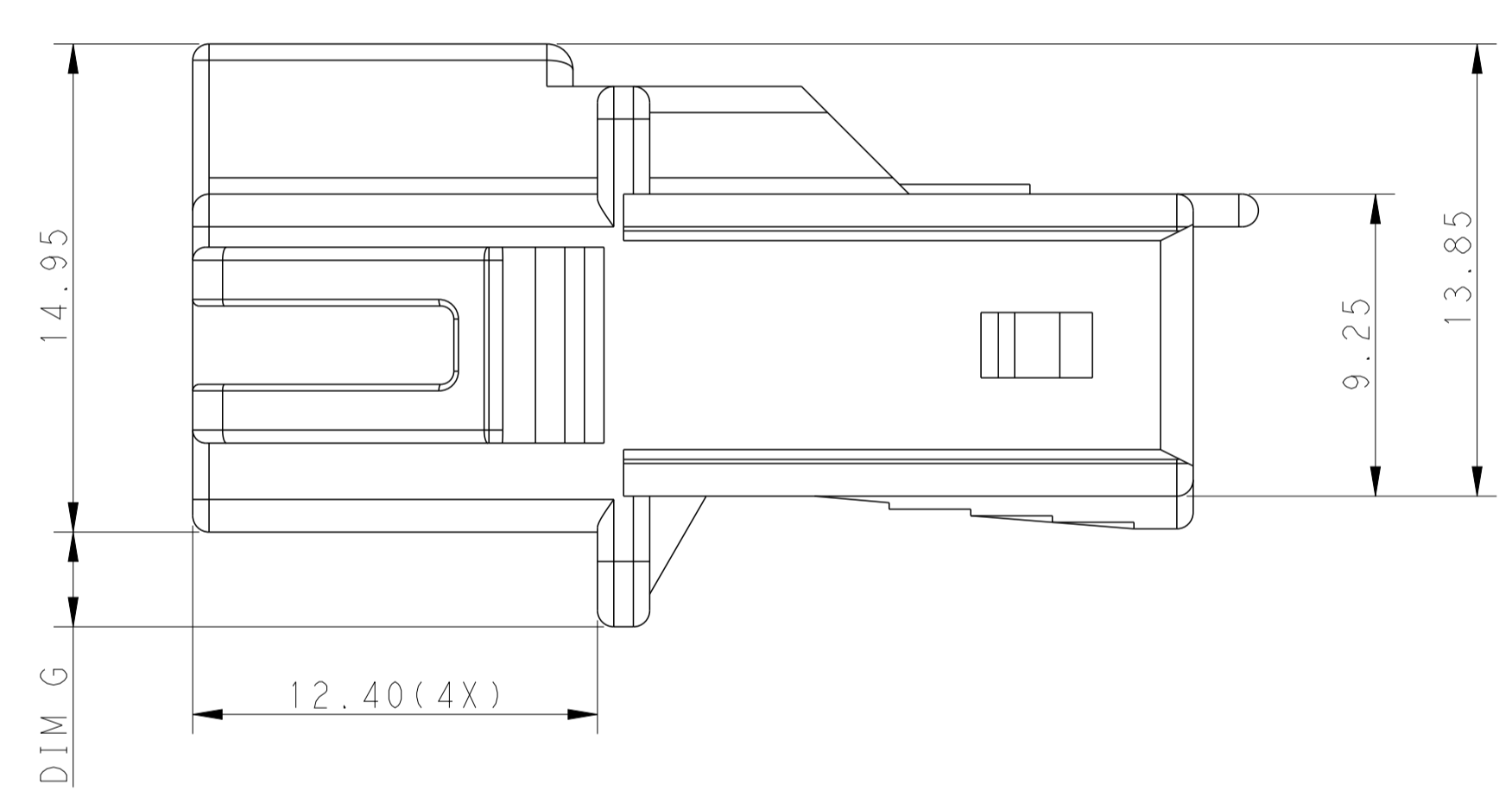
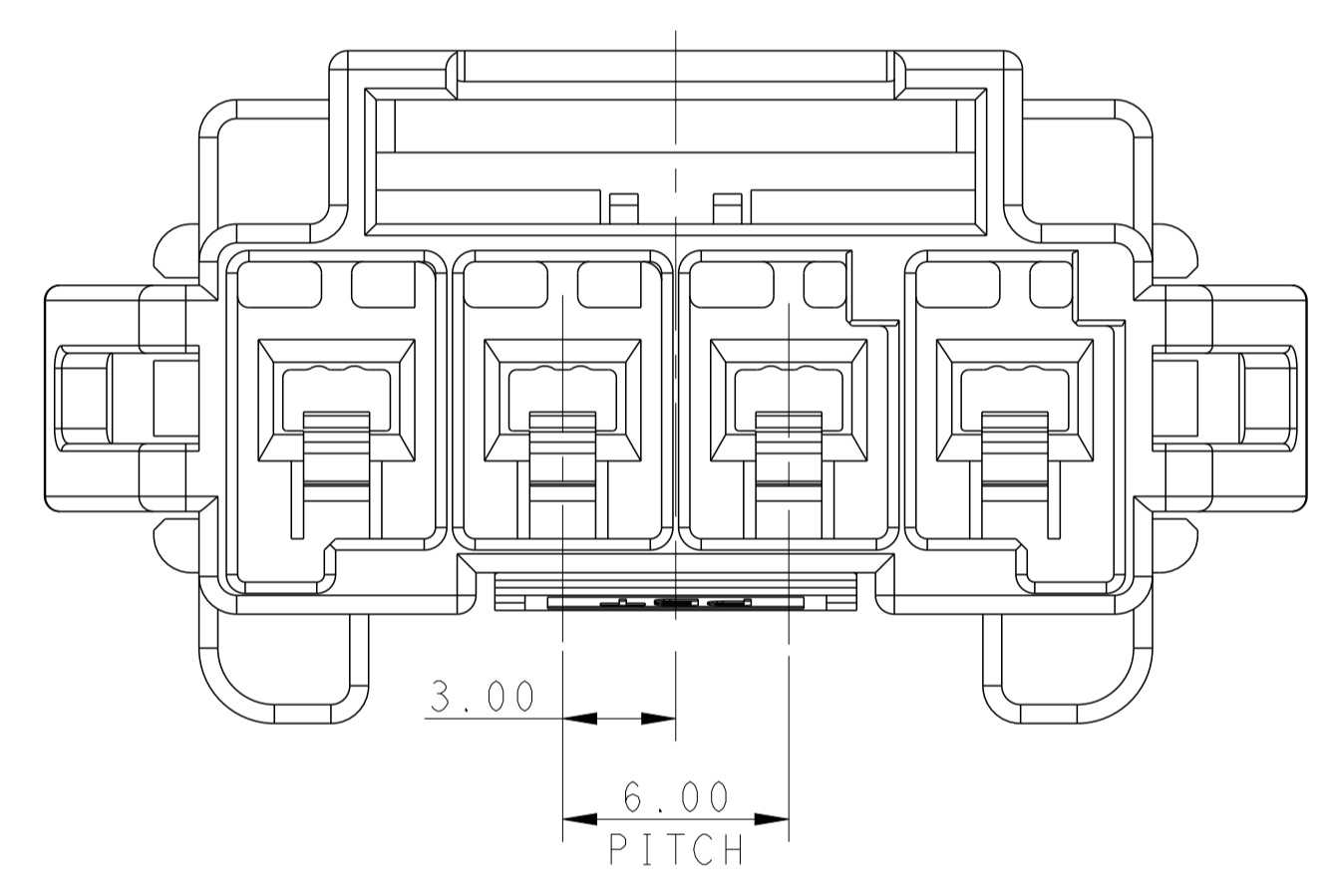


REVISIONS				
P	LTN	DESCRIPTION	DATE	APVD
C		REVISED PER ECR-16-003314	18JUL2016	BW GJ



- △ MATERIAL:
 LEVEL A: PA6 GLASS FILLED, COMPLY WITH GLOW WIRE REQUIREMENTS FOR PARTS OF NON-METALLIC MATERIAL SUPPORTING A CURRENT-CARRYING CONNECTION DETAILED IN IEC 60335-1, SECTION 30 (GWT), UL 94V-0
 LEVEL B: PBT GLASS FILLED, HOT WIRE IGNITION (HWI) VERSION ARE MOLDED IN A RESIN THAT COMPLIES WITH TE HOT WIRE IGNITION TEST 109-32026 AND ARE RECOMMENDED FOR USE WITH HWI HOUSINGS THAT ALSO COMPLY, UL 94V-0
- △ MATERIAL MARK:
 LEVEL A: GWT, LEVEL B: HWT
- APPLICABLE CONTACT P/N
 TAB CONTACT: 1971238/1971780/1971782/1971784/1971786/1971788-*, 2238067-*
 - MATING CONN, P/N
 PLUG HSG: *-2232265-*,
 TPA (LOCK PLATE): *-1971777-*
 - RECOMMENDED PANEL THICKNESS: 1.0~2.0mm

RECOMMENDED PANEL OPENING DIMENSIONS FOR CAP HOUSING 1*5 AND 1*4 POSITIONS (TOLERANCE: ±0.15mm)



RECOMMENDED PANEL OPENING DIMENSIONS FOR CAP HOUSING 1*3 POSITION (TOLERANCE: ±0.15mm)

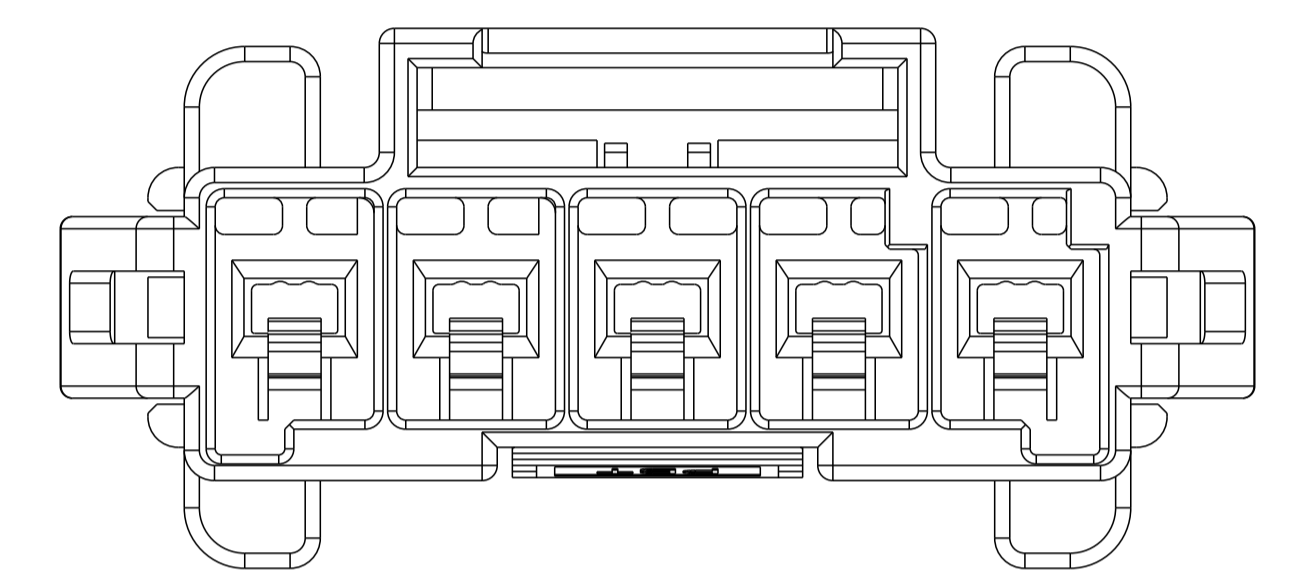
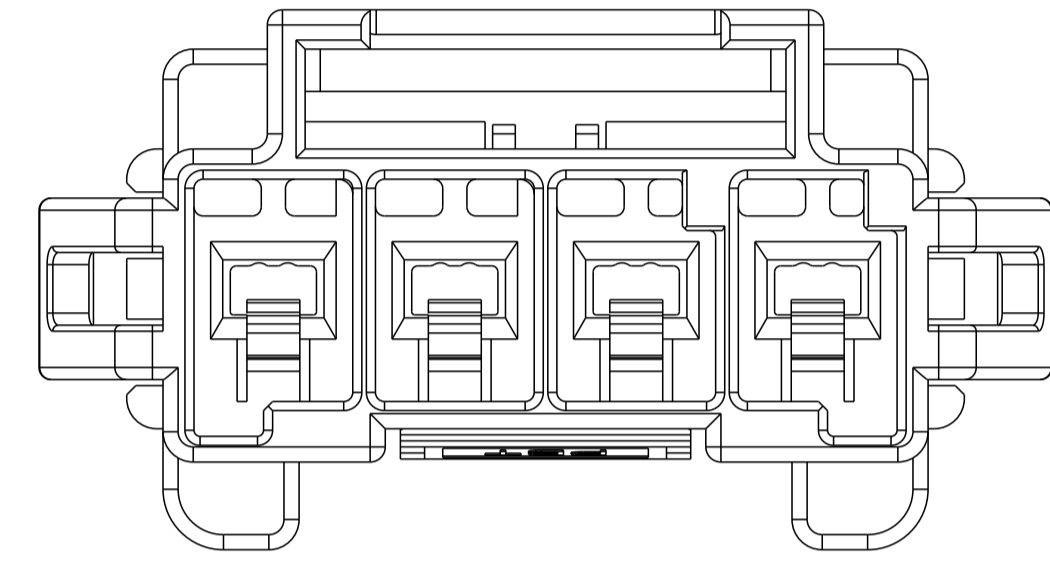
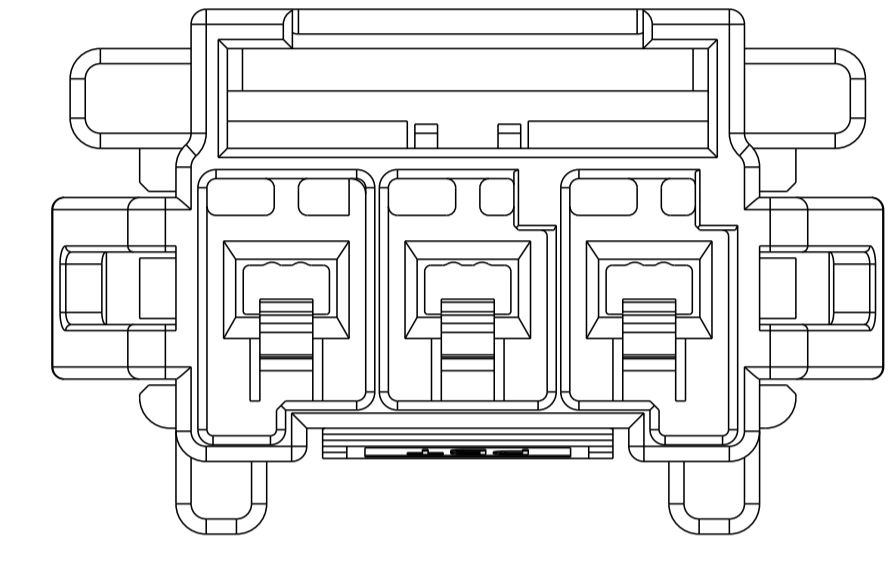
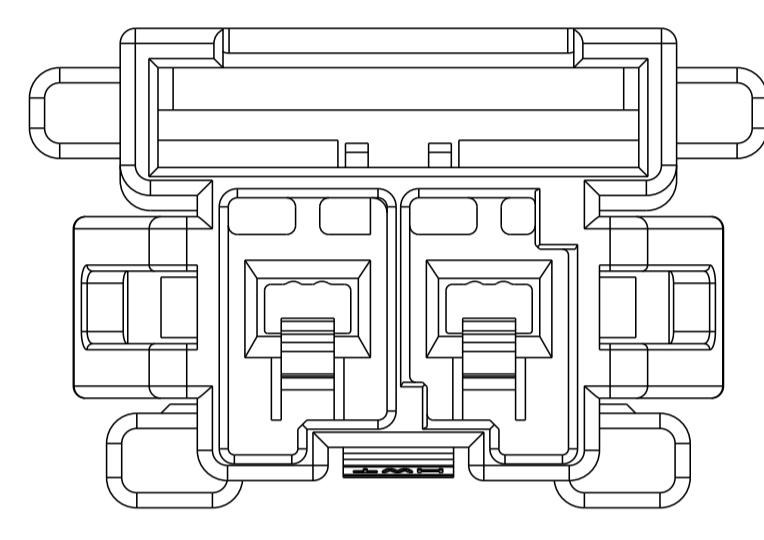
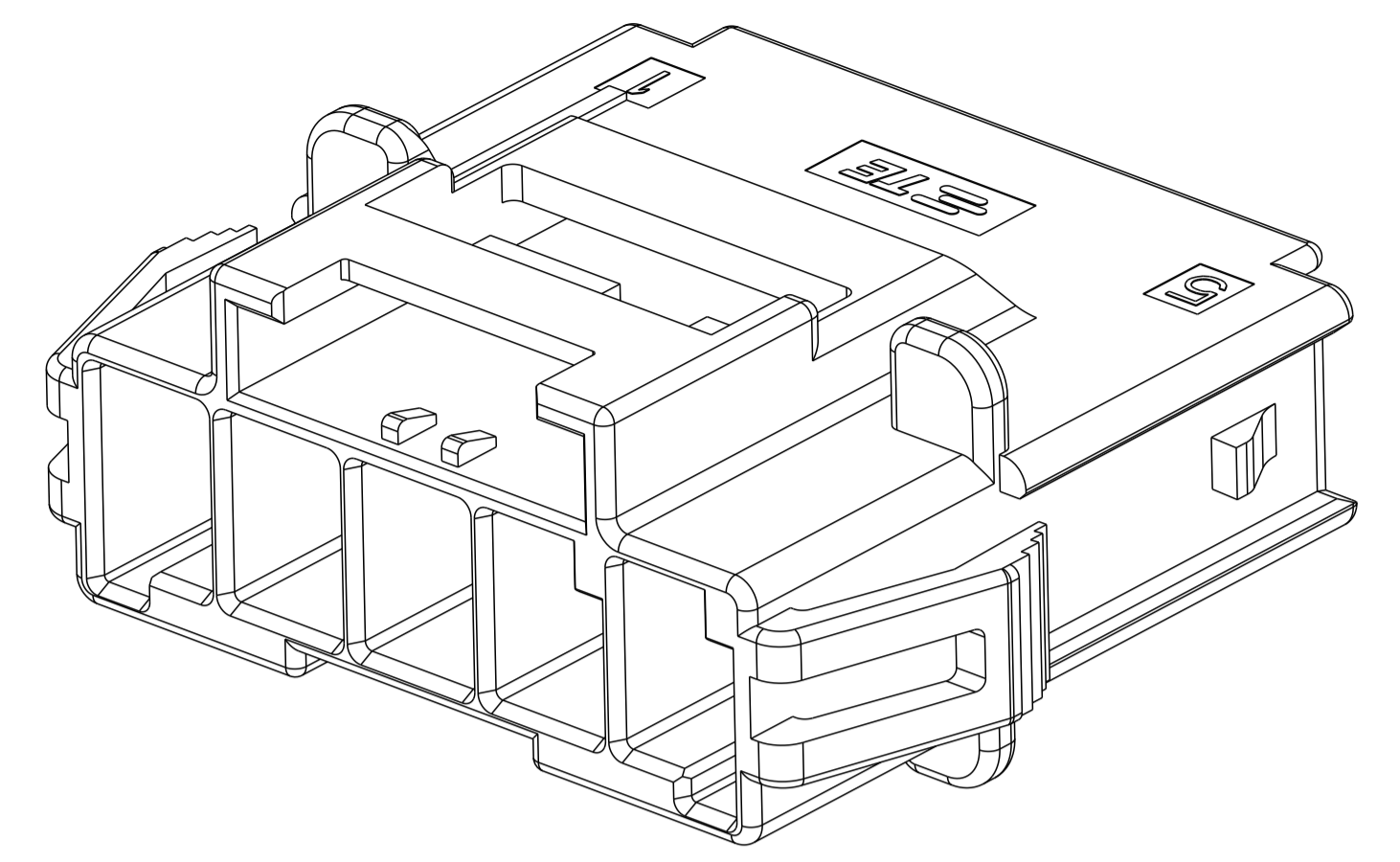
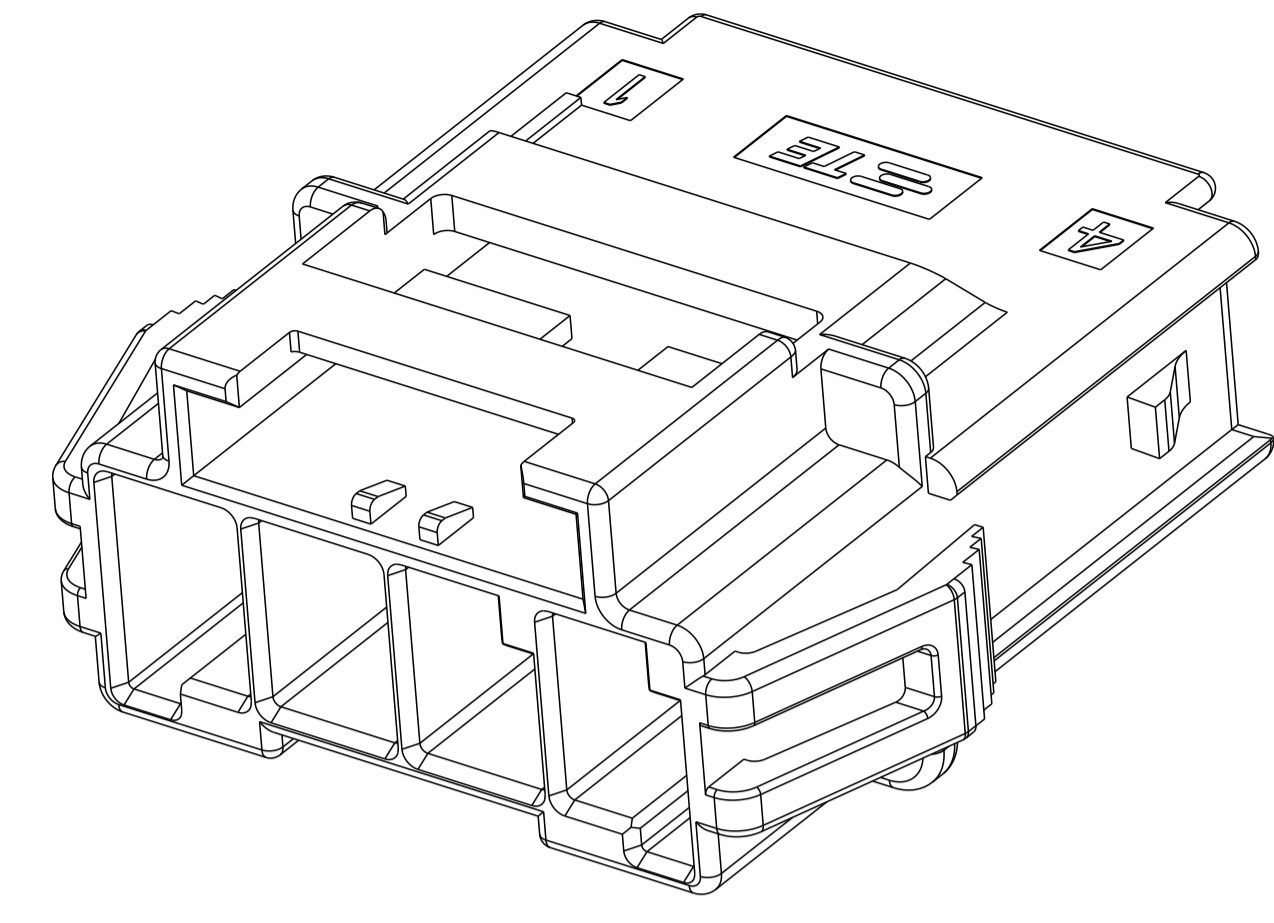
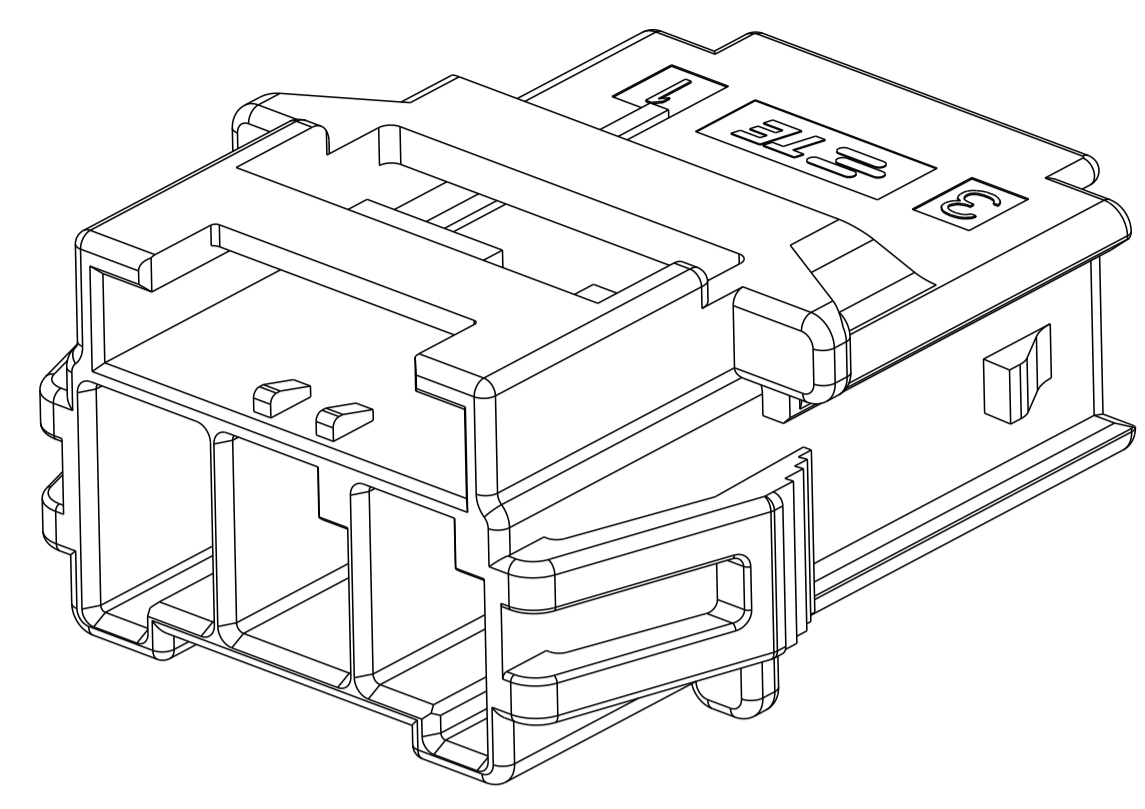
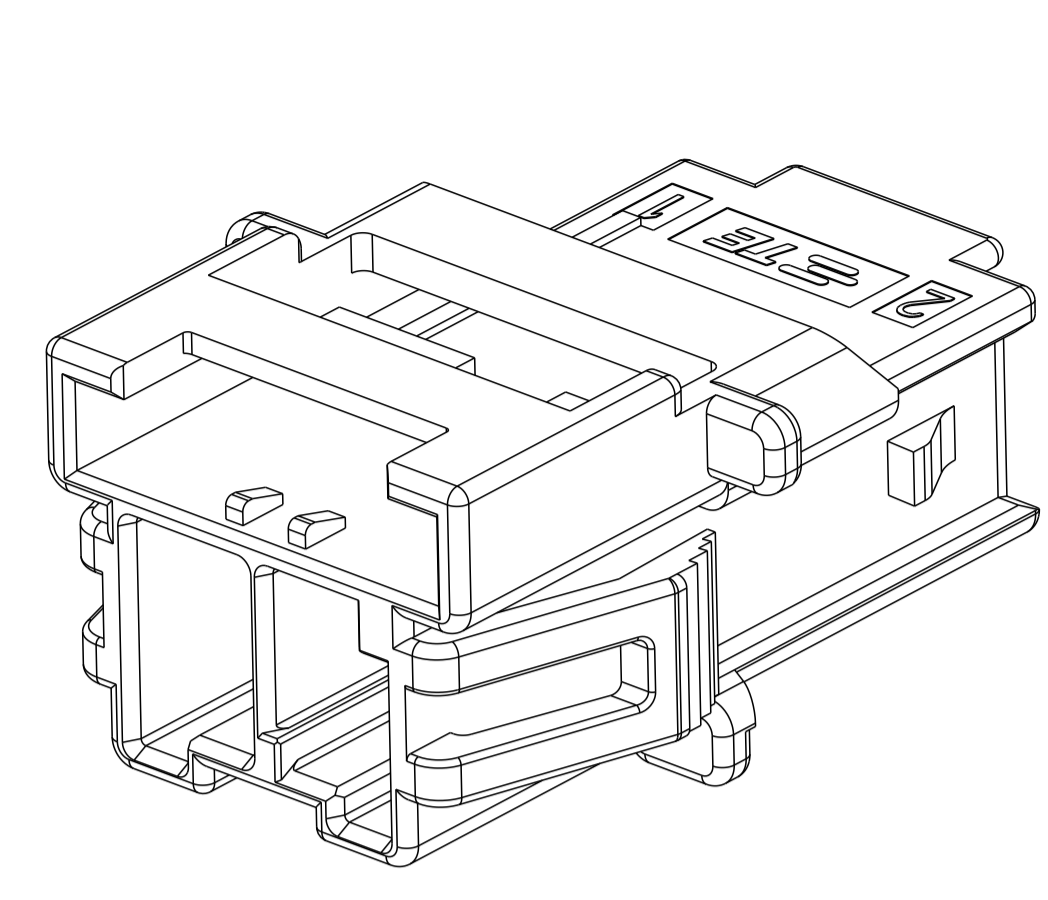
RECOMMENDED PANEL OPENING DIMENSIONS FOR CAP HOUSING 1*2 POSITION (TOLERANCE: ±0.15mm)

POS	Dim. A	Dim. B	Dim. C	Dim. D	Dim. E	Dim. F	Dim. G
1*5	33.70	27.50	39.5	31.30	36.70	31.80	2.9
1*4	27.70	21.50	33.5	25.30	30.70	25.80	2.9
1*3	21.70	15.50	27.5	19.30			2.5
1*2	15.70	9.50	21.5	13.30			1.1

THIS DRAWING IS A CONTROLLED DOCUMENT.

DIMENSIONS:	TOLERANCES UNLESS OTHERWISE SPECIFIED:	DWG: TOMMY WU 26MAR2013	TE Connectivity
mm	0 PLC ±0.35 1 PLC ±0.25 3 PLC ±0.20 4 PLC ±0.15 ANGLES ±°	CHK: HAPYE WU 26MAR2013	
MATERIAL:	FINISH:	APVD: YUHONG MAO 26MAR2013	NAME: CAP HOUSING, PANEL MOUNT, SINGLE ROW POWER TRIPLE LOCK
		PRODUCT SPEC: 108-106118	SIZE: A1
		APPLICATION SPEC: 114-106118	CAGE CODE: 2232263
		WEIGHT:	RESTRICTED TO: -
		Customer Drawing	SCALE: - SHEET 1 OF 2 REV C

REVISIONS				
P.	LTN	DESCRIPTION	DATE	APVD
-	-	SEE SHEET 1	-	-

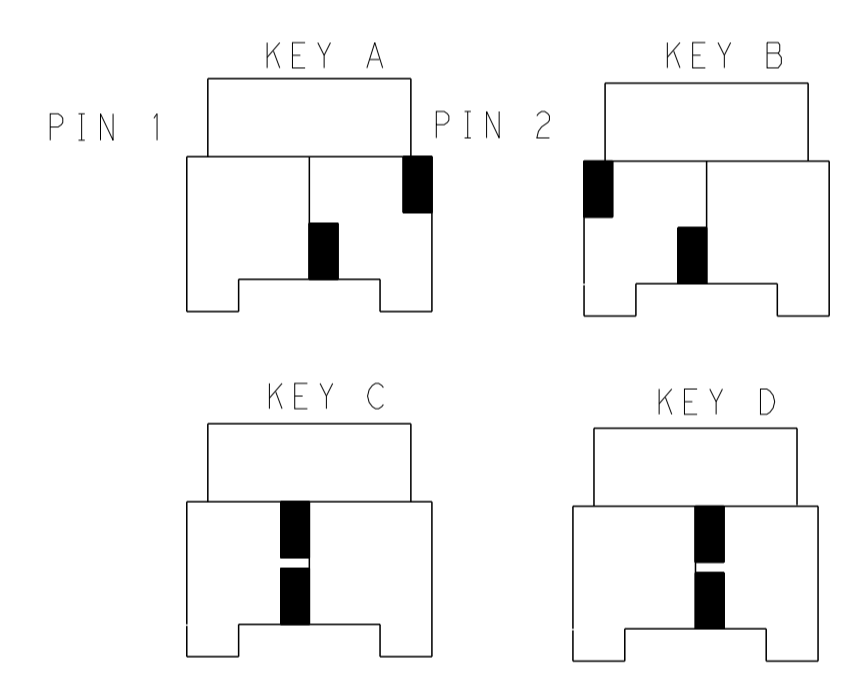


1*2 POSITIONS

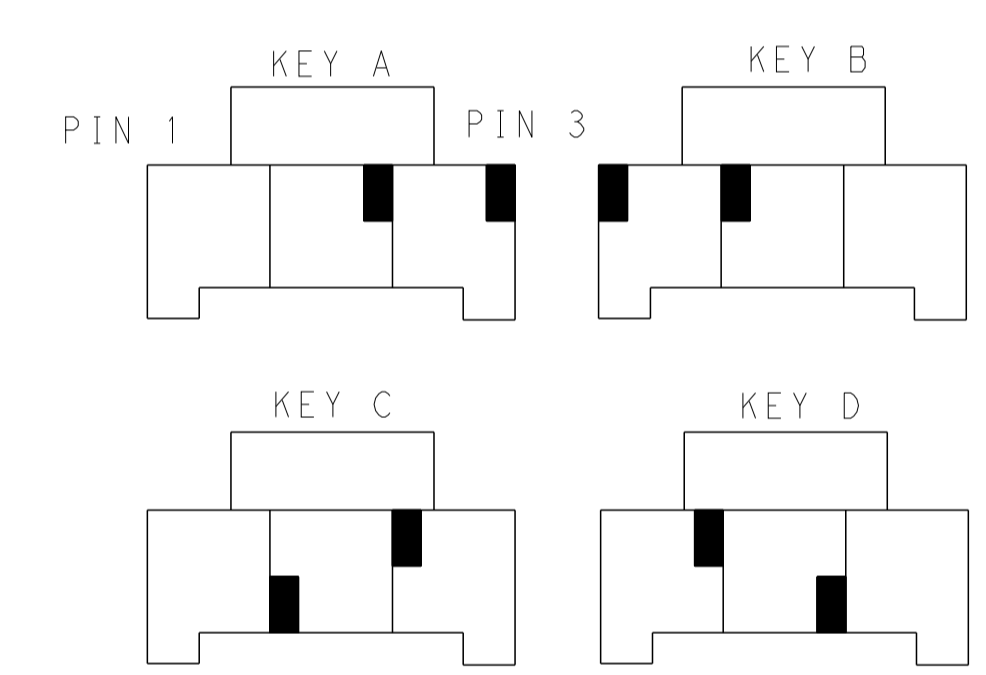
1*3 POSITIONS

1*4 POSITIONS

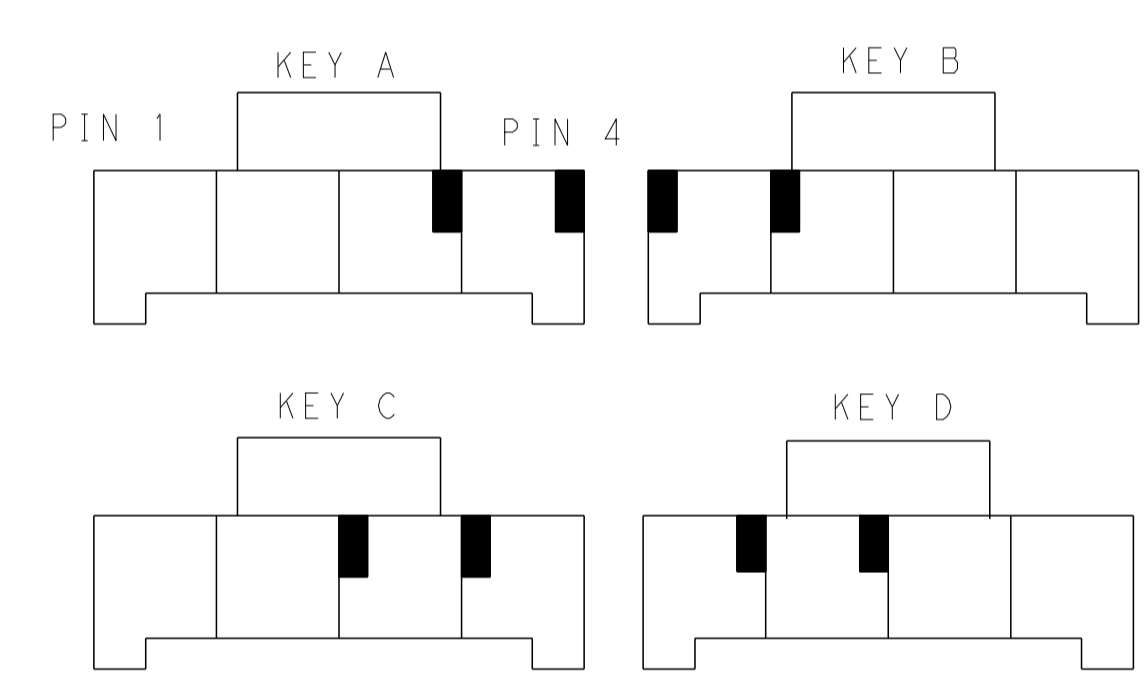
1*5 POSITIONS



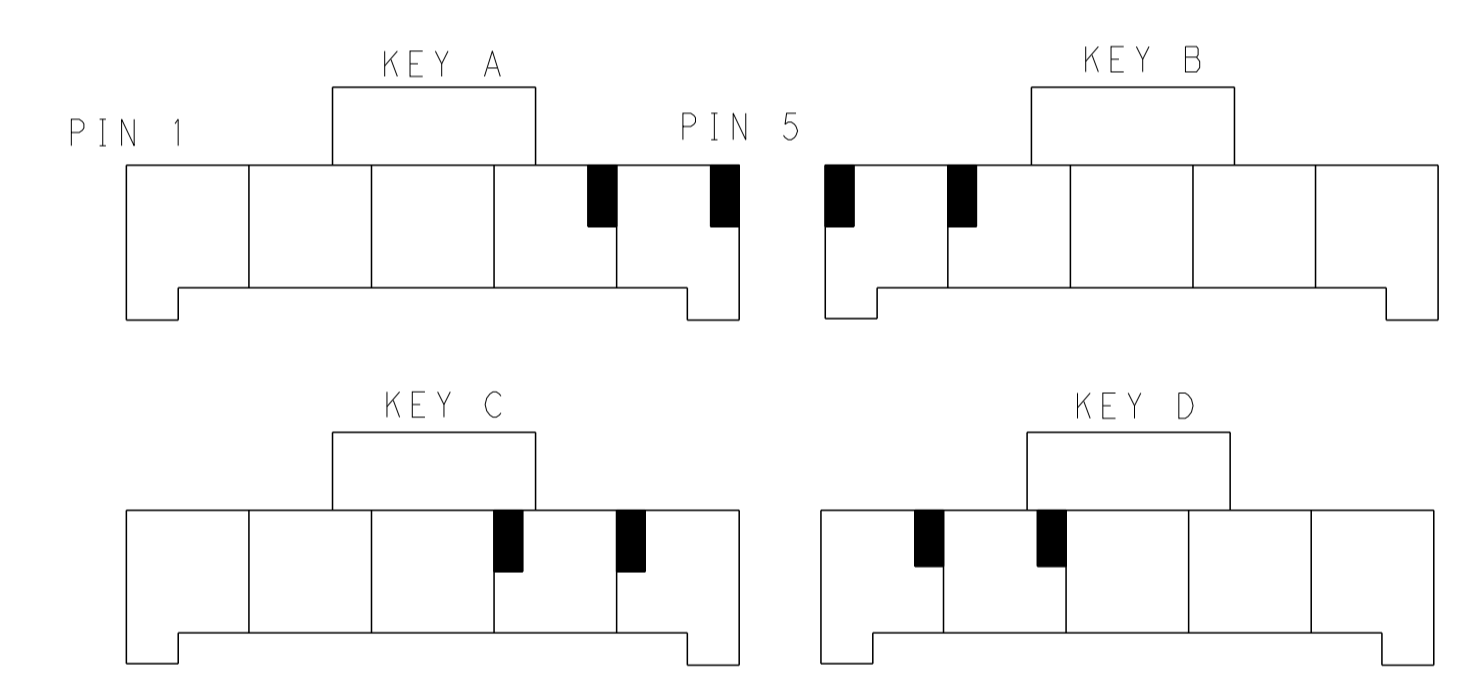
KEYING FOR 1*2 POS.



KEYING FOR 1*3 POS.



KEYING FOR 1*4 POS.



KEYING FOR 1*5 POS.

POS.	MATERIAL	COLOR	KEY	P/N
1*5	LEVEL A	DARK GREY	KEY A	5-2232263-7
		BROWN	KEY B	6-2232263-7
		GREEN	KEY C	7-2232263-7
		ORANGE	KEY D	8-2232263-7
1*4	LEVEL B	BLACK	KEY A	1-2232263-3
		DARK GREY	KEY A	5-2232263-4
		BROWN	KEY B	6-2232263-4
		GREEN	KEY C	7-2232263-4
1*4	LEVEL A	ORANGE	KEY D	8-2232263-4
		BLACK	KEY A	1-2232263-2
		DARK GREY	KEY A	5-2232263-3
		BROWN	KEY B	6-2232263-3
1*3	LEVEL A	GREEN	KEY C	7-2232263-3
		ORANGE	KEY D	8-2232263-3
		DARK GREY	KEY A	5-2232263-2
		BROWN	KEY B	6-2232263-2
1*2	LEVEL A	GREEN	KEY C	7-2232263-2
		ORANGE	KEY D	8-2232263-2
		NATURAL	KEY B	2-2232263-1
		BLACK	KEY A	1-2232263-1
1*2	LEVEL B	BLACK	KEY A	1-2232263-1

THIS DRAWING IS A CONTROLLED DOCUMENT.		OWN TOMMY WU 26MAR2013	TE Connectivity NAME CAP HOUSING, PANEL MOUNT, SINGLE ROW POWER TRIPLE LOCK
DIMENSIONS: mm		CHK HAPYE WU 26MAR2013	
TOLERANCES UNLESS OTHERWISE SPECIFIED: 0 PLC ±0.35 1 PLC ±0.25 2 PLC ±0.20 3 PLC ±0.20 4 PLC ±0.20 ANGLES ° ±0.5		APVD YUHONG MAO 26MAR2013	PRODUCT SPEC 108-106118
MATERIAL		FINISH	APPLICATION SPEC 114-106118
1 2		WEIGHT	RESTRICTED TO
Customer Drawing		SCALE	SHEET 2 OF 2 REV C