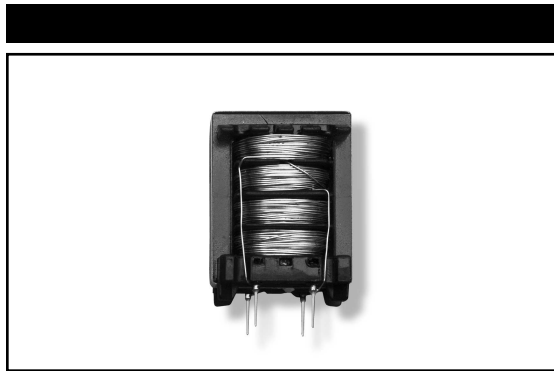


MODEL HM18 SERIES

EE Style

Common-Mode Chokes



FEATURES

- Ferrite cores for high flux density
- Complies with UL, VDE safety requirements
- Low temperature rise
- Compact construction
- Varnish impregnation to ensure highest quality

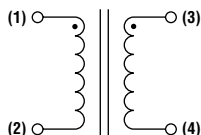
APPLICATIONS

- Switching power supply
- Common mode EMI filter
- Office equipment
- Video and audio equipment

ELECTRICAL / ENVIRONMENTAL

| | |
|--------------------------------|----------------|
| Voltage Rating, Maximum | 120/250 V |
| Insulation Resistance, Minimum | 100 Megohms |
| Insulation System | Class B, 130°C |
| Temperature Rise, Maximum | 40°C |

SCHEMATIC (FIGURE 1, 2, 3 & 4)



Specifications subject to change without notice.

FIGURE 1 (Inch/mm)

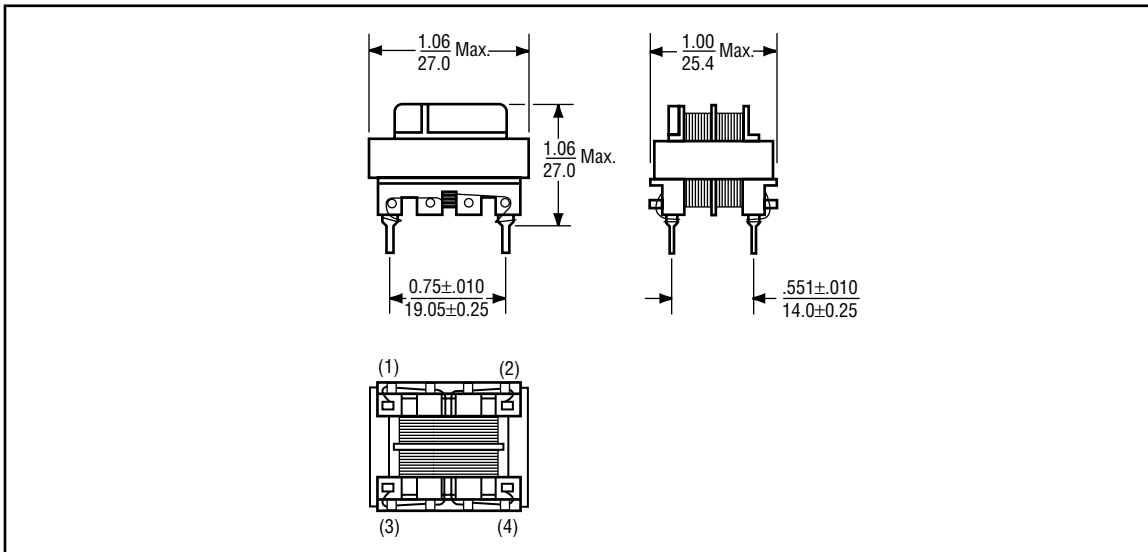


FIGURE 3 AND 4 (Inch/mm)

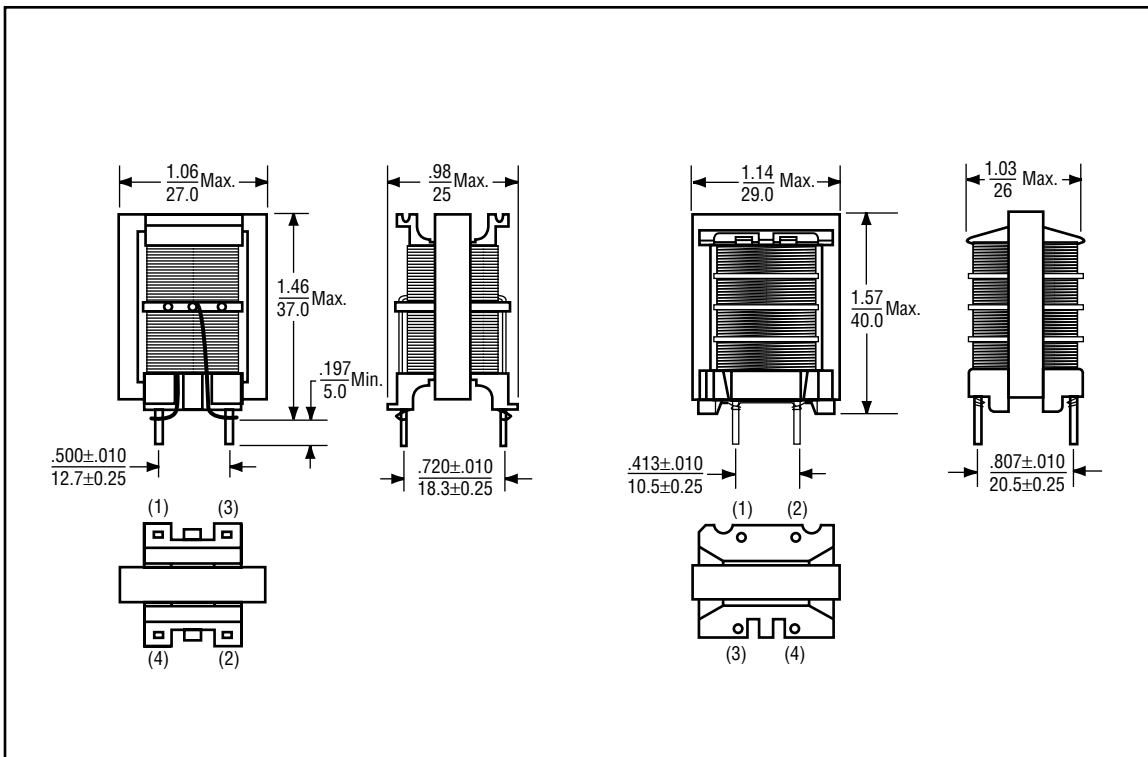
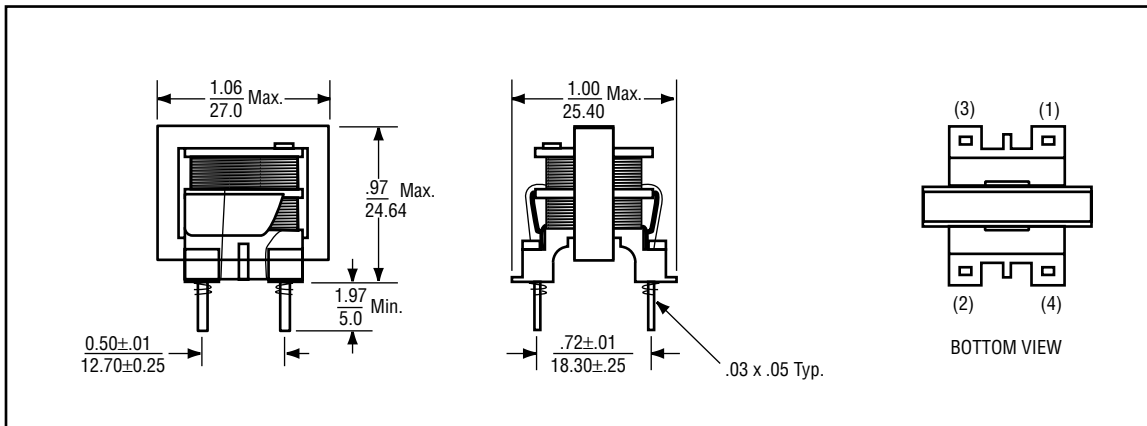


FIGURE 2 (Inch/mm)



SPECIFICATIONS

| Part Number | Current Rating @40°C Rise Amps | Inductance @ 10 kHz mH Min. | DC Resistance Ω Max. | Wire Gauge AWG (mm) ⁽¹⁾ | Figure |
|-------------|--------------------------------------|-----------------------------------|-------------------------|---------------------------------------|--------|
| HM18-20001 | 1.0 | 15 | 0.60 | 26 (0.40) | 2 |
| HM18-20002 | 1.5 | 8.5 | 0.34 | 25 (0.45) | 2 |
| HM18-20003 | 2.0 | 6.2 | 0.24 | 24 (0.51) | 2 |
| HM18-20004 | 2.5 | 3.9 | 0.15 | 23 (0.57) | 2 |
| HM18-20005 | 3.0 | 2.2 | 0.09 | 22 (0.64) | 2 |
| HM18-10001 | 1.0 | 15 | 0.60 | 26 (0.40) | 1 |
| HM18-10002 | 1.5 | 8.5 | 0.34 | 25 (0.45) | 1 |
| HM18-10003 | 2.0 | 6.2 | 0.24 | 24 (0.51) | 1 |
| HM18-10004 | 2.5 | 3.9 | 0.15 | 23 (0.57) | 1 |
| HM18-10005 | 3.0 | 2.2 | 0.09 | 22 (0.64) | 1 |
| HM18-30001 | 2.0 | 20 | 0.85 | 24 (0.51) | 3 |
| HM18-30002 | 2.5 | 12 | 0.30 | 23 (0.57) | 3 |
| HM18-30003 | 3.0 | 9.0 | 0.21 | 22 (0.64) | 3 |
| HM18-30004 | 3.5 | 5.0 | 0.13 | 21 (0.72) | 3 |
| HM18-30005 | 4.0 | 2.5 | 0.07 | 20 (0.81) | 3 |
| HM18-40001 | 2.0 | 14 | 0.60 | 24 (0.51) | 4 |
| HM18-40002 | 2.5 | 7.0 | 0.25 | 23 (0.57) | 4 |
| HM18-40003 | 3.0 | 6.2 | 0.15 | 22 (0.64) | 4 |
| HM18-40004 | 3.5 | 3.3 | 0.09 | 21 (0.72) | 4 |
| HM18-40005 | 4.0 | 1.7 | 0.06 | 20 (0.81) | 4 |

Note: (1) Nominal bare wire diameter.

