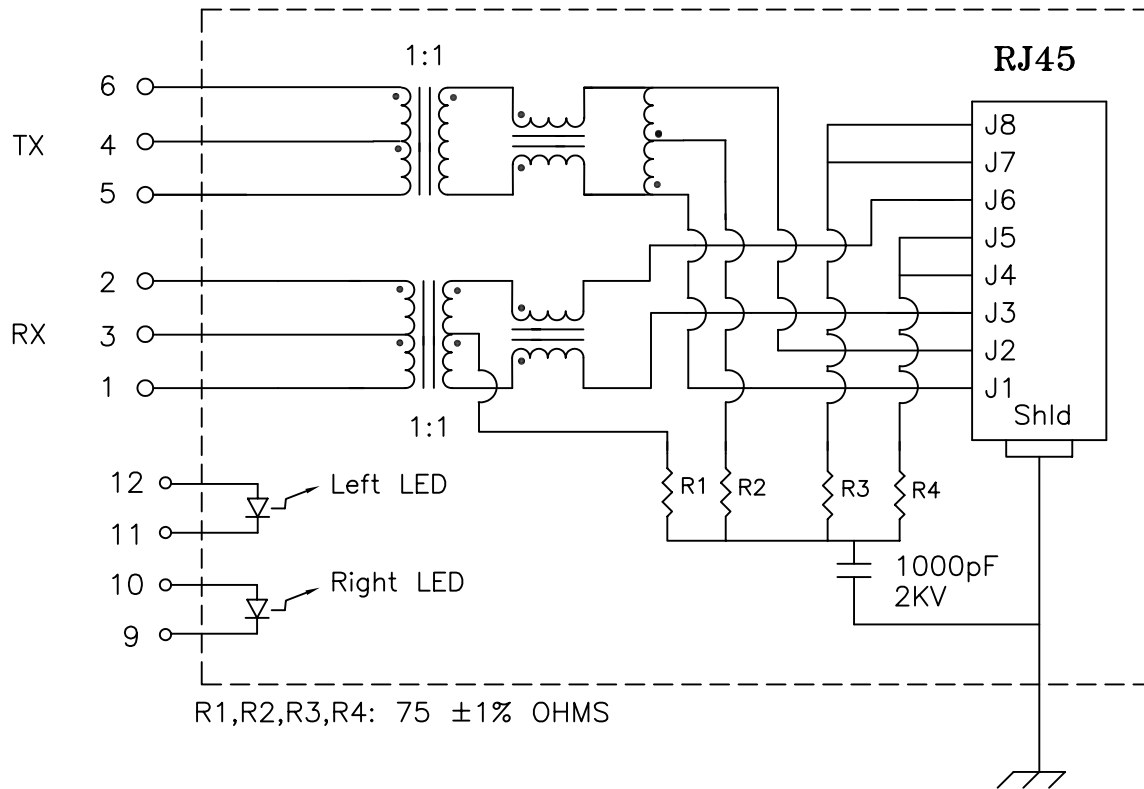


Schematic:

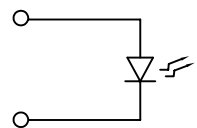


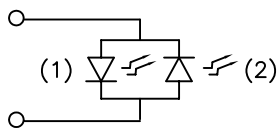
Electrical Specifications: @25°C

- Isolation Voltage: 1500 Vac
- Isolation Voltage: 500 Vac (1+2+3+5+6+7)
- UTP SIDE OCL: 350uH Min @100KHz 100mV 8mADC
- Rise Time (10–90%): 2.5ns Typical
- Insertion Loss (300KHz–100MHz): –1.1dB Maximum
- Insertion Loss (100MHz–125MHz): –1.5dB Maximum
- Return Loss: –12dB Typical @300KHz – 100MHz
- Crosstalk:
 - 100KHz–60MHz –40dB Typical
 - 60MHz–100MHz –38dB Typical
- Common Mode to Differential Mode Rejection:
 - 1MHz–100MHz –30dB Typ (Tx) / –30dB Typ (Rx)
 - 200MHz –20dB Typ (Tx) / –20dB Typ (Rx)

Complete the Combo P/N as follows:

Replace 'x' & 'u' in the part number with one of the LED color letters:
 Y=Yellow 'x' = Left LED Color
 G=Green 'u' = Right LED Color
 A=Amber
 R=Red
 C=Green(1)/Amber(2) Bicolor
 D=Amber(1)/Green(2) Bicolor
 M=Green(1)/Yellow(2) Bicolor
 N=Yellow(1)/Green(2) Bicolor
 P=Red(1)/Green(2) Bicolor
 Q=Green(1)/Red(2) Bicolor

Single Color LED: 

Bi-Color LED: 

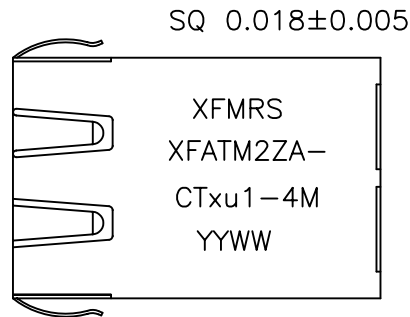
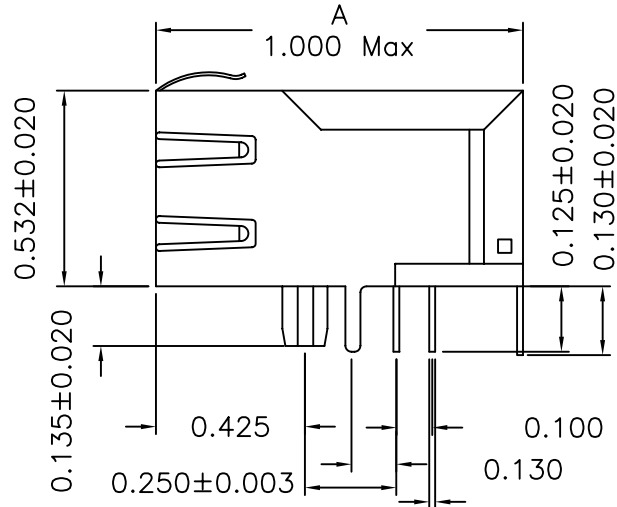
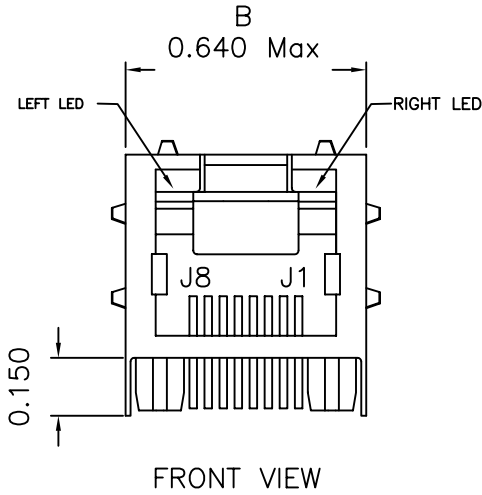
DOC REV: A/1

XFMR'S Inc.

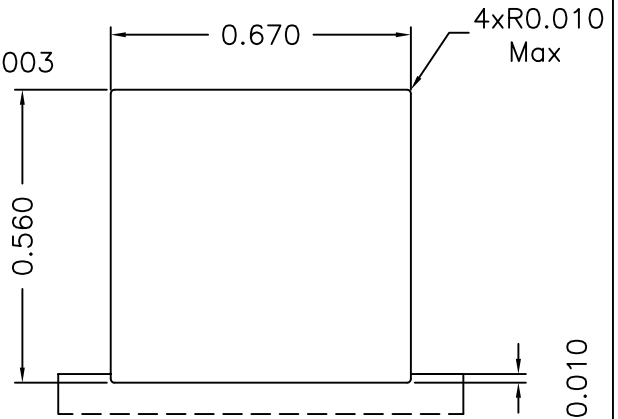
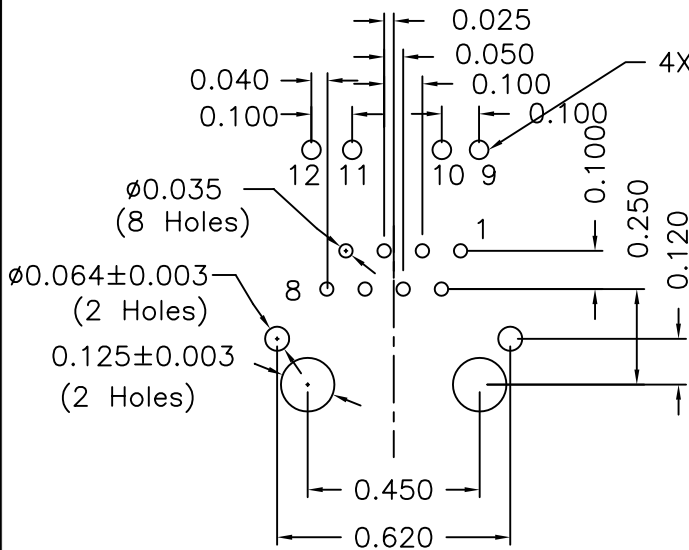
Title: TAB UP COMBO W/ LED'S		
UNLESS OTHERWISE SPECIFIED TOLERANCES: .xxx ±0.010 Dimensions in Inch	P/N: XFATM2ZA-CTxu1-4M	REV. A
	DWN. Juan Mao	Apr-20-04
	CHK. YK Liao	Apr-20-04
	APP. Isaiah M	Apr-20-04

PROPRIETARY:
 Document is the property of XFMR'S Group & is not allowed to be duplicated without authorization.

Mechanical Dimensions:



Mounting Pattern:



FACE VIEW
RECOMMENDED PANEL CUTOUT

DOC REV: A/1

XFMRs Inc.	Title: Mechanical Dimensions For TAB UB RJ45 COMBO		
	UNLESS OTHERWISE SPECIFIED TOLERANCES: .xxx ± 0.010 Dimensions in Inch	P/N: XFATM2ZA-CTxu1-4M	REV. A
SHEET 2 OF 2	DWN.	Kang Chen	Apr-20-04
	CHK.	YK Liao	Apr-20-04
	APP.	Isaiah M	Apr-20-04

PROPRIETARY:
Document is the property of XFMRs Group & is not allowed to be duplicated without authorization.