

# Terminations & Loads

## Model 1479 Low Passive Intermodulation

N or SMK Connectors, Convection Cooled



dc to 6.5 GHz

175 Watts

**RoHS**



### FEATURES

- /// Low PIM design
- /// Lower profile design
- /// Quality connectors with special high temperature support beads
- /// Rugged construction, free of solder joints.

### SPECIFICATIONS

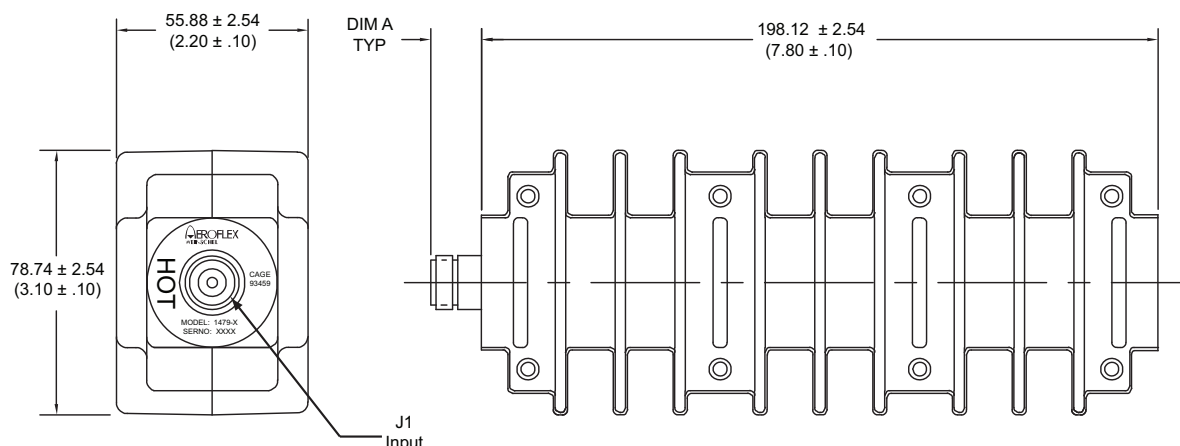
**NOMINAL IMPEDANCE:** 50 Ω

**FREQUENCY RANGE:** dc to 6.5 GHz

MAXIMUM SWR:	
Frequency (GHz)	SWR
dc - 4	1.10
4 - 6.5	1.15

**PASSIVE INTERMODULATION (PIM) IM3 LEVELS:** IM3 (Reflected) = -120 dBc with two input signals @ 869 MHz and 891 MHz with an average power of +43 dBm each.

### PHYSICAL DIMENSIONS:



NOTE: All dimensions are given in mm (inches) and are maximum, unless otherwise specified.

**POWER RATING:** 175 watts average (mounted horizontally assuming unobstructed air flow and natural convection around unit) @ 25°C ambient temperature, derated linearly to 17 watts @ 125°C. 10 kilowatts peak (5 μsec pulse width; 0.9% duty cycle).

**TEMPERATURE RANGE:** -55°C to +125°C

**TEST DATA:** Swept data plots of SWR from 50 MHz to 6.5 GHz is available at additional cost.

**CONNECTOR:** Type N connector per MIL-STD-348 interface dimensions - mate nondestructively with MIL-C-39012 connector. SMK (2.92mm) - mate nondestructively with SMA per MIL-C-39012, 3.5mm, SMK, and other 2.92mm connectors.

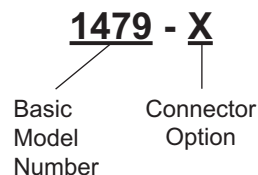
Options	Description	Options	Description
1	SMK Female	3	Type N Female
2	SMK Male	4	Type N Male

**CONSTRUCTION:** Black, finned aluminum body, stainless steel connector; gold plated beryllium copper female contact or stainless steel male contact.

**WEIGHT:** Net 1,300 g (2 lbs., 14 oz.) maximum

### MODEL NUMBER DESCRIPTION:

Example:



Note: Specifications subject to change without notice.

Connector	DIM A	Connector	DIM A
N Male	22.9 (0.90)	SMK Male	14.0 (0.55)
N Female	15.0 (0.59)	SMK Female	12.7 (0.50)