

## Fully Integrated Power Management with Power Path and Battery Charger

Check for Samples: [TWL6032](#)

### FEATURES

- Five highly efficient buck converters
  - One 3 MHz, 0.6 to 2.1 V @ 5.0 A, DVS-capable
  - One 6 MHz, 0.6 to 2.1 V @ 2.5 A, DVS-capable
  - Three 6 MHz, 0.6 to 2.1 V @ 1.1 A, one being DVS-capable
  - Extended mode for higher output voltages
- 11 general-purpose low-dropout voltage regulators (LDOs)
  - Six 1.0 to 3.3 V @ 0.2 A with battery or preregulated supply:
    - One can be used as vibrator driver.
  - One 1.0 to 3.3 V @ 50 mA with battery or preregulated supply
  - One low-noise 1.0 to 3.3 V @ 50 mA with battery or preregulated supply
  - One 3.3 V @ 100 mA USB LDO
  - Two LDOs for TWL6032 internal use
- USB OTG module:
  - ID detection, accessory charger adapter (ACA) support
  - Accessory detection protocol (ADP) support
- Backup battery charger
- 12-bit sigma-delta analog-to-digital converter (ADC) with 19 input channels:
  - Seven external input channels
- 13-bit Coulomb counter with four programmable integration periods
- Low power consumption:
  - 8  $\mu$ A in BACKUP state
  - 20  $\mu$ A in WAIT-ON state
  - 110  $\mu$ A in SLEEP state, with two DC-DCs active
- Real-time clock (RTC) with timer and alarm wake-up:
  - Three buffered 32-kHz outputs
- SIM and SD/MMC card detections
- Two digital PWM outputs
- Thermal monitoring:
  - High-temperature warning
  - Thermal shutdown
- Control:
  - Configurable power-up and power-down sequences (OTP memory)
  - Configurable sequences between SLEEP and ACTIVE states (OTP memory)
  - Three digital output signals that can be included in the startup sequence to control external devices
  - Two inter-integrated circuit (I<sup>2</sup>C™) interfaces
  - All resources configurable by I<sup>2</sup>C
- System voltage regulator/battery charger with power path from USB:
  - Input current limit to comply with USB standard
  - 3-MHz switched-mode regulator with integrated power FET for up to 2.0-A current
  - Dedicated control loop for battery current and voltage
  - External low-ohmic FET for power path and battery charging
  - Boost mode operation for USB OTG
  - Supplement mode to deliver current from battery during power path operation
  - Charger for single-cell Li-Ion and Li-polymer battery packs
  - Safety timer and reset control
  - Thermal protection
  - Input/output overvoltage protection
  - Charging indicator LED driver
  - Compliant with:
    - USB 2.0
    - OTG and EH 2.0
    - USB battery charging 1.2
    - YD/T 1591-2006
    - Japanese battery charging guidelines (JEITA)

**PRODUCT PREVIEW**


Please be aware that an important notice concerning availability, standard warranty, and use in critical applications of Texas Instruments semiconductor products and disclaimers thereto appears at the end of this data sheet.

- **Battery voltage range from 2.5 to 5.5 V**
- **Package 5.21 mm × 5.36 mm 155-pin WCSP**

## APPLICATIONS

- **Mobile phones and smart phones**
- **Tablets**
- **Gaming handsets**
- **Portable media players**
- **Portable navigation systems**
- **Handheld devices**

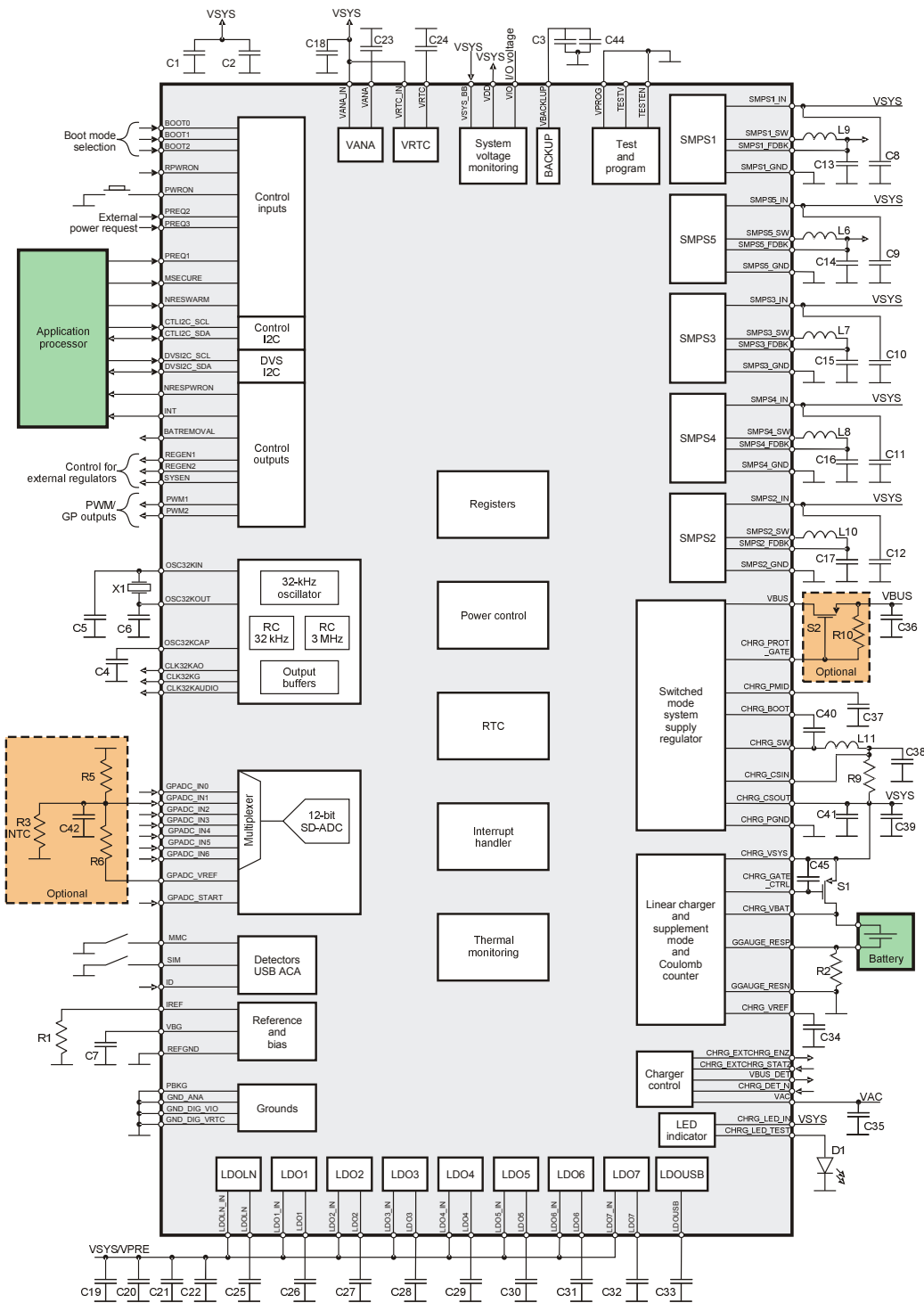
## DESCRIPTION

The TWL6032 device is an integrated power-management integrated circuit (PMIC) for applications powered by a rechargeable battery. The device provides five configurable step-down converters with up to 5.0-A current capability for memory, processor core, I/O, auxiliary, preregulation for LDOs, etc. It also contains nine LDO regulators for external use that can be supplied from a battery or a preregulated supply. The power-up/power-down controller is configurable and can support any power-up/power-down sequence (programmed in OTP memory). The RTC provides three 32-kHz clock outputs, seconds, minutes, hours, day, month, and year information, as well as alarm wakeup and timer. The TWL6032 device supports 32-kHz clock generation based on a crystal oscillator.

The device integrates a switched-mode system supply regulator from a USB connector. It includes power paths from the USB and battery with supplemental mode for immediate startup, even with an empty battery. The battery switch uses an external low-ohmic PMOS transistor allowing minimal serial resistance during fast charging and when operating from battery. The device can also be used without the external PMOS transistor; the battery is then always tied to the system supply and the switched-mode regulator is used for battery charging.

The TWL6032 device is available in a 155-pin WCSP package, 5.21 mm × 5.36 mm with a 0.4-mm ball pitch.

[Figure 1](#) shows the TWL6032 device block diagram.



PRODUCT PREVIEW

For the complete TWL6032 data sheet, contact your TI sales representative or [omap4\\_companion@list.ti.com](mailto:omap4_companion@list.ti.com). The document is internally available for download on ESP under the corresponding TWL6032 product folders and can be shared with customers.

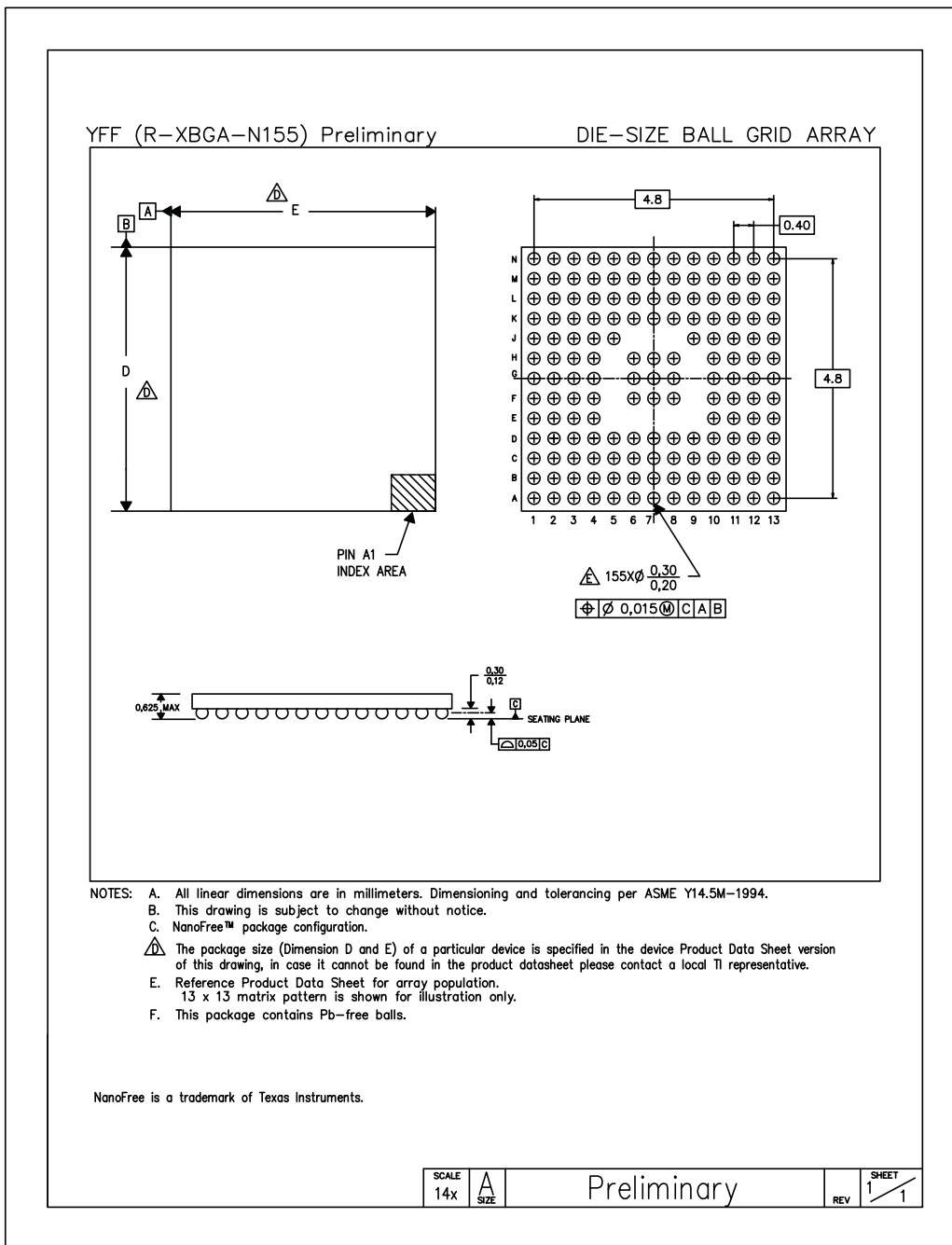
**Table 1. Ordering Information**

PART NUMBER	ORDERING <sup>(1)</sup>	Processor	Power Path	AUTOCHARGE OTP bit	
TWL6032	(P)TWL6032A1B0YFFR	OMAP4460	Yes	0	Reel, 2500 units
TWL6032	(P)TWL6032A1B0YFFT	OMAP4460	Yes	0	Reel, 250 units
TWL6032	(P)TWL6032A1B4YFFR	OMAP4470	Yes	1	Reel, 2500 units
TWL6032	(P)TWL6032A1B4YFFT	OMAP4470	Yes	1	Reel, 250 units
TWL6032	(P)TWL6032A1B6YFFR	OMAP4470	Yes	0	Reel, 2500 units
TWL6032	(P)TWL6032A1B6YFFT	OMAP4470	Yes	0	Reel, 250 units
TWL6032	(P)TWL6032A1B7YFFR	OMAP4470	No	0	Reel, 2500 units
TWL6032	(P)TWL6032A1B7YFFT	OMAP4470	No	0	Reel, 250 units

(1) The Ordering numbers starting with "PTWL6032..." are for Prototype devices. The Ordering numbers will be changed to start with "TWL6032..." when the device is released to market.

Package Information

Figure 2 shows the TWL6032 package.



PRODUCT PREVIEW

Dimensions:

- D: 5364 μm (nominal), 5334 μm (minimum), 5394 μm (maximum)
- E: 5214 μm (nominal), 5184 μm (minimum), 5244 μm (maximum)

Figure 2. TWL6032 Package

## **WARNING: EXPORT NOTICE**

**Recipient agrees to not knowingly export or re-export, directly or indirectly, any product or technical data (as defined by the U.S., EU, and other Export Administration Regulations) including software, or any controlled product restricted by other applicable national regulations, received from Disclosing party under this Agreement, or any direct product of such technology, to any destination to which such export or re-export is restricted or prohibited by U.S. or other applicable laws, without obtaining prior authorisation from U.S. Department of Commerce and other competent Government authorities to the extent required by those laws. This provision shall survive termination or expiration of this Agreement.**

**According to our best knowledge of the state and end-use of this product or technology, and in compliance with the export control regulations of dual-use goods in force in the origin and exporting countries, this technology is classified as follows:**

**US ECCN: EAR99**

**EU ECCN: EAR99**

**And may require export or re-export license for shipping it in compliance with the applicable regulations of certain countries.**

**PACKAGING INFORMATION**

Orderable Device	Status <sup>(1)</sup>	Package Type	Package Drawing	Pins	Package Qty	Eco Plan <sup>(2)</sup>	Lead/ Ball Finish	MSL Peak Temp <sup>(3)</sup>	Samples (Requires Login)
TWL6032A1B0YFFR	PREVIEW	DSBGA	YFF	155	3000	Green (RoHS & no Sb/Br)	Call TI	Level-1-260C-UNLIM	
TWL6032A1B0YFFT	PREVIEW	DSBGA	YFF	155	250	Green (RoHS & no Sb/Br)	Call TI	Level-1-260C-UNLIM	
TWL6032A1B4YFFR	ACTIVE	DSBGA	YFF	155	3000	Green (RoHS & no Sb/Br)	Call TI	Level-1-260C-UNLIM	
TWL6032A1B4YFFT	ACTIVE	DSBGA	YFF	155	250	Green (RoHS & no Sb/Br)	Call TI	Level-1-260C-UNLIM	
TWL6032A1B6YFFR	ACTIVE	DSBGA	YFF	155	3000	Green (RoHS & no Sb/Br)	Call TI	Level-1-260C-UNLIM	
TWL6032A1B6YFFT	ACTIVE	DSBGA	YFF	155	250	Green (RoHS & no Sb/Br)	Call TI	Level-1-260C-UNLIM	
TWL6032A1B7YFFR	PREVIEW	DSBGA	YFF	155	3000	Green (RoHS & no Sb/Br)	Call TI	Level-1-260C-UNLIM	
TWL6032A1B7YFFT	PREVIEW	DSBGA	YFF	155	250	Green (RoHS & no Sb/Br)	Call TI	Level-1-260C-UNLIM	
TWL6032A1BEYFFR	ACTIVE	DSBGA	YFF	155	3000	Green (RoHS & no Sb/Br)	Call TI	Level-1-260C-UNLIM	
TWL6032A1BEYFFT	ACTIVE	DSBGA	YFF	155	250	Green (RoHS & no Sb/Br)	Call TI	Level-1-260C-UNLIM	

<sup>(1)</sup> The marketing status values are defined as follows:

**ACTIVE:** Product device recommended for new designs.

**LIFEBUY:** TI has announced that the device will be discontinued, and a lifetime-buy period is in effect.

**NRND:** Not recommended for new designs. Device is in production to support existing customers, but TI does not recommend using this part in a new design.

**PREVIEW:** Device has been announced but is not in production. Samples may or may not be available.

**OBSELETE:** TI has discontinued the production of the device.

<sup>(2)</sup> Eco Plan - The planned eco-friendly classification: Pb-Free (RoHS), Pb-Free (RoHS Exempt), or Green (RoHS & no Sb/Br) - please check <http://www.ti.com/productcontent> for the latest availability information and additional product content details.

**TBD:** The Pb-Free/Green conversion plan has not been defined.

**Pb-Free (RoHS):** TI's terms "Lead-Free" or "Pb-Free" mean semiconductor products that are compatible with the current RoHS requirements for all 6 substances, including the requirement that lead not exceed 0.1% by weight in homogeneous materials. Where designed to be soldered at high temperatures, TI Pb-Free products are suitable for use in specified lead-free processes.

**Pb-Free (RoHS Exempt):** This component has a RoHS exemption for either 1) lead-based flip-chip solder bumps used between the die and package, or 2) lead-based die adhesive used between the die and leadframe. The component is otherwise considered Pb-Free (RoHS compatible) as defined above.

---

**Green (RoHS & no Sb/Br):** TI defines "Green" to mean Pb-Free (RoHS compatible), and free of Bromine (Br) and Antimony (Sb) based flame retardants (Br or Sb do not exceed 0.1% by weight in homogeneous material)

<sup>(3)</sup> MSL, Peak Temp. -- The Moisture Sensitivity Level rating according to the JEDEC industry standard classifications, and peak solder temperature.

**Important Information and Disclaimer:** The information provided on this page represents TI's knowledge and belief as of the date that it is provided. TI bases its knowledge and belief on information provided by third parties, and makes no representation or warranty as to the accuracy of such information. Efforts are underway to better integrate information from third parties. TI has taken and continues to take reasonable steps to provide representative and accurate information but may not have conducted destructive testing or chemical analysis on incoming materials and chemicals. TI and TI suppliers consider certain information to be proprietary, and thus CAS numbers and other limited information may not be available for release.

In no event shall TI's liability arising out of such information exceed the total purchase price of the TI part(s) at issue in this document sold by TI to Customer on an annual basis.



**TAPE AND REEL INFORMATION**
**REEL DIMENSIONS**

**TAPE DIMENSIONS**


A0	Dimension designed to accommodate the component width
B0	Dimension designed to accommodate the component length
K0	Dimension designed to accommodate the component thickness
W	Overall width of the carrier tape
P1	Pitch between successive cavity centers

**TAPE AND REEL INFORMATION**

\*All dimensions are nominal

Device	Package Type	Package Drawing	Pins	SPQ	Reel Diameter (mm)	Reel Width W1 (mm)	A0 (mm)	B0 (mm)	K0 (mm)	P1 (mm)	W (mm)	Pin1 Quadrant
TWL6032A1B4YFFR	DSBGA	YFF	155	3000	330.0	12.4	5.35	5.49	0.86	8.0	12.0	Q1
TWL6032A1B4YFFT	DSBGA	YFF	155	250	180.0	12.4	5.35	5.49	0.86	8.0	12.0	Q1
TWL6032A1B6YFFR	DSBGA	YFF	155	3000	330.0	12.4	5.35	5.49	0.86	8.0	12.0	Q1
TWL6032A1B6YFFT	DSBGA	YFF	155	250	180.0	12.4	5.35	5.49	0.86	8.0	12.0	Q1
TWL6032A1BEYFFR	DSBGA	YFF	155	3000	330.0	12.4	5.35	5.49	0.86	8.0	12.0	Q1
TWL6032A1BEYFFT	DSBGA	YFF	155	250	180.0	12.4	5.35	5.49	0.86	8.0	12.0	Q1

**TAPE AND REEL BOX DIMENSIONS**


\*All dimensions are nominal

Device	Package Type	Package Drawing	Pins	SPQ	Length (mm)	Width (mm)	Height (mm)
TWL6032A1B4YFFR	DSBGA	YFF	155	3000	346.0	346.0	29.0
TWL6032A1B4YFFT	DSBGA	YFF	155	250	210.0	185.0	35.0
TWL6032A1B6YFFR	DSBGA	YFF	155	3000	346.0	346.0	29.0
TWL6032A1B6YFFT	DSBGA	YFF	155	250	210.0	185.0	35.0
TWL6032A1BEYFFR	DSBGA	YFF	155	3000	346.0	346.0	29.0
TWL6032A1BEYFFT	DSBGA	YFF	155	250	210.0	185.0	35.0

## IMPORTANT NOTICE

Texas Instruments Incorporated and its subsidiaries (TI) reserve the right to make corrections, modifications, enhancements, improvements, and other changes to its products and services at any time and to discontinue any product or service without notice. Customers should obtain the latest relevant information before placing orders and should verify that such information is current and complete. All products are sold subject to TI's terms and conditions of sale supplied at the time of order acknowledgment.

TI warrants performance of its hardware products to the specifications applicable at the time of sale in accordance with TI's standard warranty. Testing and other quality control techniques are used to the extent TI deems necessary to support this warranty. Except where mandated by government requirements, testing of all parameters of each product is not necessarily performed.

TI assumes no liability for applications assistance or customer product design. Customers are responsible for their products and applications using TI components. To minimize the risks associated with customer products and applications, customers should provide adequate design and operating safeguards.

TI does not warrant or represent that any license, either express or implied, is granted under any TI patent right, copyright, mask work right, or other TI intellectual property right relating to any combination, machine, or process in which TI products or services are used. Information published by TI regarding third-party products or services does not constitute a license from TI to use such products or services or a warranty or endorsement thereof. Use of such information may require a license from a third party under the patents or other intellectual property of the third party, or a license from TI under the patents or other intellectual property of TI.

Reproduction of TI information in TI data books or data sheets is permissible only if reproduction is without alteration and is accompanied by all associated warranties, conditions, limitations, and notices. Reproduction of this information with alteration is an unfair and deceptive business practice. TI is not responsible or liable for such altered documentation. Information of third parties may be subject to additional restrictions.

Resale of TI products or services with statements different from or beyond the parameters stated by TI for that product or service voids all express and any implied warranties for the associated TI product or service and is an unfair and deceptive business practice. TI is not responsible or liable for any such statements.

TI products are not authorized for use in safety-critical applications (such as life support) where a failure of the TI product would reasonably be expected to cause severe personal injury or death, unless officers of the parties have executed an agreement specifically governing such use. Buyers represent that they have all necessary expertise in the safety and regulatory ramifications of their applications, and acknowledge and agree that they are solely responsible for all legal, regulatory and safety-related requirements concerning their products and any use of TI products in such safety-critical applications, notwithstanding any applications-related information or support that may be provided by TI. Further, Buyers must fully indemnify TI and its representatives against any damages arising out of the use of TI products in such safety-critical applications.

TI products are neither designed nor intended for use in military/aerospace applications or environments unless the TI products are specifically designated by TI as military-grade or "enhanced plastic." Only products designated by TI as military-grade meet military specifications. Buyers acknowledge and agree that any such use of TI products which TI has not designated as military-grade is solely at the Buyer's risk, and that they are solely responsible for compliance with all legal and regulatory requirements in connection with such use.

TI products are neither designed nor intended for use in automotive applications or environments unless the specific TI products are designated by TI as compliant with ISO/TS 16949 requirements. Buyers acknowledge and agree that, if they use any non-designated products in automotive applications, TI will not be responsible for any failure to meet such requirements.

Following are URLs where you can obtain information on other Texas Instruments products and application solutions:

### Products

Audio	<a href="http://www.ti.com/audio">www.ti.com/audio</a>
Amplifiers	<a href="http://amplifier.ti.com">amplifier.ti.com</a>
Data Converters	<a href="http://dataconverter.ti.com">dataconverter.ti.com</a>
DLP® Products	<a href="http://www.dlp.com">www.dlp.com</a>
DSP	<a href="http://dsp.ti.com">dsp.ti.com</a>
Clocks and Timers	<a href="http://www.ti.com/clocks">www.ti.com/clocks</a>
Interface	<a href="http://interface.ti.com">interface.ti.com</a>
Logic	<a href="http://logic.ti.com">logic.ti.com</a>
Power Mgmt	<a href="http://power.ti.com">power.ti.com</a>
Microcontrollers	<a href="http://microcontroller.ti.com">microcontroller.ti.com</a>
RFID	<a href="http://www.ti-rfid.com">www.ti-rfid.com</a>
OMAP Mobile Processors	<a href="http://www.ti.com/omap">www.ti.com/omap</a>
Wireless Connectivity	<a href="http://www.ti.com/wirelessconnectivity">www.ti.com/wirelessconnectivity</a>

### Applications

Automotive and Transportation	<a href="http://www.ti.com/automotive">www.ti.com/automotive</a>
Communications and Telecom	<a href="http://www.ti.com/communications">www.ti.com/communications</a>
Computers and Peripherals	<a href="http://www.ti.com/computers">www.ti.com/computers</a>
Consumer Electronics	<a href="http://www.ti.com/consumer-apps">www.ti.com/consumer-apps</a>
Energy and Lighting	<a href="http://www.ti.com/energy">www.ti.com/energy</a>
Industrial	<a href="http://www.ti.com/industrial">www.ti.com/industrial</a>
Medical	<a href="http://www.ti.com/medical">www.ti.com/medical</a>
Security	<a href="http://www.ti.com/security">www.ti.com/security</a>
Space, Avionics and Defense	<a href="http://www.ti.com/space-avionics-defense">www.ti.com/space-avionics-defense</a>
Video and Imaging	<a href="http://www.ti.com/video">www.ti.com/video</a>

TI E2E Community Home Page

[e2e.ti.com](http://e2e.ti.com)

Mailing Address: Texas Instruments, Post Office Box 655303, Dallas, Texas 75265  
Copyright © 2012, Texas Instruments Incorporated