



■ Features :

- Universal AC input / Full range
- Built-in active PFC function
- Protections: Short circuit / Overload / Over voltage / Over temperature
- Cooling by free air convection
- Built-in constant current limiting circuit
- 1U low profile 30mm
- Remote ON-OFF control
- LED indicator for power on
- 100% full load burn-in test
- 3 years warranty

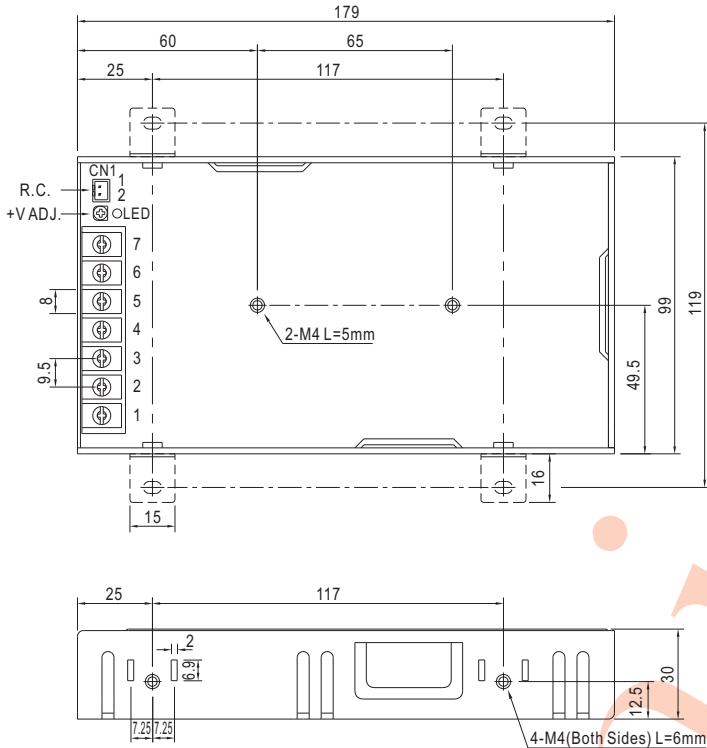


SPECIFICATION

| MODEL | | RSP-100-3.3 | RSP-100-5 | RSP-100-7.5 | RSP-100-12 | RSP-100-13.5 | RSP-100-15 | RSP-100-24 | RSP-100-27 | RSP-100-48 | |
|-----------------------|---|--|-------------|---------------|--------------|----------------|-----------------------------|--------------|---------------|--------------|--|
| OUTPUT | DC VOLTAGE | 3.3V | 5V | 7.5V | 12V | 13.5V | 15V | 24V | 27V | 48V | |
| | RATED CURRENT | 20A | 20A | 13.5A | 8.5A | 7.5A | 6.7A | 4.2A | 3.8A | 2.1A | |
| | CURRENT RANGE | 0 ~ 20A | 0 ~ 20A | 0 ~ 13.5A | 0 ~ 8.5A | 0 ~ 7.5A | 0 ~ 6.7A | 0 ~ 4.2A | 0 ~ 3.8A | 0 ~ 2.1A | |
| | RATED POWER | 66W | 100W | 101.25W | 102W | 101.25W | 100.5W | 100.8W | 102.6W | 100.8W | |
| | RIPPLE & NOISE (max.) Note.2 | 100mVp-p | 100mVp-p | 100mVp-p | 100mVp-p | 100mVp-p | 100mVp-p | 150mVp-p | 150mVp-p | 250mVp-p | |
| | VOLTAGE ADJ. RANGE | 3.14 ~ 3.63V | 4.75 ~ 5.5V | 7.13 ~ 8.25V | 11.4 ~ 13.2V | 12.8 ~ 14.9V | 14.3 ~ 16.5V | 22.8 ~ 26.4V | 25.7 ~ 29.7V | 45.6 ~ 52.8V | |
| | VOLTAGE TOLERANCE Note.3 | ±2.0% | ±2.0% | ±2.0% | ±2.0% | ±2.0% | ±2.0% | ±1.0% | ±1.0% | ±1.0% | |
| | LINE REGULATION | ±0.5% | ±0.5% | ±0.5% | ±0.5% | ±0.5% | ±0.5% | ±0.5% | ±0.5% | ±0.5% | |
| | LOAD REGULATION | ±1.0% | ±1.0% | ±1.0% | ±0.5% | ±0.5% | ±0.5% | ±0.5% | ±0.5% | ±0.5% | |
| | SETUP, RISE TIME | 600ms, 30ms at full load | | | | | | | | | |
| HOLD UP TIME (Typ.) | 16ms at full load | | | | | | | | | | |
| INPUT | VOLTAGE RANGE | 85 ~ 264VAC 120 ~ 370VDC | | | | | | | | | |
| | FREQUENCY RANGE | 47 ~ 63Hz | | | | | | | | | |
| | POWER FACTOR (Typ.) | PF>0.93/230VAC | | | | | PF>0.98/115VAC at full load | | | | |
| | EFFICIENCY (Typ.) | 76% | 80% | 82% | 83% | 83% | 85% | 86% | 86% | 88% | |
| | AC CURRENT (Typ.) | 1.7A/115VAC 0.8A/230VAC | | | | | | | | | |
| | INRUSH CURRENT (Typ.) | COLD START 30A/230VAC | | | | | | | | | |
| | LEAKAGE CURRENT | <2mA / 240VAC | | | | | | | | | |
| PROTECTION | OVERLOAD | 105 ~ 150% rated output power Protection type : Constant current limiting, recovers automatically after fault condition is removed | | | | | | | | | |
| | OVER VOLTAGE | 3.63 ~ 4.46V | 5.5 ~ 6.75V | 8.25 ~ 10.13V | 13.2 ~ 16.2V | 14.85 ~ 18.23V | 16.5 ~ 20.25V | 26.4 ~ 32.4V | 29.7 ~ 36.45V | 52.8 ~ 64.8V | |
| | OVER TEMPERATURE | 95°C ±5°C (TSW1) detect on heatsink of power transistor Protection type : Shut down o/p voltage, recovers automatically after temperature goes down | | | | | | | | | |
| FUNCTION | REMOTE CONTROL | CN1: < 0~0.8VDC POWER ON , 4~10VDC POWER OFF | | | | | | | | | |
| ENVIRONMENT | WORKING TEMP. | -30 ~ +70°C (Refer to "Derating Curve") | | | | | | | | | |
| | WORKING HUMIDITY | 20 ~ 90% RH non-condensing | | | | | | | | | |
| | STORAGE TEMP., HUMIDITY | -20 ~ +85°C, 10 ~ 95% RH | | | | | | | | | |
| | TEMP. COEFFICIENT | ±0.05%/°C (0 ~ 50°C) | | | | | | | | | |
| | VIBRATION | 10 ~ 500Hz, 2G 10min./1cycle, 60min. each along X, Y, Z axes | | | | | | | | | |
| SAFETY & EMC (Note 4) | SAFETY STANDARDS | UL60950-1, TUV EN60950-1, CCC GB4943 approved; Design refer to EN60335-1 | | | | | | | | | |
| | WITHSTAND VOLTAGE | I/P-O/P:3KVAC | | I/P-FG:2KVAC | | O/P-FG:0.5KVAC | | | | | |
| | ISOLATION RESISTANCE | I/P-O/P, I/P-FG, O/P-FG:100M Ohms / 500VDC / 25°C / 70% RH | | | | | | | | | |
| | EMC EMISSION | Compliance to EN55022 (CISPR22) Class B, EN61000-3-2,-3, GB9254 class B | | | | | | | | | |
| | EMC IMMUNITY | Compliance to EN61000-4-2,3,4,5,6,8,11, EN55024, light industry level, criteria A | | | | | | | | | |
| OTHERS | MTBF | K hrs min. MIL-HDBK-217F (25°C) | | | | | | | | | |
| | DIMENSION | 179*99*30mm (L*W*H) | | | | | | | | | |
| | PACKING | Kg | | | | | | | | | |
| NOTE | <p>1. All parameters NOT specially mentioned are measured at 230VAC input, rated load and 25°C of ambient temperature.</p> <p>2. Ripple & noise are measured at 20MHz of bandwidth by using a 12" twisted pair-wire terminated with a 0.1uf & 47uf parallel capacitor.</p> <p>3. Tolerance : includes set up tolerance, line regulation and load regulation.</p> <p>4. The power supply is considered a component which will be installed into a final equipment. The final equipment must be re-confirmed that it still meets EMC directives. For guidance on how to perform these EMC tests, please refer to "EMI testing of component power supplies." (as available on http://www.meanwell.com)</p> | | | | | | | | | | |

■ Mechanical Specification

Case No. Unit:mm



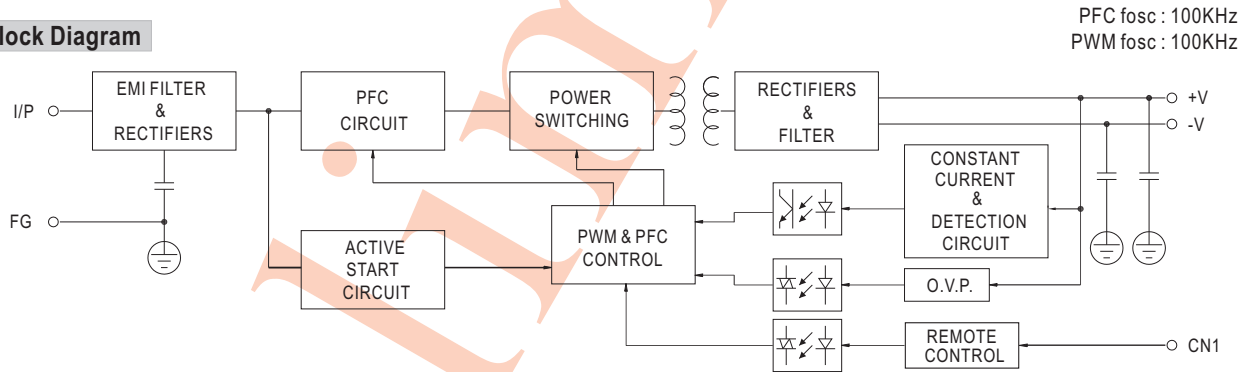
Terminal Pin No. Assignment

| Pin No. | Assignment | Pin No. | Assignment |
|---------|------------|---------|--------------|
| 1 | AC/L | 4,5 | DC OUTPUT -V |
| 2 | AC/N | 6,7 | DC OUTPUT +V |
| 3 | FG \perp | | |

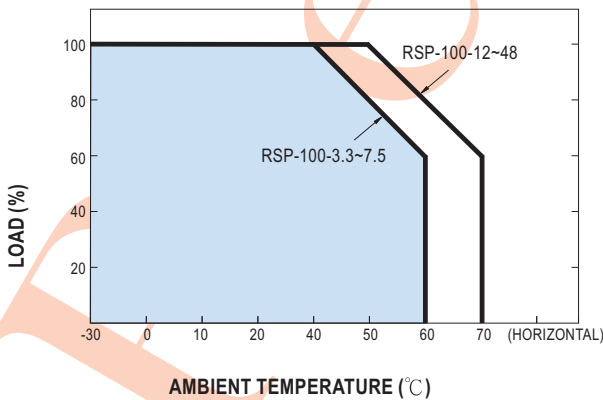
Remote ON/OFF(CN1): JST S2B-XH or equivalent(optional)

| Pin No. | Assignment | Mating Housing | Terminal |
|---------|------------|-----------------------|---------------------------------|
| 1 | RC+ | JST XHP or equivalent | JST SXH-001T-P0.6 or equivalent |
| 2 | RC- | | |

■ Block Diagram



■ Derating Curve



■ Output Derating VS Input Voltage

