

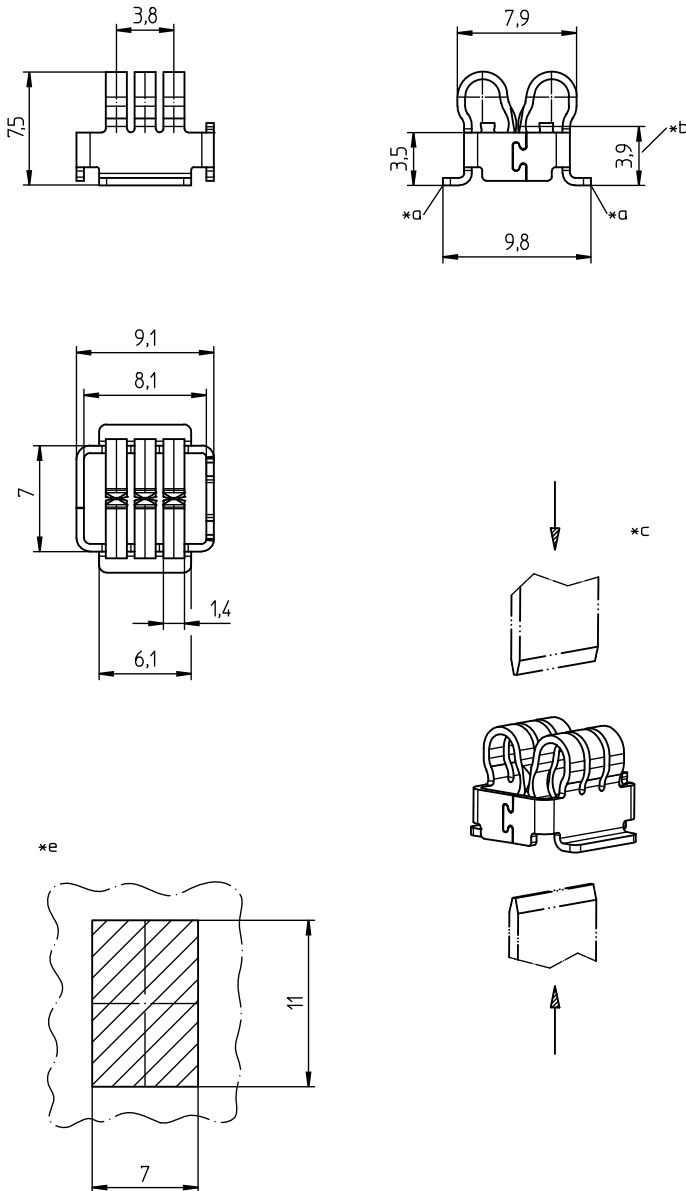
45 4580 03 OP T0,8

High-current contact elements



High-current contact bush, mateable from top or bottom direction, for tab contacts 0.8–1.0 mm, for printed circuit boards or lead frames

45 4580 03 OP T0,8



Environmental conditions

Temperature range -40 °C/+120 °C

Materials

Contact CuCr alloy, tin-plated

Mechanical data

Mating with tab contact 5.3 mm x 0.8-1.0 mm applicable for reflow soldering on printed circuit board applicable for laser welding on lead frame, e.g. Cu, tin-plated

Insertion force 25 N ± 10 N – tab contact 0.8 mm
30 N ± 10 N – tab contact 1.0 mm

Withdrawal force 15 N ± 10 N – tab contact 0.8 mm
20 N ± 10 N – tab contact 1.0 mm

Electrical data (at T_{amb} 20 °C)

Contact resistance < 0.5 mΩ
Rated current ≤ 60 A¹

¹ depending on connection to the printed circuit board/to the lead frame

- *a supporting surface for soldering
- *b height contact point
- *c mateable from top or bottom direction
- *e soldering area/circuit board installation space

45

4580 03 OP T0,8

Designation	Pole Number	PU (Pieces)	MDQ (Pieces)
4580 03 OP T0,8 V10VP12	1	2100	2100

Packaging:

on reel