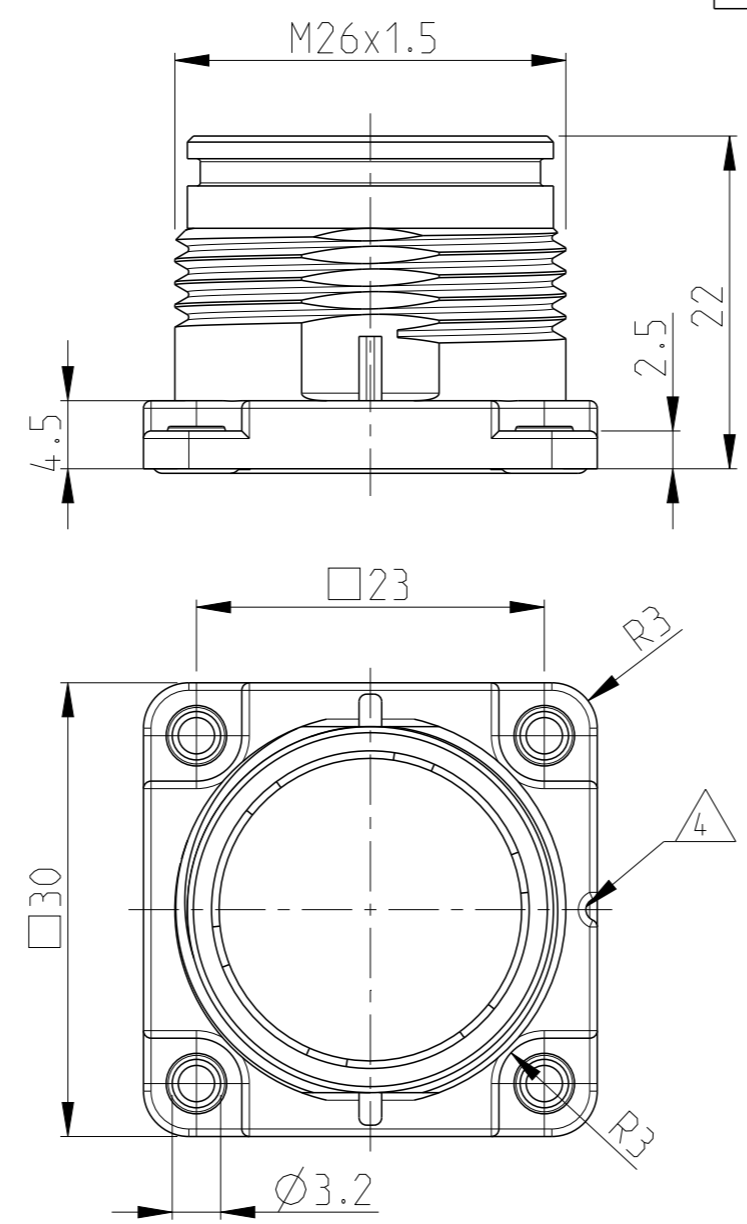
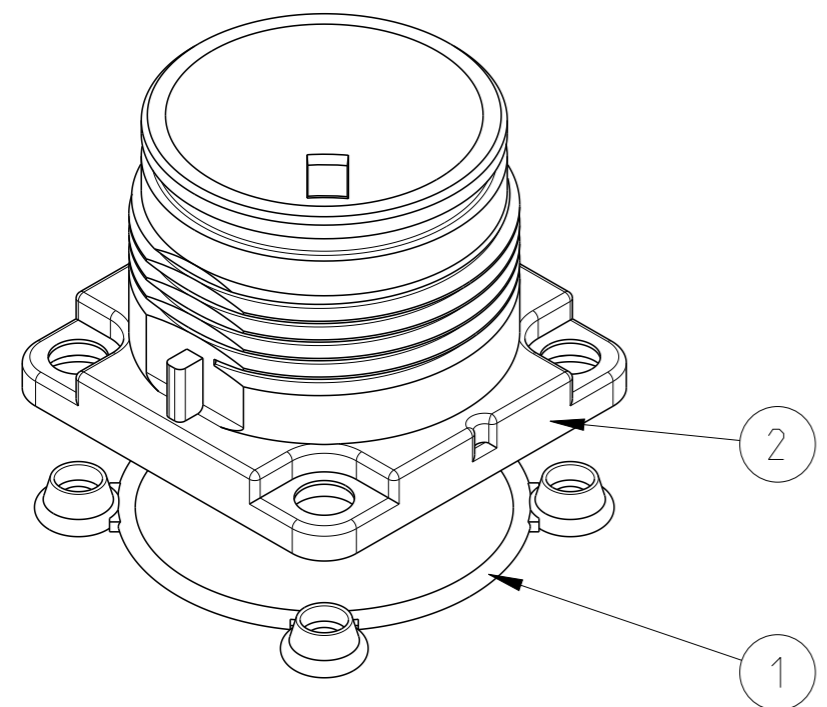


LOC	DIST	REVISIONS ÄNDERUNGEN					
AI	-	P	LTR	DESCRIPTION BESCHREIBUNG	DATE	DWN	APVD
PROJEKT NR.:		D2		O-RING DELETED	14AUG2014	EC	DO
		D3		TITLE BLOCK: NAME CHANGED	12OCT2015	ER	DO
		D4		REV. PER ECR-16-000458	12JAN2016	ER	DO




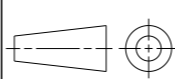
- Notes
- 1 SUITABLE HOUSINGS: SERIES HC26
CUSTOMER DRAWING: 1103436, 1103434
 - 2 SUITABLE INSERTS: SERIES HC26
CUSTOMER DRAWING: 1103428, 1103429,
1103431, 1103432
 - 3 STANDARDS:
DIN EN 61984, DIN EN 60664-1
 - 4 CODING GROOVE
 - 5 PACKAGING:
40 SETS IN A CARTON, PRE-MOUNTED
 - 6 SALEABLE PART
 - 7 KIT COMPONENT: FOR INTERNAL USE ONLY

PN 0-1 AS SHOWN

7	6	1	1	BULKHEAD HOUSING	ZINC ALLOY	NICKEL PLATED	SERIES HC26, DESIGN METAL	2
		1	1	SEALING	FKM	GREY	SERIES HC26, BULKHEAD HSG	1
		-2	-1	DESCRIPTION	MATERIAL	SURFACE/COLOR	NOTE	ITEM
PN/QTY		PARTS LIST						

DIESE ZEICHNUNG IST EIN KONTROLLIERTES DOKUMENT.
 BEMASSUNGEN UND TOLERANZEN GEMAESS GPS (ISO STANDARDS).

THIS DRAWING IS A CONTROLLED DOCUMENT.
 DIMENSIONING AND TOLERANCING PER GPS (ISO STANDARDS).

DIMENSIONS: MASSEINHEITEN: MM	TOLERANCES UNLESS OTHERWISE SPECIFIED: ALLGEMEINTOLERANZEN	DWN T.VETTER 23JAN2009	 TE Connectivity
	0 PLC ±	CHK H.BRAUN 26JAN2009	
	1 PLC ±	APVD T.SCHNURPFIL 26JAN2009	
	2 PLC ±	PRODUCT SPEC PRODUKTSPEZ. 108-94485	
	3 PLC ±	APPLICATION SPEC VERARBEITUNGSSPEZ. 114-94369	NAME BULKHEAD HOUSING ASS'Y SERIES HC26, DESIGN METAL CIRCULAR HYBRID CONNECTOR
	4 PLC ±	WEIGHT GEWICHT -	SIZE A3
MATERIAL -	FINISH/OBERFLAECHE/FARBE -	SCALE MASSSTAB 2:1	CAGE CODE 00779
			DRAWING NO. ZEICHNUNGS-NR. G=1103436
			RESTRICTED TO NUR FUER -
			SHEET BLATT 1
			OF VON 1
			REV D4

CUSTOMER DRAWING /KUNDENZEICHNUNG