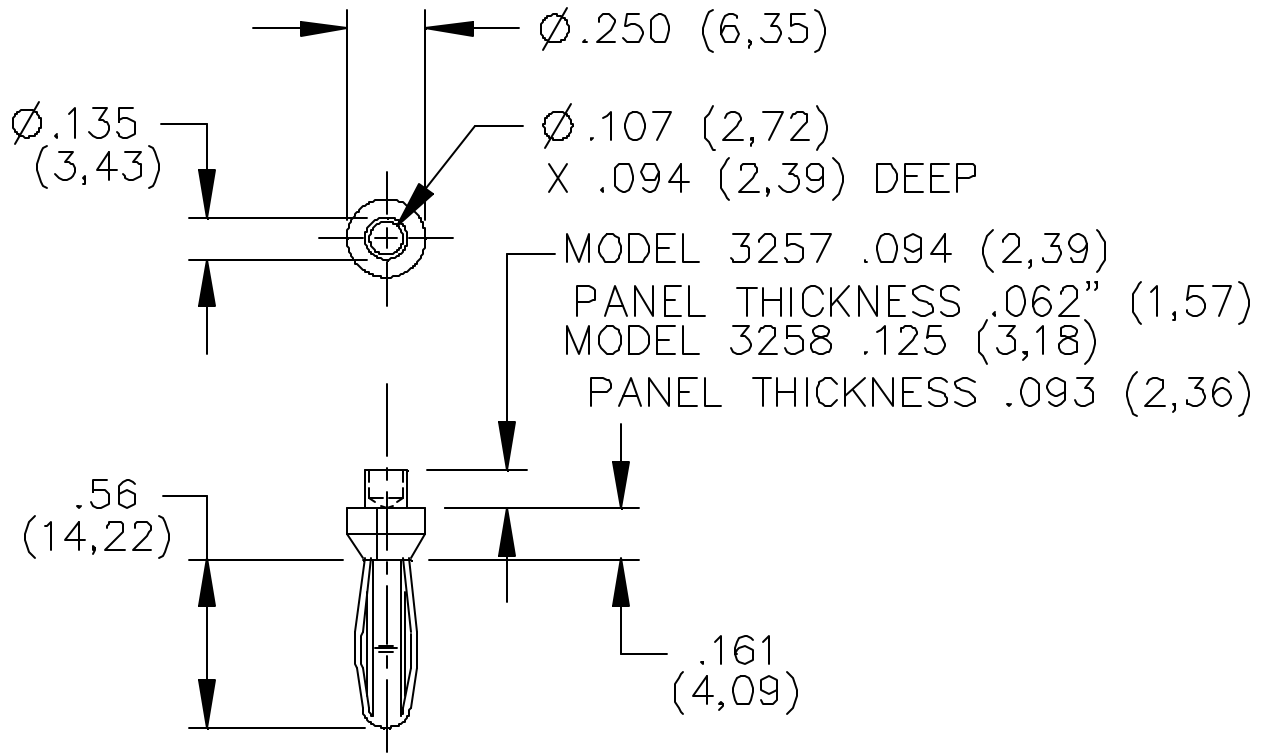


Model 3257 & 3258
Standard Rivet Type Banana Plug
For 1/16" Thick Panel



FEATURES:

- Excellent for riveting to panels or boards.
- Fits standard (.166 dia.) banana jack

MATERIALS:

Banana Plug Body: Brass, Alloy 360, Annealed
 Spring: Beryllium Copper, Berylco 25, Cond. H.T.
 Finish: Nickel plated per QQ-N-290, Class 2, 200/300 microinches

RATINGS:

Operating Voltage: 5000 VDC
 Current: 15 Amperes

ORDERING INFORMATION: Model 3257 & 3258

Sold in packages of 10

All dimensions are in inches. Tolerances (except noted): .xx = $\pm .02$ " (.51 mm), .xxx = $\pm .005$ " (.127 mm).
 All specifications are to the latest revisions. Specifications are subject to change without notice.
 Registered trademarks are the property of their respective companies.

Made in USA

Sales: 800-490-2361 Fax: 888-403-3360
Technical Assistance: 800-241-2060