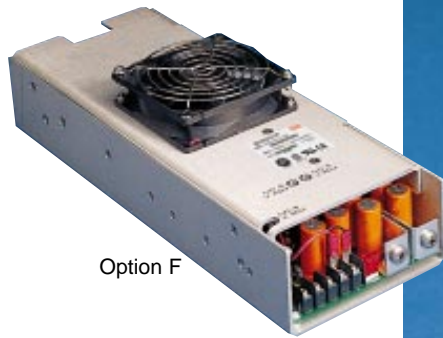


MAX-700
MAX-750
MSC-750



Option F



Featuring:

- Over 4 watts/in³ power density
- 80% overall efficiency
- VMEbus and Multibus II system compatibility
- Meets international safety agency requirements
- All outputs fully regulated $\pm 1\%$
- High peak current for motor starting
- AC automatic line selection option

Specify the appropriate MAX-700 or MAX-750 and get new design freedom for your high-end computer products. Use a system air cooled MAX-700, an optional self-cooled MAX-700 or standard self-cooled MAX-750. You can reduce your product size by replacing an 11" x 8" x 5" unit with a 58% smaller MAX-750. Build in power supply redundancy by replacing one ordinary switcher with two MAX-700s in the same space.

STANDARD MAX SERIES

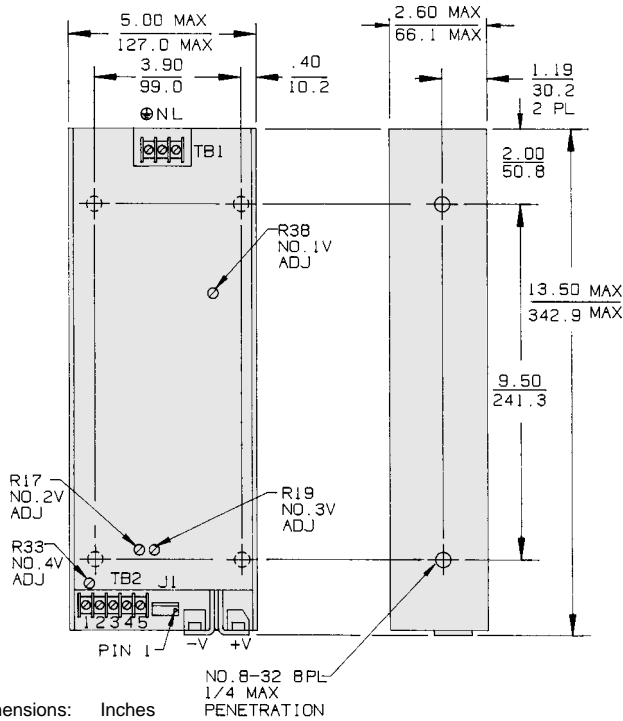
MODEL	PWR	OUTPUT #1	OUTPUT #2	OUTPUT #3	OUTPUT #4
MAX-703-0512	700	+5V @ 100A	+12V @ 12/20A pk	-12V @ 10A	
MAX-704-1205	700	+5V @ 100A	+12V @ 12/20A pk	-12V @ 10A	5.2V @ 2A
MAX-753-0512	750	+5V @ 120A	+12V @ 12/20A pk	-12V @ 10A	
MAX-754-1205	750	+5V @ 120A	+12V @ 12/20A pk	-12V @ 10A	5.2V @ 2A
MAX-754-1212	750	+5V @ 120A	+12V @ 12/20A pk	-12V @ 10A	12V @ 2A
MAX-754-1224	750	+5V @ 120A	+12V @ 12/20A pk	-12V @ 10A	+24V @ 2A
MAX-754-1252	750	+5V @ 120A	+12V @ 12/20A pk	-5.2V @ 10A	12V @ 2A

MASS STORAGE MSC SERIES

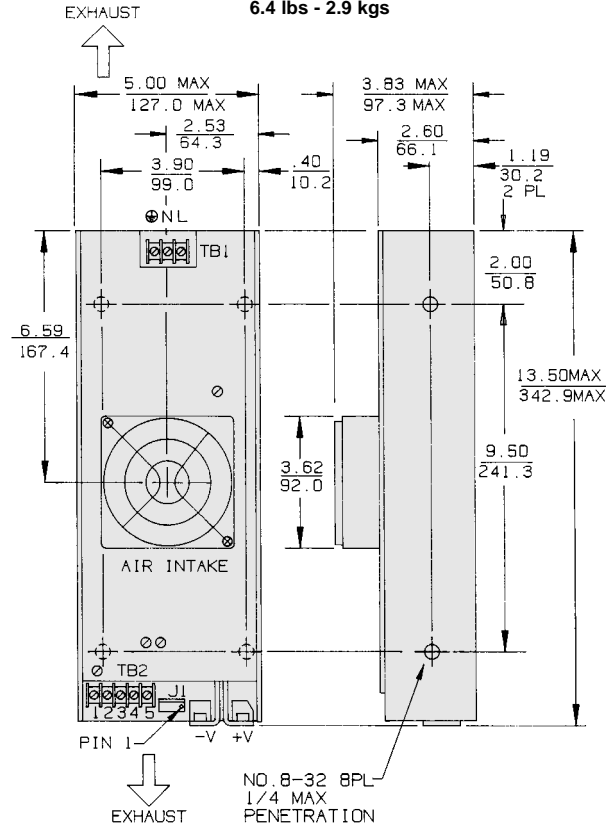
MODEL	PWR	OUTPUT #1	OUTPUT #2	OUTPUT #3
MSC-753-0512	750	+5V @ 120A	+12V @ 20/27A pk	-12V @ 6A

700, 750 WATTS
13.5" x 5" x 2.6"
MAX-700, 750 MSC-750

MAX-700
6.1 lbs - 2.8 kgs



MAX-700, MSC-750 with Option F, MAX-750,
6.4 lbs - 2.9 kgs



Dimensions: Inches
Millimeters

SPECIFICATIONS: ALL MODELS

INPUT

AC Input: 90-132 Vac/180-264 Vac, 47 to 63 Hz. User selectable. See option "A" for automatic line selection. Internally fused for 15 A.

Inrush: Cold start AC current is less than 90 A at 115 Vac and 30 A at 230 Vac. Limited by thermistor.

Holdup Time: 16 ms minimum after removal of power, at nominal line, full load.

Efficiency: 80% typical.

Brownout Protection: Holds regulation to 85 Vac or 170 Vac.

OUTPUT

Adjustability: User adjustable $\pm 5\%$ minimum.

Line & Load Reg: $\pm 1\%$ over AC input range and 0 to 100% load change. Output #1 requires minimum load of 10%.

Ripple & Noise: Less than 1% p-p or 100 mV, whichever is greater.

Remote Sense (Output #1): Compensates for 250 mV total line drop. Open sense lead protection.

Temperature Coefficient: 0.02% per degree C.

Stability: 0.1% over 8 hours after 30 minutes warm-up.

Transient Response (Output #1): Output voltage returns to within 1% in less than 500 μ s for a 50% load change. Peak transient does not exceed 5%.

Overload Protection: All outputs are protected against overload and short circuit. Automatic recovery upon removal of fault.

Overvoltage Protection (Output #1): Protects load against power supply induced overvoltage. Trip point is factory set so that output voltage cannot exceed 136% of nominal.

Remote Inhibit: Contact closure to the negative sense line drops output power to nominal zero.

Reverse Voltage: Protected against reverse voltage up to supply current rating.

ENVIRONMENTAL

Thermal Protection: Shuts down power supply if overheated. Automatic recovery.

Temperature Range: 0° to 50°C at full ratings. Derate to half power at 70°C.

Safety Agencies: Most models are approved to UL1950; CSA 22.2 #234; IEC 950 and TÜV EN60950, Class 1 SELV, CE 72/23/EEC/93/68EEC (low voltage directive).

Conducted RFI: Meets FCC Part 15, Subpart J, Class A; EN55022 Class B; CISPR 22 Class B.

Cooling: 30 CFM required to achieve full ratings.

Output Isolation: Isolated from ground 50 Vdc.

OPTIONS:

Option "A", AC Auto-Range: Automatically selects proper AC line voltage range to enable power operation at either 115 or 230 Vac without user intervention.

Option "F", Fan/Cover Assembly: Cover with integral ball-bearing fan provides proper cooling to achieve full ratings at 50°C ambient temperature.

Option "G", DC Power Good: Provides a TTL "1" open collector when output #1 is above 4.6 V nominal. Not available if option "P" is selected.

Option "P", AC Power Fail: Provides TTL "0" 5 ms before output voltage goes out of regulation band upon loss of AC power. VMEbus compatible, provides 48 mA sink current capability. Not available if option "G" is selected.

Consult factory for other available options.

AC INPUT

FUNCTION	115 VAC	230 VAC	CONNECTOR
Input Select	Short	Open	0.250 Male Faston
TB1- (L)	Line	Line 1	Barrier strip
TB1- (N)	Neutral	Line 2	# 6-32 screws
TB1- (G)	Safety Ground	Safety Ground	3/8" centers

DC OUTPUT

FUNCTION	LOCATION	NOTES	CONNECTOR
Output #1	Terminal marked +V	Main Output	Bus bars
	Terminal marked COM	Rtn (Common)	#1/4-20 screws
Output #2	TB2-3		Barrier strip #6-32 screws 3/8" centers
	TB2-4	Rtn (Common)	
Output #3	TB2-5		Barrier strip #6-32 screws 3/8" centers
	TB2-4	Rtn (Common)	
Output #4* (If provided)	TB2-1	(+)	Barrier strip #6-32 screws 3/8" centers
	TB2-2	(-)	

*Rtn connected to common only if output is polarized in product selection chart

STATUS AND CONTROL

FUNCTION	LOCATION	NOTES	CONNECTOR
Remote Sense	J1-1(+ S)	Output #1 Sense	AMP MTA type #640456-4 pin header (locking)
	J1-2(- S)	Output #1 Sense Rtn	
AC Power Fail, or DC Power Good*	J1-3 (PF)	Reference to J1-2	AMP MTA type #640456-4 pin header (locking)
Inhibit	J1-4 (IH)	Short to J1-2	

*Optional function